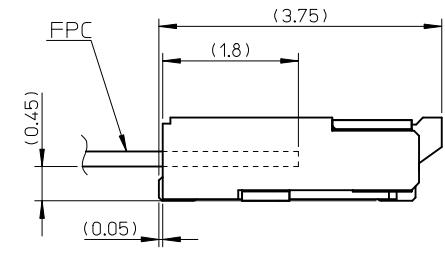
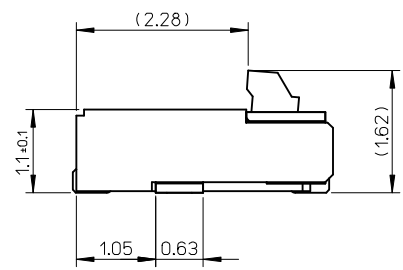


SECTION Z-Z SECTION Y-Y



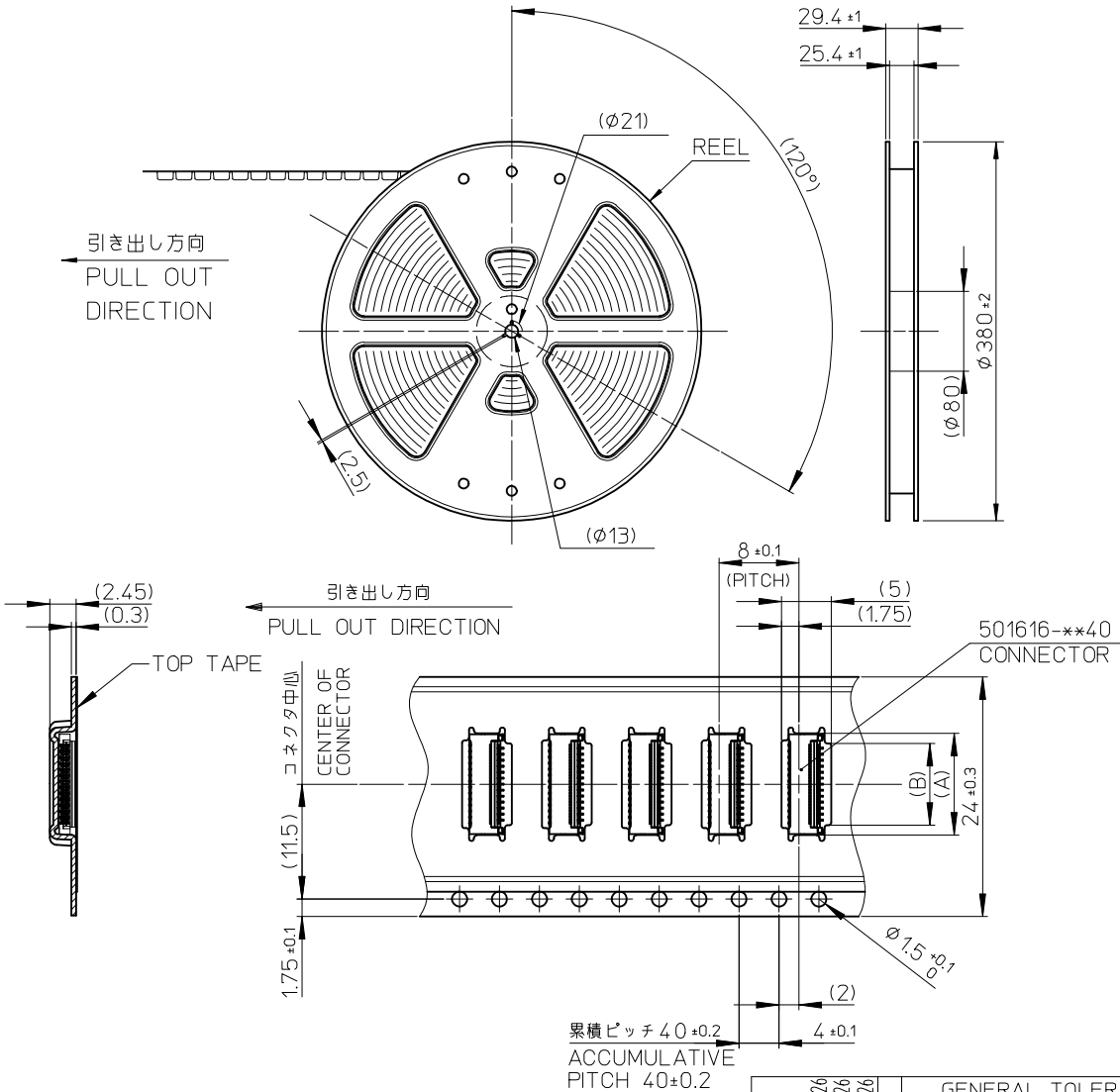
ACTUATOR CLOSE

部品構成

- ハウジング・・・材質：耐熱性樹脂 黒色 UL94V-0
HOUSING MATERIAL :HEAT RESISTANT POLYMER BLACK UL94-V0
- 奇数ターミナル・・・材質：銅合金
ODD TERMINAL MATERIAL :COPPER ALLOY
処理：ニッケル下地部分金メッキ（接触部及びテール部）
FINISH :PARTLY GOLD(CONTACT,TAIL) OVER NICKEL PLATING
- 偶数ターミナル・・・材質：銅合金
EVEN TERMINAL MATERIAL:COPPER ALLOY
処理：ニッケル下地部分金メッキ（接触部及びテール部）
FINISH :PARTLY GOLD(CONTACT,TAIL) OVER NICKEL PLATING
- アクチュエータ・・・材質：耐熱性樹脂 灰色 UL94V-0
ACTUATOR MATERIAL :HEAT RESISTANT POLYMER GRAY UL94-V0
- ネイル・・・材質：銅合金
NAIL MATERIAL:COPPER ALLOY
処理：ニッケル下地すずめっき
FINISH :TIN OVER NICKEL PLATING

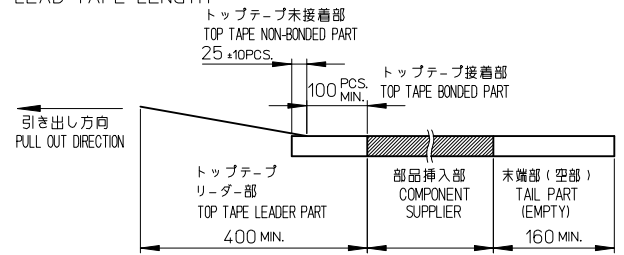
9.0	9.2	7.8	8.4	10.6	501616-2975	501616-2940	29
8.4	8.6	7.2	7.8	10.0	501616-2775	501616-2740	27
7.8	8.0	6.6	7.2	9.4	501616-2575	501616-2540	25
6.0	6.2	4.8	5.4	7.6	501616-1975	501616-1940	19
E	D	(C)	(B)	A	EMBOSSED TAPE ORDER No.		MATERIAL NO. CIRCUIT

REVISED EC NO: J2015-1263 DRWN: TAKAHASHI 04 2015/03/27 CHKD: TAKAHASHI 2015/03/27 APPR: YNOGAWA 2015/03/30	GENERAL TOLERANCES (UNLESS SPECIFIED)		DIMENSION STYLE MM ONLY		SCALE 15:1	DESIGN UNITS METRIC	THIRD ANGLE PROJECTION
	0.25 UNDER	±0.03	DRAWN BY	DATE	TITLE		
	0.25 OVER 0.5 UNDER	±0.05	K. TAKAHASHI	2006/07/28	0.3 FPC CONN. ZIF E/O HSG ASSY (H=1.1)		
	0.5 OVER 1.0 UNDER	±0.1	CHECKED BY	DATE	DOCUMENT NO.		
	1.0 OVER 10 UNDER	±0.2	H. HIRATA	2006/07/28	SD-501616-005		
10 OVER 30 UNDER	±0.25	APPROVED BY	DATE	SHEET NO.			
30 OVER	±0.3	M. SASAO	2006/07/28	1 OF 2			
ANGULAR ±3 °		MATERIAL NO.		SEE CHART			
DRAFT WHERE APPLICABLE MUST REMAIN WITHIN DIMENSIONS		SIZE A3	THIS DRAWING CONTAINS INFORMATION THAT IS PROPRIETARY TO MOLEX INCORPORATED AND SHOULD NOT BE USED WITHOUT WRITTEN PERMISSION				



NOTES

- 製品 (501616-xx40) の詳細寸法については、図面 SD-501616-005 をご参照下さい。
IN THE PACKAGE, PART NO. 501616-xx40 DETAILED DIMENSIONS, REFER TO SALES DRAWING NO. SD-501616-005.
- 梱包数量 : 3000個/リール
NUMBER OF CONNECTORS : 3000 PCS/REEL
- リードテープ長さ
LEAD TAPE LENGTH



- 材料
キャリアテープ: ポリスチレン (PS)
トップテープ : PET, PE, PEF
リール : ポリスチレン (PS) <リサイクル材を含む>
MATERIAL
CARRIER TAPE : POLYSTYRENE (PS)
TOP TAPE : PET, PE, PEF
REEL : POLYSTYRENE (PS) <RECYCLE MATERIAL CONTAINED>
- ELV及びRoHS適合品
ELV AND RoHS COMPLIANT

8.8	10.8	501616-2975	29
8.2	10.2	501616-2775	27
7.6	9.6	501616-2575	25
5.8	7.8	501616-1975	19
B	A	EMBOSSED PACKAGE オーダー番号 ORDER No.	極数 CIRCUIT

エンボステープ内の製品の向き
DIRECTION OF CONNECTOR IN
EMBOSSD TAPE

REVISED EC NO: J2009-1784 DRWN:MKAWABATA 2009/01/26 CHKD:HSHINOYAMA 2009/01/26 APPR:HSHINOYAMA 2009/01/26 REV A	GENERAL TOLERANCES (UNLESS SPECIFIED)		DIMENSION STYLE MM ONLY		SCALE ---	DESIGN UNITS METRIC		THIRD ANGLE PROJECTION	
	10 UNDER	± ---	DRAWN BY K. TAKAHASHI	DATE 2006/7/28	TITLE 0.3 FPC CONN. B/F EMBSTP PKG H=1.1				
	10 OVER 30 UNDER	± ---	CHECKED BY H. HIRATA	DATE 2006/7/28	MOLEX INCORPORATED				
	30 OVER	± ---	APPROVED BY M. SASAO	DATE 2006/7/28	DOCUMENT NO. SD-501616-006				
ANGULAR ± --- °		DRAFT WHERE APPLICABLE MUST REMAIN WITHIN DIMENSIONS		MATERIAL NO. SEE CHART		SHEET NO. 1 OF 1		THIS DRAWING CONTAINS INFORMATION THAT IS PROPRIETARY TO MOLEX INCORPORATED AND SHOULD NOT BE USED WITHOUT WRITTEN PERMISSION	