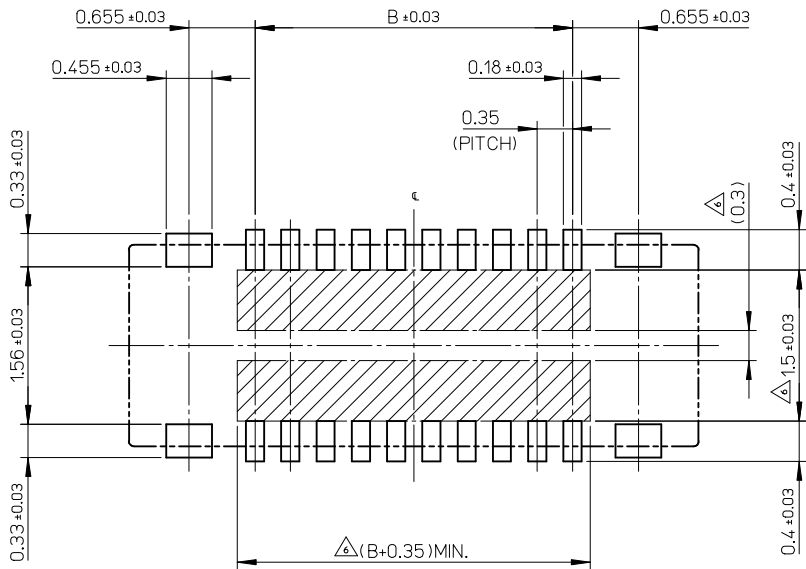


11.90	14.40	504618-7070	o	---	70
10.85	13.35	504618-6470	o	---	64
10.15	12.65	504618-6070	---	---	60
9.10	11.60	504618-5410	---	---	54
8.40	10.90	504618-5070	o	---	50
8.05	10.55	504618-4870	---	---	48
7.00	9.50	504618-4270	---	---	42
6.65	9.15	504618-4070	o	---	40
5.60	8.10	504618-3470	o	---	34
4.90	7.40	504618-3070	o	---	30
3.85	6.35	504618-2470	o	---	24
3.15	5.65	504618-2070	o	---	20
2.80	5.30	504618-1870	---	---	18
2.45	4.95	504618-1670	---	---	16
1.75	4.25	504618-1270	---	---	12
1.40	3.90	504618-1070	o	---	10
0.70	3.20	504618-0670	---	---	6
B	A	EMBOSSSED TAPE PACKAGE	HIGH VOL. TOOL	LOW VOL. TOOL	CIRCUIT
ORDER NO.		SAMPLE PREPARATION o : TOOLED Δ : WORK IN PROCESS --- : TOOLING TO BE CONFIRMED			

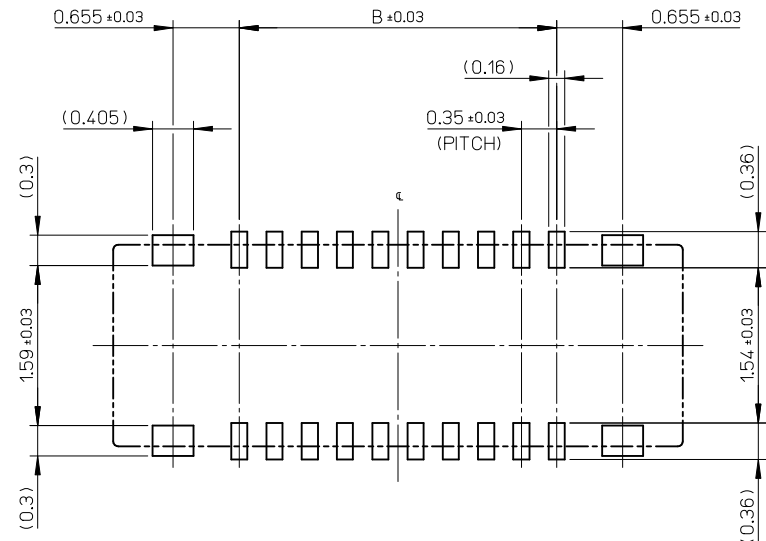
NOTES

- MATERIAL
HOUSING : LIQUID CRYSTAL POLYMER UL94V-0(COLOR : BLACK)
TERMINAL : COPPER ALLOY
FITTING NAIL : COPPER ALLOY
- PLATING
TERMINAL
GOLD
UNDER PLATING : NICKEL
*DIVIDE INTO PARTS THE GOLD PLATING OF THE CONTACT AND THE TAIL PART BY THE NICKEL PLATING.
FITTING NAIL
GOLD
UNDER PLATING : NICKEL
- APPLY FOR (CIRCUIT/2)=EVEN.
- MATE WITH : 504622-**10
- TAIL AND FITTING NAIL COPLANARITY TO BE 0.08MAXIMUM.
- PROHIBITED AREA OF PATTERN WIRING AND SOLDER.
(FOR EACH AREA, THE WIRING THAT TOUCHES ON THE SOLDER CAN BE ATTACHED, THEN COVERED WITH A FILM TO KEEP SOLDER OUT.)
- ELV and RoHS COMPLIANT.
- ELECTRIC SPEC OF FITTING NAIL IS NOT GUARANTEED WHEN MATED.

REVISED EC NO: J2015-0660 DRWN:MYOSHIDA 2014/11/13 CHKD:RTAKEUCHI 2014/11/13 APPR:KMORIKAWA 2014/11/27	GENERAL TOLERANCES (UNLESS SPECIFIED)		DIMENSION STYLE MM ONLY	SCALE 20:1	DESIGN UNITS METRIC	THIRD ANGLE PROJECTION
	10 UNDER	± 0.2	DRAWN BY HON001	DATE 2014/02/24	TITLE 0.35 BB CONN. H=0.6 SSB6 REC. ASSY CHECKER TYPE	
	10 OVER 30 UNDER	± 0.25	CHECKED BY RTAKEUCHI	DATE 2014/02/24		
	30 OVER	± 0.3	APPROVED BY KMORIKAWA	DATE 2014/08/11		
REV	DESCRIPTION	ANGULAR ±1 °	MATERIAL NO.	DOCUMENT NO.	SHEET NO.	
		DRAFT WHERE APPLICABLE MUST REMAIN WITHIN DIMENSIONS	SEE CHART	SD-504618-003	1 OF 2	
SIZE A3 THIS DRAWING CONTAINS INFORMATION THAT IS PROPRIETARY TO MOLEX INCORPORATED AND SHOULD NOT BE USED WITHOUT WRITTEN PERMISSION						

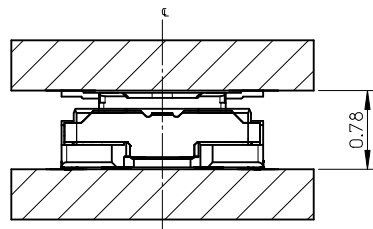


RECOMMENDED P.W.BOARD PATTERN LAYOUT(REFERENCE)



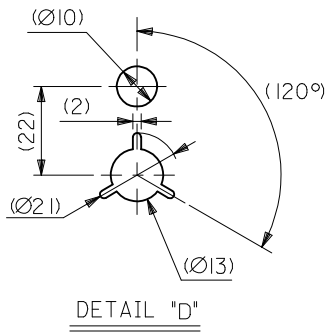
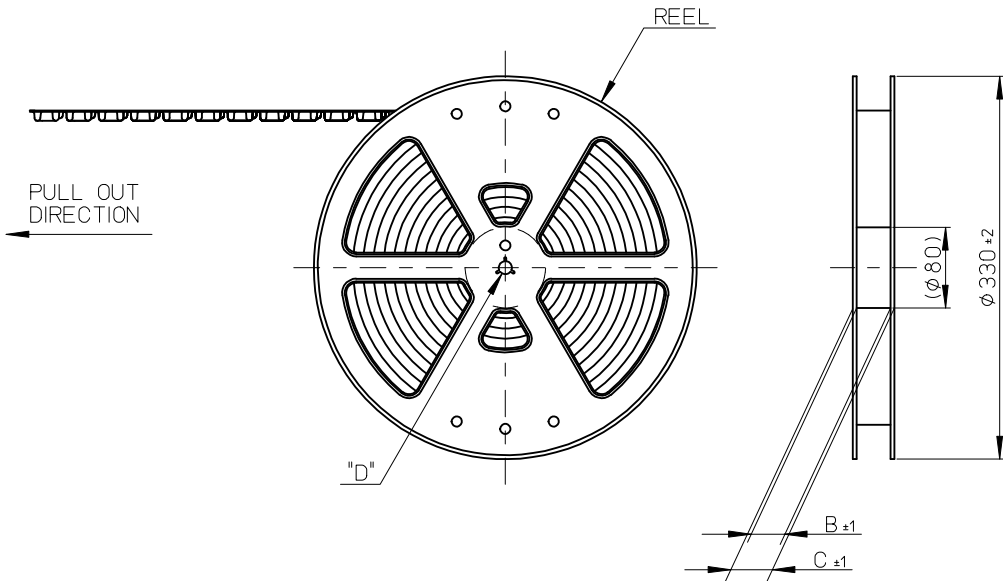
RECOMMENDED METAL MASK LAYOUT(REFERENCE)

RECOMMENDED THICKNESS OF METAL MASK : t=0.08mm
 RECOMMENDED OPEN APERTURE RATIO OF METAL MASK : 80%



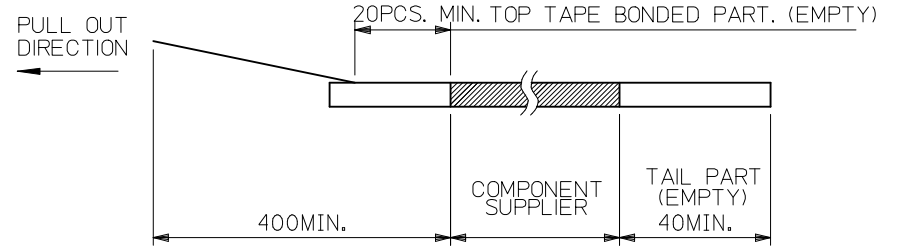
MATED CONDITION

REVISED EC NO: J2015-0660 DRWN:MYOSHIDA 2014/11/13 CHKD:RTAKEUCHI 2014/11/13 APPR:KMORIKAWA 2014/11/27	GENERAL TOLERANCES (UNLESS SPECIFIED)		DIMENSION STYLE MM ONLY	SCALE 20:1	DESIGN UNITS METRIC	THIRD ANGLE PROJECTION
	10 UNDER	± 0.2	DRAWN BY HON001	DATE 2014/02/24	TITLE 0.35 BB CONN. H=0.6 SSB6 REC. ASSY CHECKER TYPE	
	10 OVER 30 UNDER	± 0.25	CHECKED BY RTAKEUCHI	DATE 2014/02/24		
	30 OVER	± 0.3	APPROVED BY KMORIKAWA	DATE 2014/08/11		
ANGULAR	± 1 °	MATERIAL NO. SEE SHEET 1		DOCUMENT NO. SD-504618-003	SHEET NO. 2 OF 2	
DRAFT WHERE APPLICABLE MUST REMAIN WITHIN DIMENSIONS		THIS DRAWING CONTAINS INFORMATION THAT IS PROPRIETARY TO MOLEX INCORPORATED AND SHOULD NOT BE USED WITHOUT WRITTEN PERMISSION				



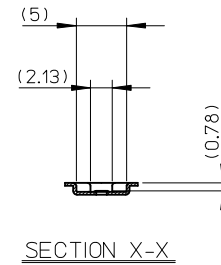
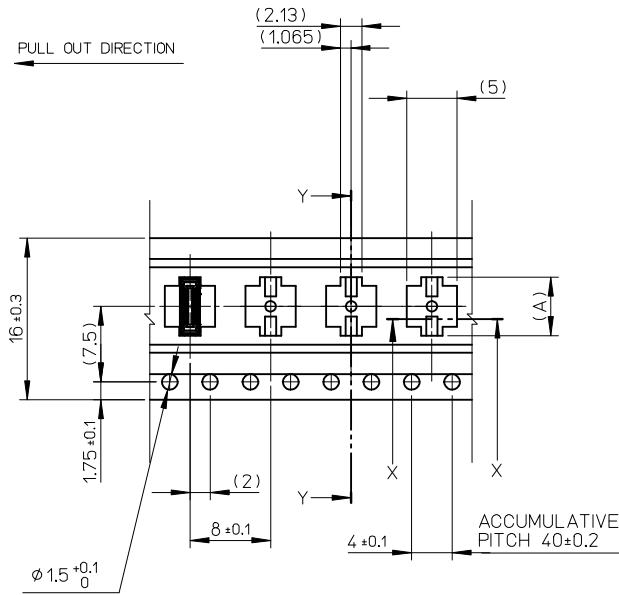
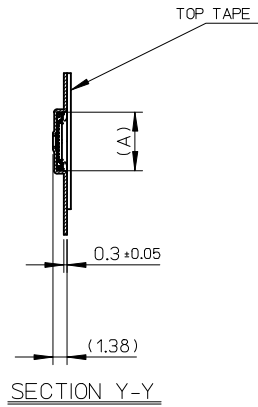
NOTES

1. RE DETAILED DIMENSION, SEE PRODUCT DRAWING.
2. NUMBER OF CONNECTORS : 3000PCS/REEL
3. LEAD TAPE LENGTH



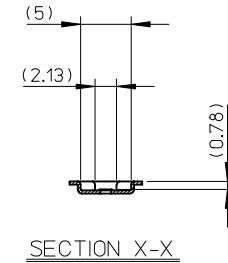
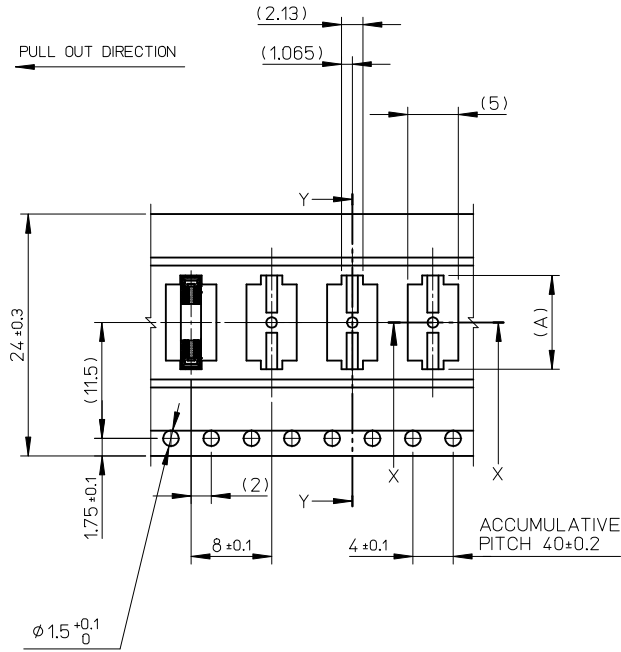
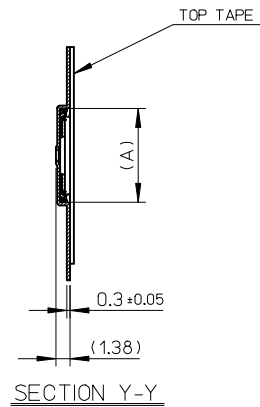
4. TOP TAPE PEEL FORCE IS DEFINED BY IEC60286-3.
5. MATERIAL
CARRIER TAPE : POLYSTYRENE
TOP TAPE : PET , OTHER
REEL : POLYSTYRENE (PS) <RECYCLE MATERIAL CONTAINED>
6. ELV AND RoHS COMPLIANT

REVISED EC NO: J2015-0660 DRWN:MYOSHIDA 2014/11/13 CHKD:RTAKEUCHI 2014/11/13 APPR:KMORIKAWA 2014/11/27	GENERAL TOLERANCES (UNLESS SPECIFIED)		DIMENSION STYLE	SCALE	MODEL NO.	504618-**-70	
	10 UNDER ±0.2		MM ONLY	1:5	DESIGN UNITS	METRIC	
	10 OVER 30 UNDER ±0.25		DRAWN BY	DATE	THIRD ANGLE PROJECTION		TITLE
	30 OVER ±0.3		HON001	2014/02/24	0.35 BB CONN. H=0.6 SSB6 REC. ASSY CHECKER TYPE EMBSTP PKG		
ANGULAR ±1 °		CHECKED BY	DATE				DOCUMENT NO.
DRAFT WHERE APPLICABLE MUST REMAIN WITHIN DIMENSIONS		RTAKEUCHI	2014/02/24				SD-504618-004
REVISION		APPROVED BY	DATE	SHEET NO.			1 OF 3
D		KMORIKAWA	2014/08/11	THIS DRAWING CONTAINS INFORMATION THAT IS PROPRIETARY TO MOLEX INCORPORATED AND SHOULD NOT BE USED WITHOUT WRITTEN PERMISSION			



16	21.4	17.4	7.54	504618-3070	o	---	30		
			6.49	504618-2470	o	---	24		
			5.79	504618-2070	o	---	20		
			5.44	504618-1870	---	---	18		
			5.09	504618-1670	---	---	16		
			4.39	504618-1270	---	---	12		
			4.04	504618-1070	o	---	10		
3.34	504618-0670	---	---	6					
キャリアテープ幅 CARRIER TAPE WIDTH			C	B	(A)	EMBOSSED TAPE PACKAGE	HIGH VOL. TOOL	LOW VOL. TOOL	CIRCUIT
			ORDER NO.		SAMPLE PREPARATION o : TOOLED Δ : WORK IN PROCESS --- : TOOLING TO BE CONFIRMED			CIRCUIT	

REVISED EC NO: J2015-0660 DRWN:MYOSHIDA 2014/11/13 CHKD:RTAKEUCHI 2014/11/13 APPR:KMORIKAWA 2014/11/27	DESCRIPTION REV	GENERAL TOLERANCES (UNLESS SPECIFIED)		DIMENSION STYLE MM ONLY		SCALE 2:1	DESIGN UNITS METRIC	THIRD ANGLE PROJECTION	
		10 UNDER	± 0.2	DRAWN BY HON001	DATE 2014/02/24	TITLE 0.35 BB CONN. H=0.6 SSB6 REC. ASSY CHECKER TYPE EMBSTP PKG			
		10 OVER 30 UNDER	± 0.25	CHECKED BY RTAKEUCHI	DATE 2014/02/24				
		30 OVER	± 0.3	APPROVED BY KMORIKAWA	DATE 2014/08/11				
ANGULAR ± 1 °		DRAFT WHERE APPLICABLE MUST REMAIN WITHIN DIMENSIONS		SEE CHART		THIS DRAWING CONTAINS INFORMATION THAT IS PROPRIETARY TO MOLEX INCORPORATED AND SHOULD NOT BE USED WITHOUT WRITTEN PERMISSION			



24	29.4	25.4	14.54	504618-7070	o	---	70		
			13.49	504618-6470	o	---	64		
			12.79	504618-6070	---	---	60		
			11.74	504618-5470	---	---	54		
			11.04	504618-5070	o	---	50		
			10.69	504618-4870	---	---	48		
			9.46	504618-4270	---	---	42		
			9.29	504618-4070	o	---	40		
8.24	504618-3470	o	---	34					
キャリアテープ幅 CARRIER TAPE WIDTH			C	B	(A)	EMBOSSED TAPE PACKAGE	HIGH VOL. TOOL	LOW VOL. TOOL	CIRCUIT
			ORDER NO.		SAMPLE PREPARATION o : TOOLED Δ : WORK IN PROCESS --- : TOOLING TO BE CONFIRMED				

REVISED EC NO: J2015-0660 DRWN:MYOSHIDA 2014/11/13 CHKD:RTAKEUCHI 2014/11/13 APPR:KMORIKAWA 2014/11/27	DESCRIPTION GENERAL TOLERANCES (UNLESS SPECIFIED) 10 UNDER ±0.2 10 OVER 30 UNDER ±0.25 30 OVER ±0.3 ANGULAR ±1° DRAFT WHERE APPLICABLE MUST REMAIN WITHIN DIMENSIONS	DIMENSION STYLE MM ONLY DRAWN BY HON001 DATE 2014/02/24 CHECKED BY RTAKEUCHI DATE 2014/02/24 APPROVED BY KMORIKAWA DATE 2014/08/11 MATERIAL NO.	SCALE 2:1 DESIGN UNITS METRIC THIRD ANGLE PROJECTION	TITLE		
				0.35 BB CONN. H=0.6		
				SSB6 REC. ASSY CHECKER		
				TYPE EMBSTP PKG		
D	REV	SIZE A3	SEE CHART		DOCUMENT NO. SD-504618-004	SHEET NO. 3 OF 3
			THIS DRAWING CONTAINS INFORMATION THAT IS PROPRIETARY TO MOLEX INCORPORATED AND SHOULD NOT BE USED WITHOUT WRITTEN PERMISSION			