

THIS DRAWING IS UNPUBLISHED. RELEASED FOR PUBLICATION 20
 © COPYRIGHT 20 BY TYCO ELECTRONICS CORPORATION. ALL RIGHTS RESERVED.

LOC	DIST	REVISIONS					
GP	00	P	LTR	DESCRIPTION	DATE	DWN	APVD
			A	RELEASED	12MAR07	RG	SF

1. PART NUMBER CHANGES AND OR DESIGN CHANGES AFFECTING ITEM INTERCHANGEABILITY REQUIRE PRIOR TYCO APPROVAL AND AUTHORIZATION BY REVISION TO THIS DRAWING.

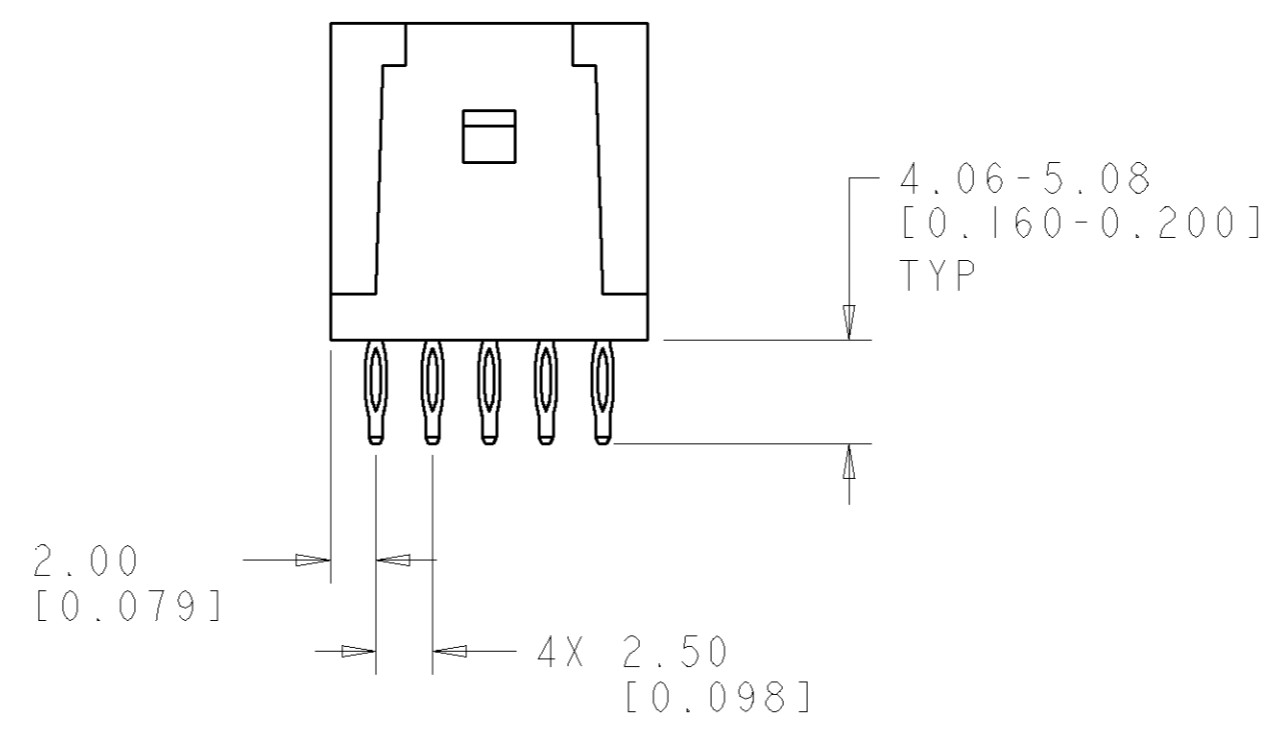
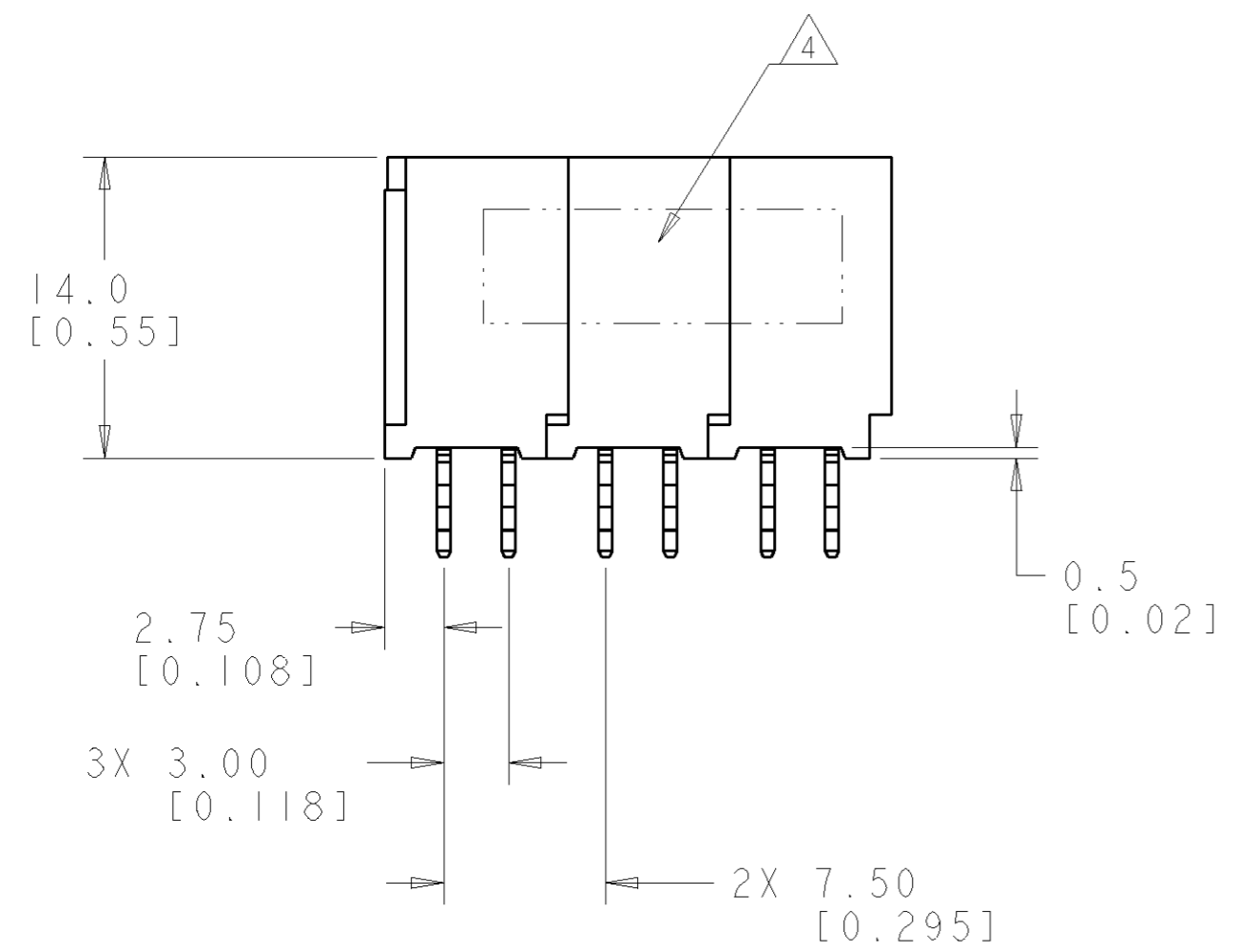
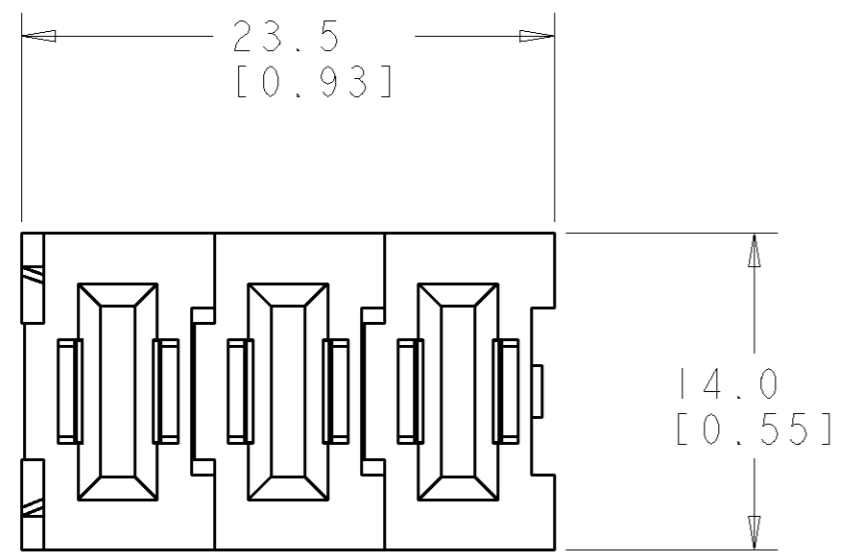
2. MATERIAL:
 INSULATORS - THERMOPLASTIC, GLASS REINFORCED, COLOR: BLACK UL94V-0 FLAMMABILITY RATED.
 CROWN BANDS - BERYLLIUM COPPER ALLOY
 COMPLIANT HOLDER - PHOSPHOR BRONZE

3. FINISH:
 CONTACTS - GOLD PLATE 0.76µM MIN. THK., OVER NICKEL 1.27µM MIN. THK.
 COMPLIANT TAIL, TIN 1.02µM MIN THK. OVER NICKEL 1.27µM MIN THK.



ITEMS PROVIDED TO THIS SPECIFICATION TO BE PERMANENTLY IDENTIFIED PER THE FOLLOWING IDENTIFIER LABEL

TYCO PART NO. XXXXXXXX-X DATE CODE (e.g. 0106) XXXX
 YEAR WEEK



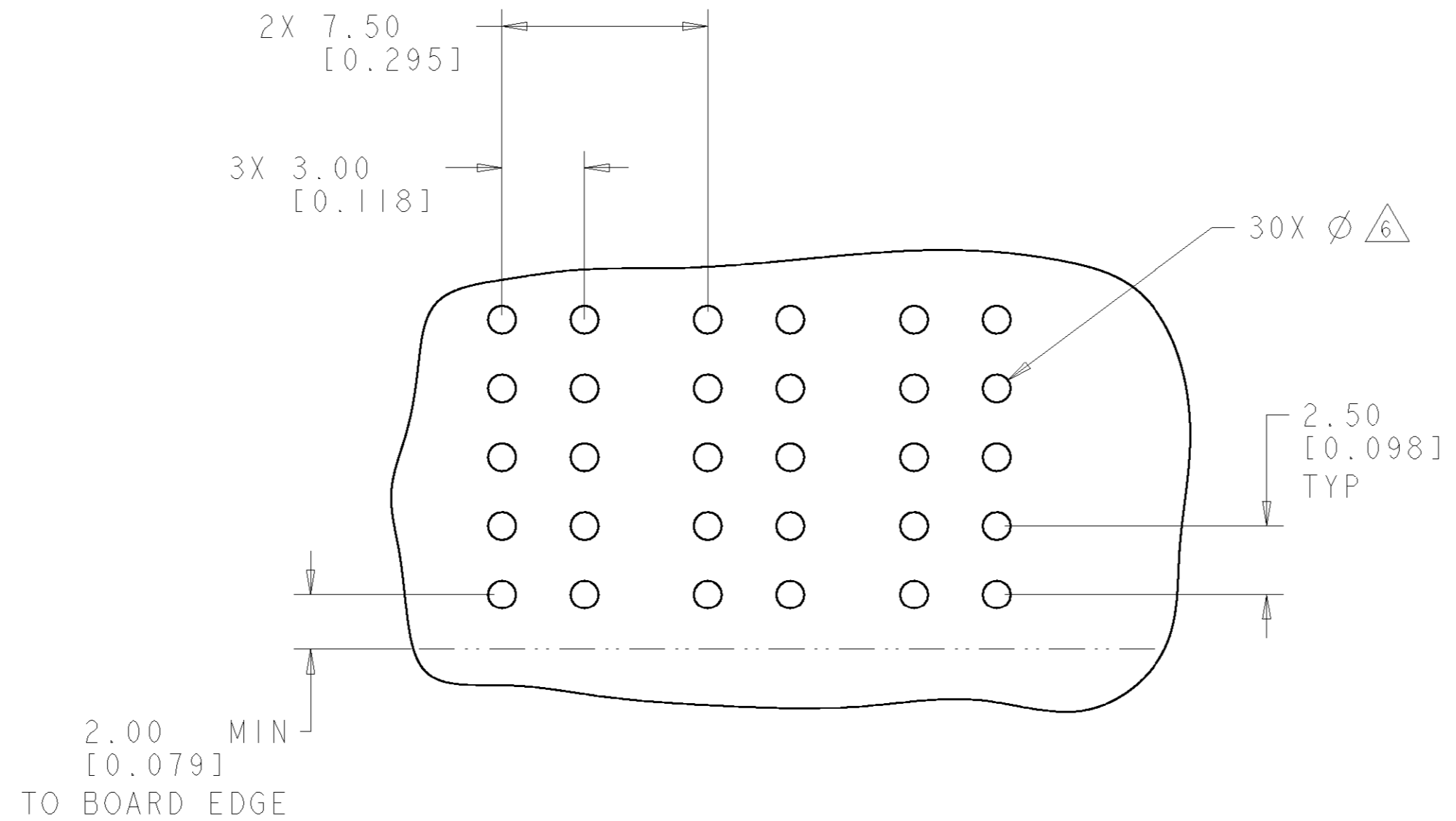
AS SHOWN	6646512-1
DESCRIPTION	PART NUMBER

THIS DRAWING IS A CONTROLLED DOCUMENT FOR TYCO ELECTRONICS CORPORATION. IT IS SUBJECT TO CHANGE AND THE CONTROLLING ENGINEERING ORGANIZATION SHOULD BE CONTACTED FOR THE LATEST REVISION.		DWN R. GRZYBOWSKI 12MAR07	Tyco Electronics Harrisburg, PA 17105-3608
DIMENSIONS: mm [INCHES]		CHK S. FLICKINGER 12MAR07	
TOLERANCES UNLESS OTHERWISE SPECIFIED:		APVD S. FLICKINGER 12MAR07	
0 PLC ±.5 1 PLC ±.5 2 PLC ±.25 3 PLC ±.5 4 PLC ±.5 ANGLES ±.5 FINISH		PRODUCT SPEC -	
MATERIAL -	APPLICATION SPEC -	WEIGHT -	NAME SOCKET CONNECTOR, STRAIGHT COMPLIANT TAILS FLATPAQ
CUSTOMER DRAWING		SIZE A2	RESTRICTED TO -
SCALE 4:1		CAGE CODE C-6646512	DRAWING NO. 6646512
SHEET 1 OF 3		REV A	

ELCON FLATPAQ

THIS DRAWING IS UNPUBLISHED. RELEASED FOR PUBLICATION 20
 © COPYRIGHT 20 BY TYCO ELECTRONICS CORPORATION. ALL RIGHTS RESERVED.

LOC	DIST	REVISIONS					
GP	00	P	LTR	DESCRIPTION	DATE	DWN	APVD
		-		SEE SHEET 1	-	-	-



PRINTED CIRCUIT LAYOUT
 COMPONENT SIDE
 SCALE 5:1

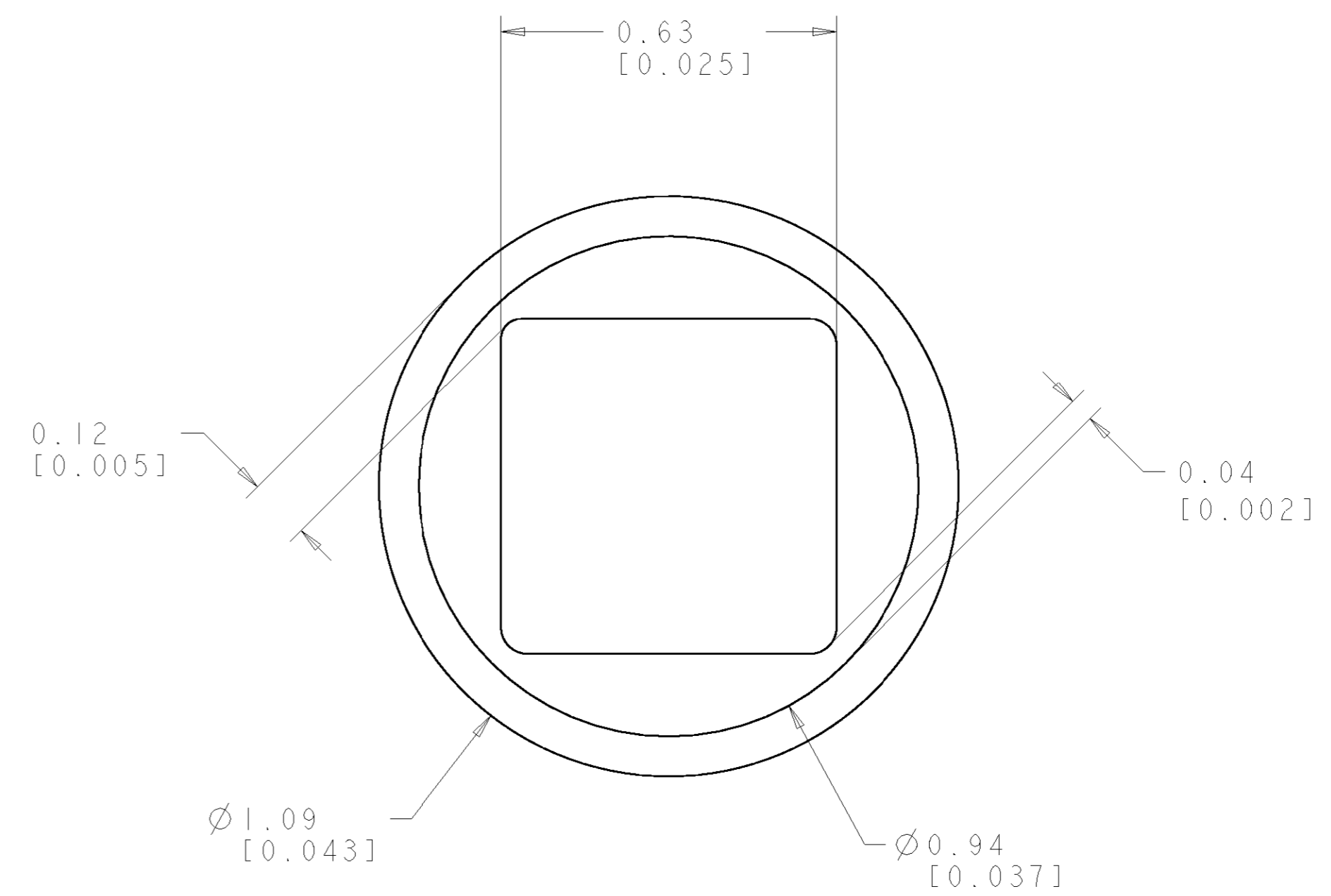
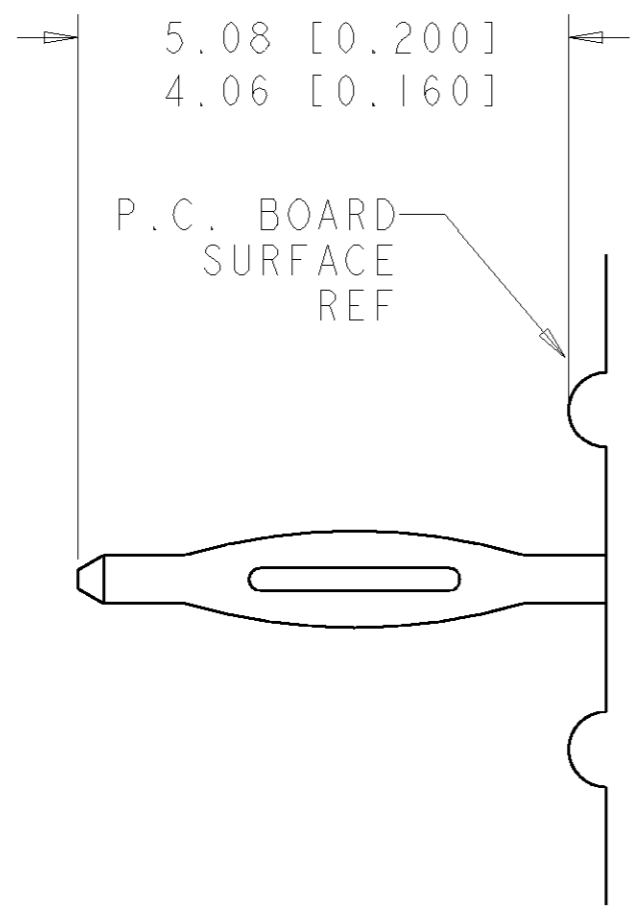
CONNECTOR	CATALOG MODULE #	QTY	SIZE NO.	CONTACT QTY	MAX. CURRENT (PER CONTACT)	CONTACT SPACING	VOLTAGE RATING
SOCKET	FP200	3	8	6	35 amps	7.50 [0.2953]	250

THIS DRAWING IS A CONTROLLED DOCUMENT FOR TYCO ELECTRONICS CORPORATION. IT IS SUBJECT TO CHANGE AND THE CONTROLLING ENGINEERING ORGANIZATION SHOULD BE CONTACTED FOR THE LATEST REVISION.

DWN R. GRZYBOWSKI 12MAR07	 Tyco Electronics Harrisburg, PA 17105-3608	NAME SOCKET CONNECTOR, STRAIGHT COMPLIANT TAILS FLATPAQ
CHK S. FLICKINGER 12MAR07		SIZE A2
APVD S. FLICKINGER 12MAR07		CAGE CODE 00779
PRODUCT SPEC - APPLICATION SPEC - WEIGHT -		DRAWING NO. 6646512
MATERIAL -	FINISH -	RESTRICTED TO -
CUSTOMER DRAWING		SCALE 4:1 SHEET 2 OF 3 REV A

THIS DRAWING IS UNPUBLISHED. RELEASED FOR PUBLICATION 20
 © COPYRIGHT 20 BY TYCO ELECTRONICS CORPORATION. ALL RIGHTS RESERVED.

LOC	DIST	REVISIONS			
P	LTR	DESCRIPTION	DATE	DWN	APVD
GP	00	-	SEE SHEET 1	-	-



5. COMPLIANT PIN DETAIL
 SCALE 10:1
 INSERTION/EXTRACTION FORCES
 MAXIMUM PUSH IN: 133.3N PER PIN [30 LBS]
 MINIMUM PUSH OUT: 44.4N PER PIN [10 LBS]

△ SOLDER TERMINATION AREA
 SCALE 40:1
 RECOMMENDED PRINTED CIRCUIT HOLE
 COMPLIANT PRESS FIT
 DRILLED HOLE: Ø 1.15 [0.0453] ± .013 [0.0005]
 COPPER PLATE .025 [0.0010] TO .050 [0.0020]
 TIN PLATE: .0005 [0.000020] MIN. (PER SURFACE)

<small>THIS DRAWING IS A CONTROLLED DOCUMENT FOR TYCO ELECTRONICS CORPORATION IT IS SUBJECT TO CHANGE AND THE CONTROLLING ENGINEERING ORGANIZATION SHOULD BE CONTACTED FOR THE LATEST REVISION.</small>		DWN R. GRZYBOWSKI 12MAR07 CHK S. FLICKINGER 12MAR07 APVD S. FLICKINGER 12MAR07	tyco Tyco Electronics Electronics Harrisburg, PA 17105-3608
DIMENSIONS: mm [INCHES]	TOLERANCES UNLESS OTHERWISE SPECIFIED: 0 PLC ±.5 1 PLC ±.5 2 PLC ±.25 3 PLC ±.5 4 PLC ±.5 ANGLES ±.5 FINISH	PRODUCT SPEC - APPLICATION SPEC - WEIGHT -	NAME SOCKET CONNECTOR, STRAIGHT COMPLIANT TAILS FLATPAQ SIZE A2 CAGE CODE 00779 DRAWING NO. 6646512 RESTRICTED TO -
MATERIAL -		CUSTOMER DRAWING	SCALE 4:1 SHEET 3 OF 3 REV A