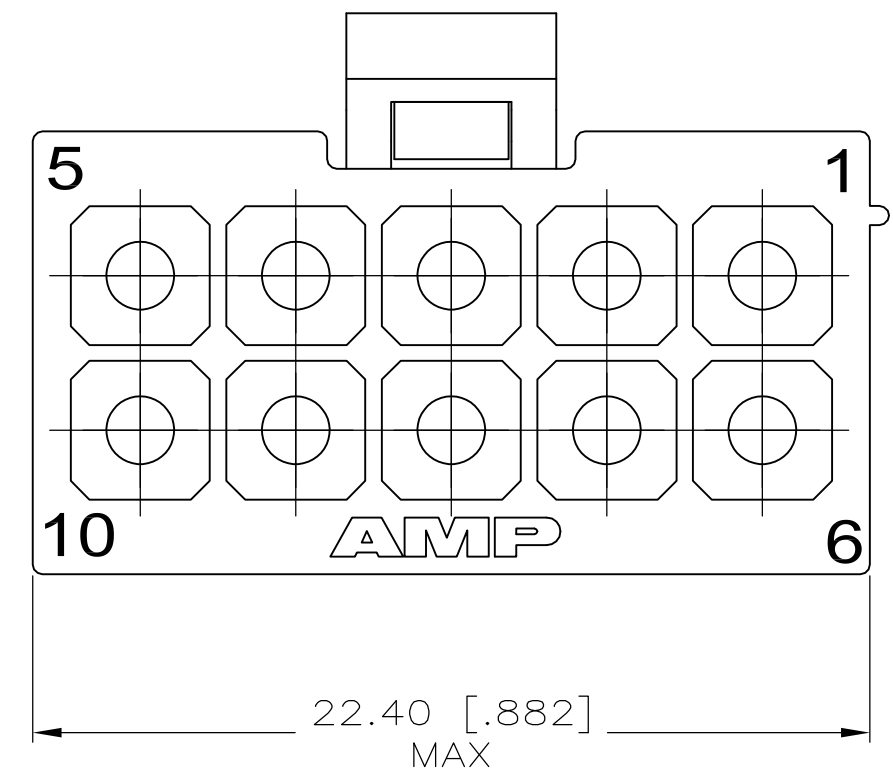
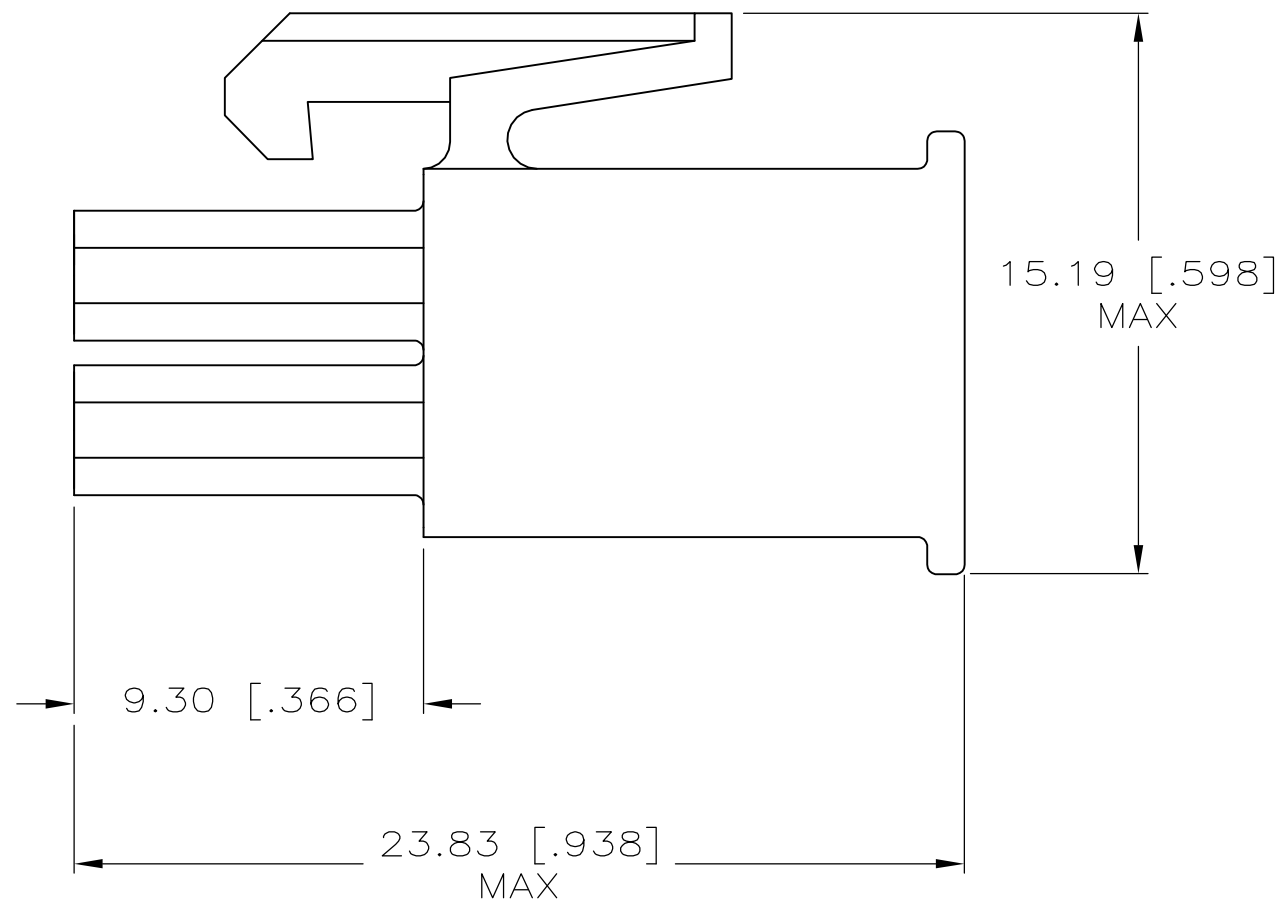
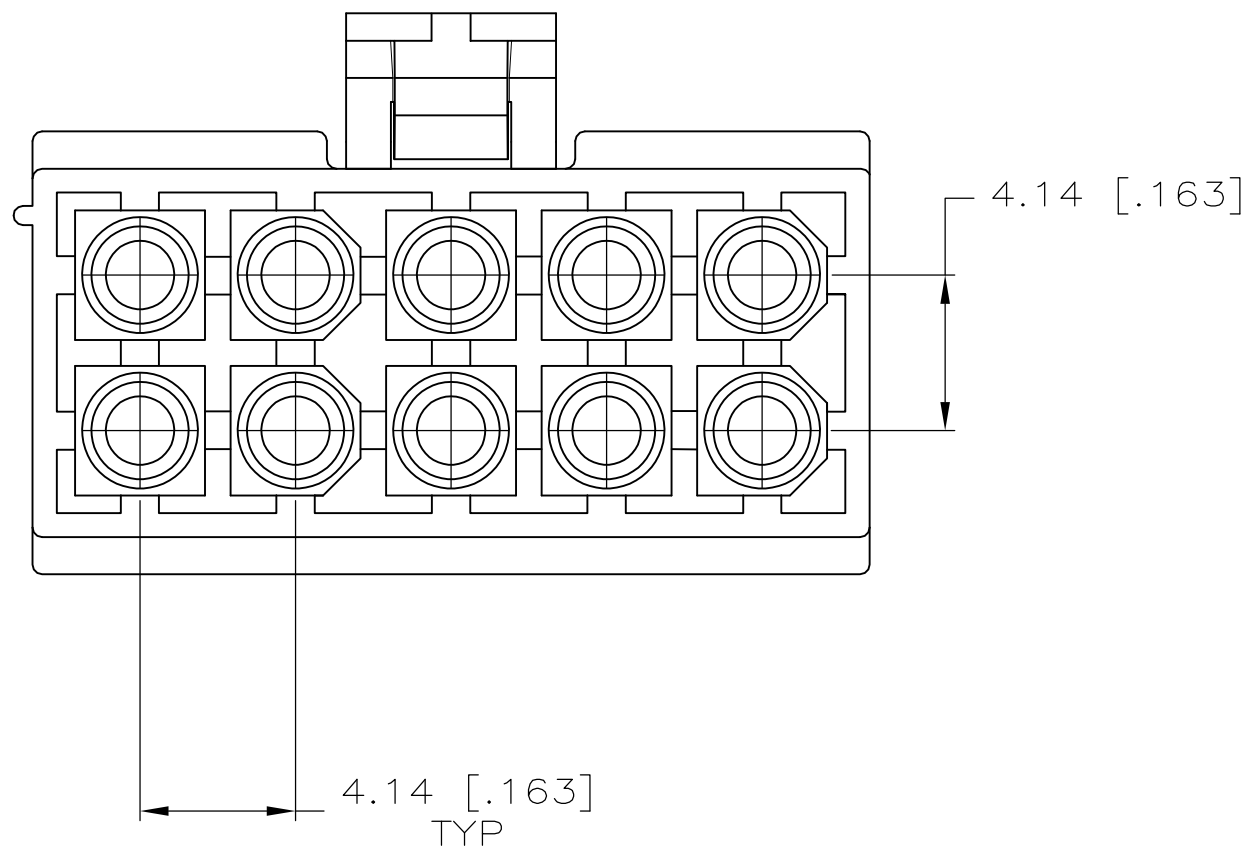


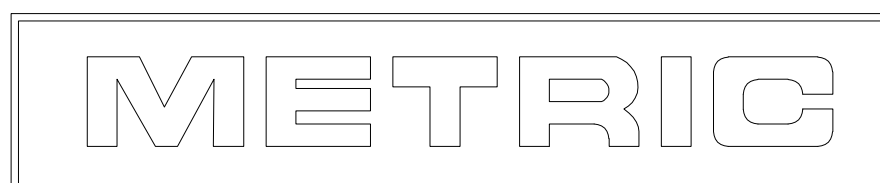
THIS DRAWING IS UNPUBLISHED. RELEASED FOR PUBLICATION
 © COPYRIGHT By - ALL RIGHTS RESERVED.

LOC		DIST		REVISIONS			
P	LTR	DESCRIPTION		DATE	DWN	APVD	
CM	00	G		REVISED PER ECR-15-001261	02-MAR-15	SC	KD

1. INDIVIDUAL CORING FEATURES AROUND BASES OF SILOS MAY NOT BE PRESENT IN ALL LOCATIONS SHOWN.



770580-1
PART NUMBER



THIS DRAWING IS A CONTROLLED DOCUMENT.		DWN S. HOOVER 12-MAY-2004	TE Connectivity	
DIMENSIONS: mm [INCHES]		CHK C. JONES 12-MAY-2004		
TOLERANCES UNLESS OTHERWISE SPECIFIED:		APVD C. JONES 12-MAY-2004	NAME	
0 PLC ±	1 PLC ±	PRODUCT SPEC	PLUG, 10 CIRCUIT, MINI UNIVERSAL MATE-N-LOK™	
2 PLC ±	3 PLC ± 0.13 [.005]	APPLICATION SPEC	SIZE	RESTRICTED TO
4 PLC ±	ANGLES ±	WEIGHT	A2	00779
MATERIAL NYLON, UL 94V-0 WHITE	FINISH	CUSTOMER DRAWING	C=770580	SCALE 5:1
			DRAWING NO	SHEET 1 OF 1
				REV G