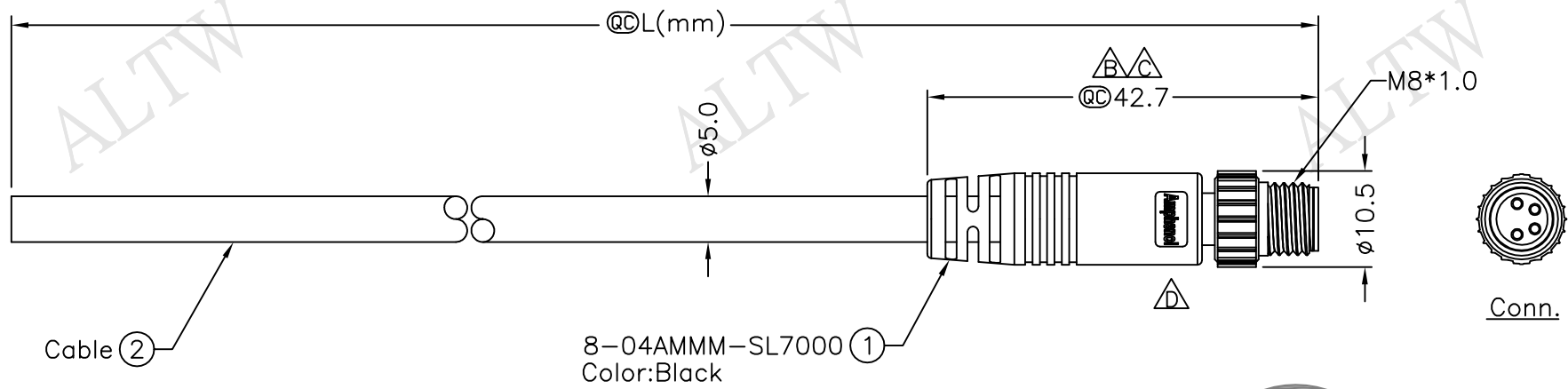


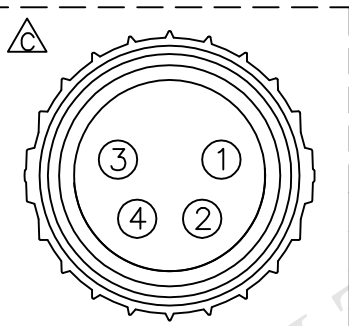
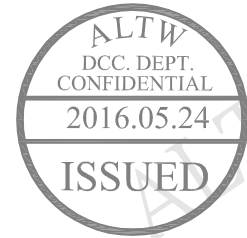
REV.	ECN NO.	DATE	SIGN	DESCRIPTION
B	LEN-860098~101	2008/05/10	Zhang Jin	Change 42.5 To 42.7.
C	LEN-920244~247	2009/02/04	Vicky	Update the drawing.
D	LEN1650516~519	2016/05/16	Vicky	Update Logo



Cable ②

8-04AMMM-SL7000 ①
Color:Black

8-04AMMM-SL7AXX
 XX:01~99Meters
 01:01Meter
 02:02Meters
 :
 :
 99:99Meters
 Cable Length(L):01~99Meters



Pin Assignments
Front View

4	Black	黑
3	Blue	藍
2	White	白
1	Brown	棕
Conn.	Wire Color	
	Pin Out	

- Note:
- * @C Important Dimension.
 - * Waterproof Rate:IP67.
 - * Connector:Black,PU.
 - * Male Pin:Copper Alloy,Gold Plated.
 - * Cable:UL2464 22AWG*4C+Talcum,Black, PVC Jacket,UV Resistant,OD=5.0mm.
 - * Cable Length Tolerance:
 - 01M:±40mm
 - 02M~05M:±60mm
 - 06M~10M:±100mm
 - 11M~30M:±200mm
 - 31M~99M:±500mm

UNIT:mm	
TOLERANCE	±0.5 mm

TITLE	M8 Conn	
	Cable Screw 4P M Conn M Pin	
SCALE	Free	SHEET 1 OF 1
REV.	D	SIZE A4
		@C :Inspection Item

Amphenol LTW
安費諾亮泰企業股份有限公司

ITEM NO	DRAWN BY	DATE
DWG NO	CHECKED BY	DATE
CUSTOMER	APPROVED BY	DATE

8 FMW0702-01-01A2

THIS DOCUMENT IS SUBJECT TO CHANGE WITHOUT NOTICE. IT IS CONFIDENTIAL AND A PROPERTY OF Amphenol LTW. DISCLOSURE TO THIRD PARTY HAS TO BE AUTHORIZED BY Amphenol LTW.