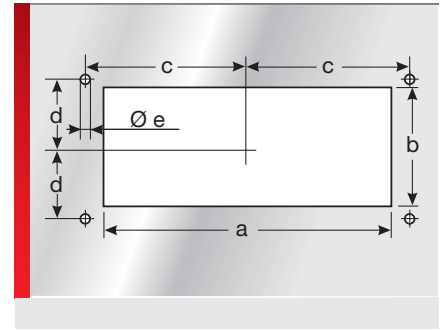
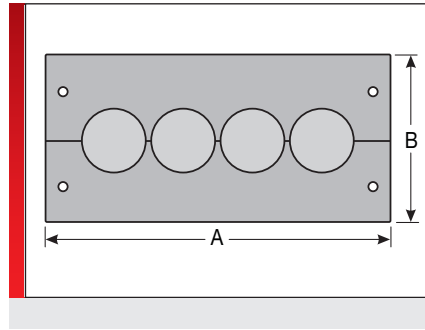
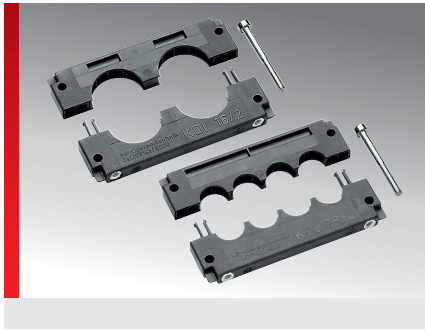


Cable entry system, type KDL



KDL cable entry system

PRODUCT INFORMATION

The KDL is a cable entry system for inserting pre-assembled cables. The types KDL 16 / xx fit on cut-outs for 16-pin connectors, the types KDL 24 /xx fit on cut-outs for 24-pin connectors, from Harting or Wieland.

- Simple mounting of pre-assembled

- cables
- Fits standard cut-outs
- Simple strain relief for cables using cable ties
- EMC solution with discharge plate, simple realisation

SPECIFICATIONS

- Polyamide 6.6
- IP 54 (with suitable grommets and cables)
- 40 – 80 °C transient / short term 100 °C
- V0

Made in Germany

Type	Order No.	Colour	No. of openings small / large	Pack qty.
For standard cut-out size 16				
KDL 16/2 ¹⁾	87171010	Black	0 / 2	1
KDL 16/4 ¹⁾	87171012	Black	4 / 0	1
KDL 16/2 ¹⁾	87171050	Grey	0 / 2	1
KDL 16/4 ¹⁾	87171052	Grey	4 / 0	1
For standard cut-out size 24				
KDL 24/3 ²⁾	87171014	Black	1 / 2	1
KDL 24/5 ²⁾	87171016	Black	5 / 0	1
KDL 24/3 ²⁾	87171054	Grey	1 / 2	1
KDL 24/5 ²⁾	87171056	Grey	5 / 0	1
Enlarged cut-out for 10 – 30 cables				
KDL 2/10	87171017	Black	10 / 0	1
KDL 2/10	87171057	Grey	10 / 0	1
KDL 3/15	87171018	Black	15 / 0	1

¹⁾ Replacement seal KDL16 87980005

²⁾ Replacement seal KDL24 87980004

Cable entry system, type KDL

DIMENSION TABLE

Type	Order No.	Installation height mm	A mm	B mm	a mm	b mm	c mm	d mm	e mm
For standard cut-out size 16									
KDL 16/2 ¹⁾	87171010	10.00	116.00	58.00	86.00	36.00	51.50	16.00	5.50
KDL 16/4 ¹⁾	87171012	10.00	116.00	58.00	86.00	36.00	51.50	16.00	5.50
KDL 16/2 ¹⁾	87171050	10.00	116.00	58.00	86.00	36.00	51.50	16.00	5.50
KDL 16/4 ¹⁾	87171052	10.00	116.00	58.00	86.00	36.00	51.50	16.00	5.50
For standard cut-out size 24									
KDL 24/3 ²⁾	87171014	10.00	146.00	58.00	112.00	36.00	65.00	16.00	5.50
KDL 24/5 ²⁾	87171016	10.00	146.00	58.00	112.00	36.00	65.00	16.00	5.50
KDL 24/3 ²⁾	87171054	10.00	146.00	58.00	112.00	36.00	65.00	16.00	5.50
KDL 24/5 ²⁾	87171056	10.00	146.00	58.00	112.00	36.00	65.00	16.00	5.50
Enlarged cut-out for 10 – 30 cables									
KDL 2/10	87171017	10.00	146.00	90.00	120.00	60.00	65.00	32.00	5.50
KDL 2/10	87171057	10.00	146.00	90.00	120.00	60.00	65.00	32.00	5.50
KDL 3/15	87171018	10.00	146.00	122.00	120.00	96.00	65.00	48.00	5.50
¹⁾ Replacement seal KDL16 87980005									
²⁾ Replacement seal KDL24 87980004									

MATERIAL PROPERTIES



Polyamide 6.6

MECHANICAL PROPERTIES



Protection class

IP 54 (with suitable grommets and cables)

THERMAL PROPERTIES



Temperature / temperature range

-40 – 80 °C transient / short term 100 °C

Cable entry system, type KDL

FIRE BEHAVIOUR

 **Fire classification**
V0

APPROVALS AND OPERATING PERMITS

 **DB approval**

 **GL approval**

 **SNCF approval**

TECHNICAL INFORMATION

 **LABS free**

 **UV-resistant**

CONFORMITY

 **RoHS (EC Directive 2002/95/EC)**

GENERAL INFORMATION

 **Made in Germany**

All details given in our sales material prospectuses and catalogues as well as the information available online are based on our current knowledge of the products described.

The electronic data and files made available by Murrplastik, particularly CAD files are based on our current knowledge of the product described.

A legally binding assurance of certain properties or the suitability for a certain purpose can not be determined from this information.

All information with respect to the chemical and physical properties of Murrplastik products as well as application advice given verbally, in writing or by tests, is given to the best of our knowledge.

This does not free the purchaser of carrying out their own inspections and tests in order to determine the suitability of a product for a specific purpose.

Murrplastik accepts no responsibility for the available information being up-to-date, correct or complete. Neither do we accept responsibility for the quality of this information.

Murrplastik accepts no liability for damage caused as a result of using our products.

Murrplastik reserves the right to make technical changes and improvements through constant further development of products and services.

Our General Terms and Conditions apply.

© Murrplastik Systemtechnik GmbH • proID_74312~20170620~890287~kdh_kdl