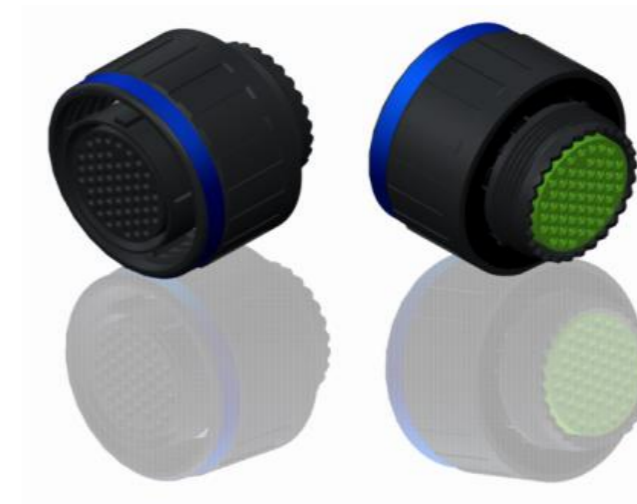
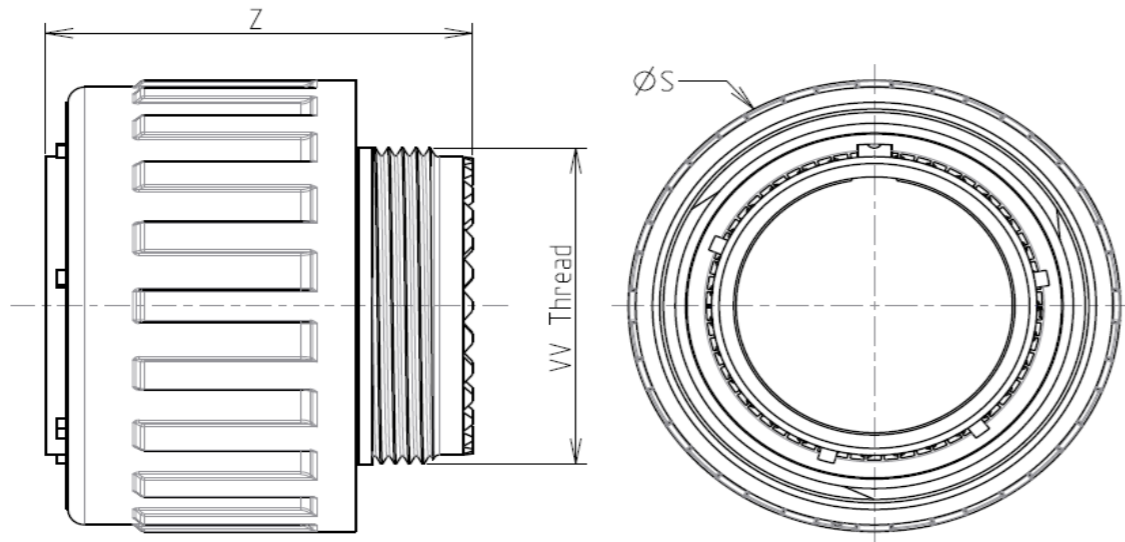


H G F E D C B A



LAYOUT SHOWN AS EXAMPLE

Keying Shown as example

**CHARACTERISTICS**

- Standard : Based on MIL-DTL-38999 Series III
- Shell Material : Composite
- Shell Plating : Without Plating
- Insulator : Thermoplastic
- Contacts : Copper Alloy
- Seals & Grommet : Silicon Elastomer
- Contact Plating : Gold over copper Alloy 0.8µm minimum
- Durability : 500 Mating cycles
- Delivered without Souriau contacts
- Temperature Range : -65°C to +175°C
- Salt Spray : 2000 hours
- Mass : 14.1 g ± 10%

| Connector dimension |          |
|---------------------|----------|
| Dim                 | Nominal  |
| ØS                  | 25 Max   |
| Z                   | 31 Max   |
| VV THREAD           | M15x1-6g |

SOURIAU shall not be liable for any non-conformity or damage due to a use of the Products which does not comply with the Specifications issued by either of the Parties or by a third party (professional recommendation, technical notice.)

| Country | Jurisdiction & Control List |
|---------|-----------------------------|
| FR      | Not Listed                  |

**PN: 8D511X01SAL**

|   |                                     |                                |                               |
|---|-------------------------------------|--------------------------------|-------------------------------|
| A   | 18-10-2016                          | First Release                  |                               |
| ISS   | DATE                                | Latest modification - by       | MOD N°                        |
| Designed By:  |                                     | Date:                          | <b>CUSTOMER DRAWING</b>       |
| <b>TITLE</b>  |                                     | Composite Plug 8D series       |                               |
| SCALE   | NA                                  | General linear Tolerances: ±-- | NPRDS / PROJECT<br><b>859</b> |
| <b>SOURIAU</b>  |                                     | WWW.SOURIAU.COM                |                               |
| This document is the property of SOURIAU it must not be reproduced or communicated without permission |                                     |                                |                               |
| FORMAT  | <b>SOURIAU DRG N° 8D511X01SAL-C</b> |                                | SHEET<br>1/2                  |

|                |                         |   |   |    |                                    |    |   |   |   |                        |
|----------------|-------------------------|---|---|----|------------------------------------|----|---|---|---|------------------------|
| BASIC SERIES:  | 8D                      | 5 | - | 11 | X                                  | 01 | S | A | L | Delivered W/O Contacts |
| SHELL TYPE :   | Plug with RFI Shielding |   |   |    | ORIENTATION : A                    |    |   |   |   |                        |
| CONTACT TYPE : | Standard Crimp Contact  |   |   |    | CONTACT TYPE : SOCKET(500 Matings) |    |   |   |   |                        |
| SHELL SIZE :   | 11                      |   |   |    | CONTACT LAYOUT : 11-01             |    |   |   |   |                        |
| PLATING :      | X = Without Plating     |   |   |    |                                    |    |   |   |   |                        |

H G F E D C B A

Contact Layout

01



1#12

|       |   |   |
|-------|---|---|
| 11-01 |   |   |
| Ctc   | X | Y |
| A     | 0 | 0 |

SOURIAU shall not be liable for any non-conformity or damage due to a use of the Products which does not comply with the Specifications issued by either of the Parties or by a third party (professional recommendation, technical notice.)

|         |                             |
|---------|-----------------------------|
| Country | Jurisdiction & Control List |
| FR      | Not Listed                  |

PN: 8D511X01SAL

|                |                                     |                            |   |
|----------------|-------------------------------------|----------------------------|---|
| A              | 18-10-2016                          | First Release              |   |
| ISS            | DATE                                | Latest modification - by   | MOD N°  |
| Designed By:   |                                     | Date:                      | <b>CUSTOMER DRAWING</b>   |
| <b>TITLE</b>   | <b>Composite Plug 8D series</b>     |                            |   |
| SCALE          |                                     | General linear Tolerances: | NPRDS / PROJECT   |
| NA             |                                     | ±--                        | <b>859</b>  |
| <b>SOURIAU</b> | <b>WWW.SOURIAU.COM</b>              |                            | This document is the property of SOURIAU it must not be reproduced or communicated without permission |
| FORMAT         | <b>SOURIAU DRG N° 8D511X01SAL-C</b> |                            | SHEET<br>2/2  |