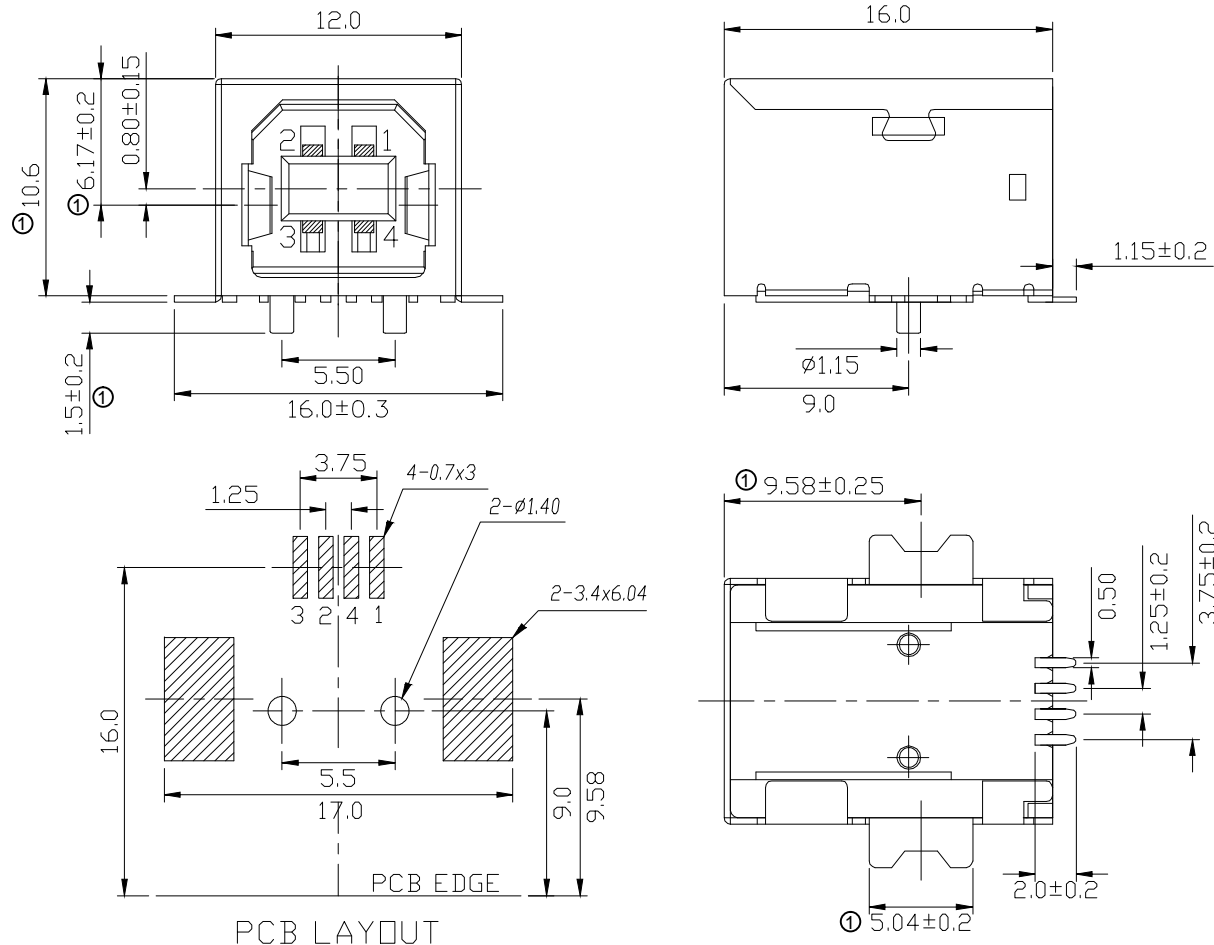


② **USB2.0 COMPLIANT**



NOTES:

1. Material:
 - ① 1.1 Housing: PBT+30%GF UL94V-0, White
 - 1.2 Shell: Brass
 - 1.3 Contact :Phosphor Bronze
2. FINISH:
 - 2.1 Contact Area: Selective 30u"Au
 - Solder Area: Tin Plated
 - Under: Ni Plated
3. MECHANICAL:
 - 3.1 Mating Force: 3.57kgf Max.
 - 3.2 Unmating Force: 1.02kgf Min
 - 3.3 Durability: 1500 cycles Min
4. ELECTRICAL:
 - 4.1 Current Rating: 1.5A
 - ① 4.2 Dielectric Strength: 750V AC For 1minute
 - 4.3 Contact Resistance: 30mΩ Max
 - 4.4 Insulation Resistance: 1000 MΩ Min
5. Operating temperature: -55°C TO +85°C
6. PACKIING: Tray

RoHS compliant

| Scale | Free | | | | | Date | Name | Customer-No. | |
|-------------|-------|-----|---------------------------------------|------------|--------|----------|------------|----------------------|-------|
| ① TOLERANCE | | | | | | Drawn | 18.02.2014 | Ray | |
| X. | ±0.38 | | | | | Approved | 18.02.2014 | Ray | |
| .X | ±0.25 | | | | | | | ASSMANN WSW-No. | |
| .XX | ±0.13 | ② | Update | 02.08.2019 | Xavier | | | A-USB/2-B/SMT | |
| DIM | TOL | ① | Update dimensions / tolerance / notes | 10.06.2019 | Xavier | | | Drawing-No. | |
| X.° | ±3° | ① | Update dimensions / tolerance / notes | 10.06.2019 | Xavier | | | ASS 6299 CO | rev02 |
| Angle | TOL | ① | Drawn | 18.02.2014 | Ray | | | Replace | Sheet |
| UNIT | mm | Id. | Modification | Date | Name | | | 1/1 | |

