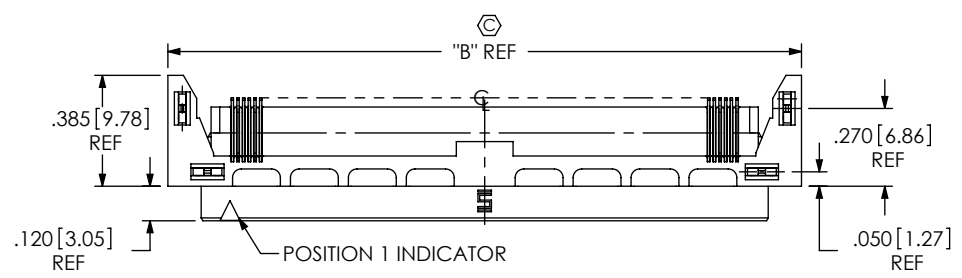


DO NOT SCALE FROM THIS PRINT

DESIGNED & DIMENSIONED IN INCHES [MILLIMETERS]

BTH-XXX-XX-X-D-RA-WT-XXX



No OF POSITIONS
-030, -060, -090 (PER ROW)

LEAD STYLE
-01

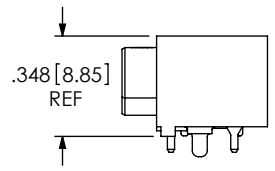
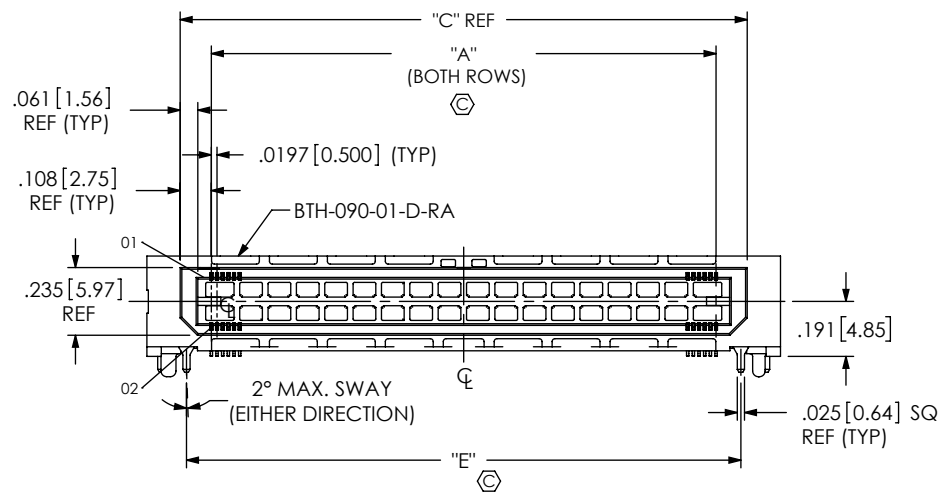
PLATING SPECIFICATION
-F: 3µ" MIN FLASH GOLD ON CONTACT, MATTE TIN TAIL
-L: 10µ" MIN LIGHT GOLD CONTACT, MATTE TIN TAIL

OPTION
*-PGP: PLASTIC GUIDE POSTS (SEE FIG 3, SHT 4)
*-MGP: METAL GUIDE POSTS (SEE FIG 2, SHT 4)
-K: K-DOT (SEE FIG 4, SHT 4)

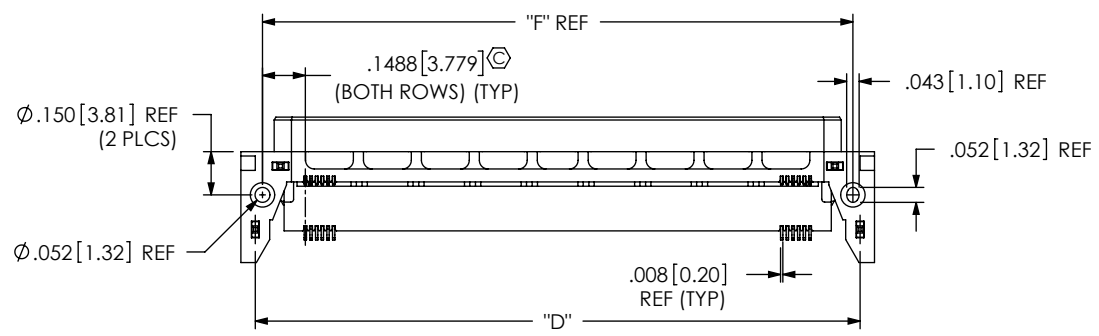
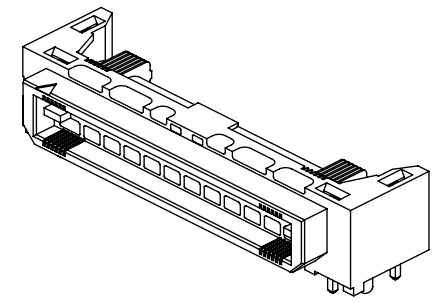
-WT: WELD TAB (USE WT-16-05-T)

-RA: RIGHT ANGLE

ROW SPECIFICATION
-D: DOUBLE



(* = NOT TOOLED)



No OF POS.	"A"	"B"	"C"	"D"	"E"	"F"
-030	.5710	1.019	.788	.919	.744	.869
-060	1.1617	1.609	1.378	1.509	1.334	1.459
-090	1.7524	2.200	1.969	2.100	1.925	2.050

FIG 1
BTH-090-01-X-D-RA-WT SHOWN
(SOME CENTER FEATURES REMOVED FOR CLARITY)

- NOTES:
1. Ⓢ REPRESENTS A CRITICAL DIMENSION.
 2. MAXIMUM BURR ALLOWANCE: .0010 [.025]
 3. MINIMUM PUSHOUT FORCE: 5 OZ.
 4. IF NEEDED, -L PLATING CAN BE SUBSTITUTED FOR -F PLATING.
 5. TIPS OF TERMINALS MAY NOT EXTEND BEYOND THIS SURFACE.
 6. ASSEMBLIES TO BE PACKAGED IN TRAYS.
 7. NOT RECOMMENDED FOR INVERTED REFLOW SOLDER.

UNLESS OTHERWISE SPECIFIED, DIMENSIONS ARE IN INCHES. TOLERANCES ARE:
DECIMALS ANGLES
.XX: ±.01 [0.3] 2°
.XXX: ±.005 [0.13]
.XXXX: ±.0020 [0.051]

PROPRIETARY NOTE
THIS DOCUMENT CONTAINS CONFIDENTIAL AND PROPRIETARY INFORMATION AND ALL DESIGN, MANUFACTURING, REPRODUCTION, USE, PATENT RIGHTS AND SALES RIGHTS ARE EXPRESSLY RESERVED BY SAMTEC, INC. THIS DOCUMENT SHALL NOT BE DISCLOSED, IN WHOLE OR PART, TO ANY UNAUTHORIZED PERSON OR ENTITY NOR REPRODUCED, TRANSFERRED OR INCORPORATED IN ANY OTHER PROJECT IN ANY MANNER WITHOUT THE EXPRESS WRITTEN CONSENT OF SAMTEC, INC.



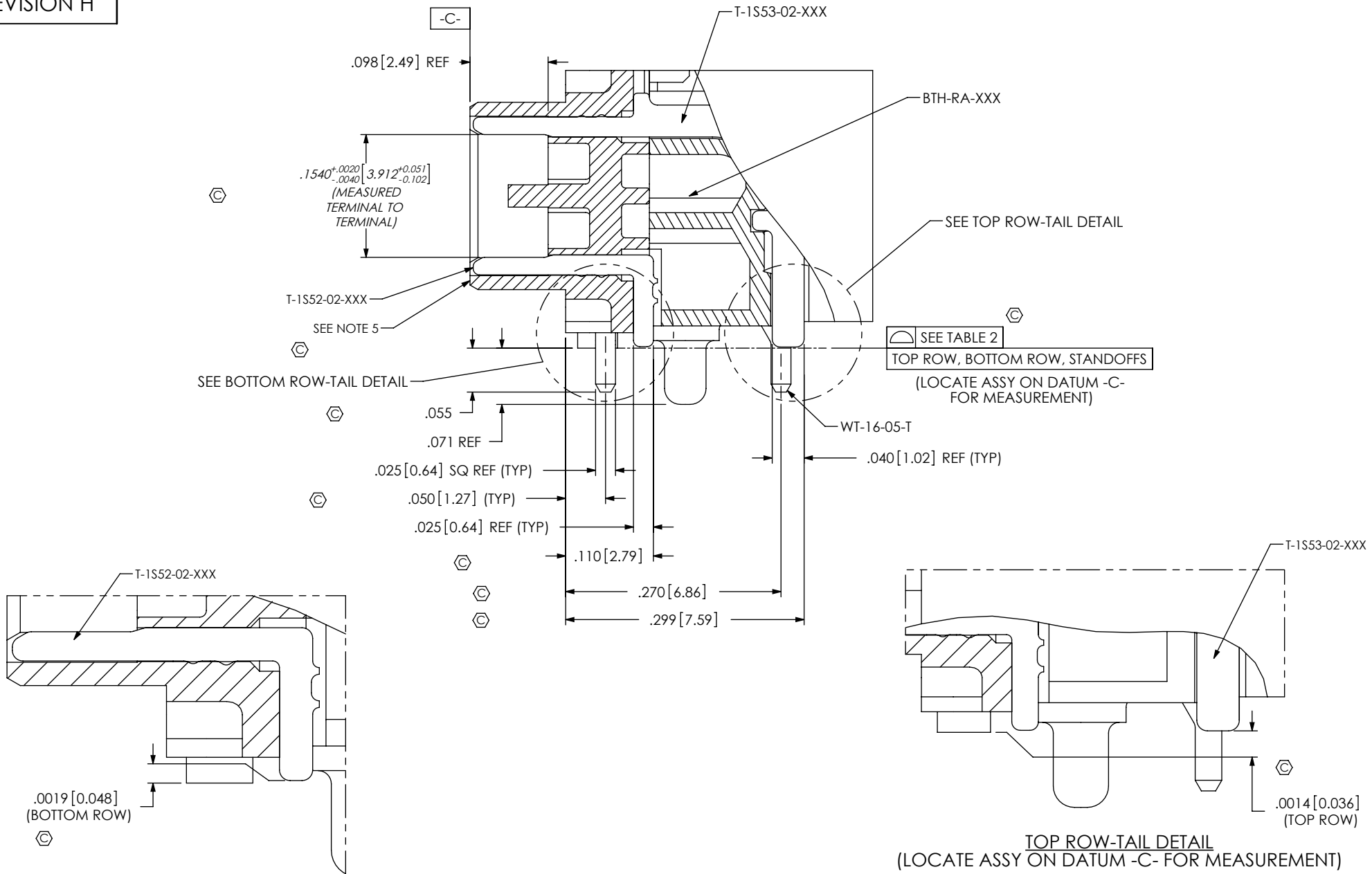
520 PARK EAST BLVD, NEW ALBANY, IN 47150
PHONE: 812-944-6733 FAX: 812-948-5047
e-Mail: info@SAMTEC.com code 55322

MATERIAL: DO NOT SCALE DRAWING SHEET SCALE: 1.5:1
INSULATOR: LCP, COLOR: BLACK
TERMINAL & WELD TAB: PHOS BRONZE

DESCRIPTION:
.50mm DOUBLE ROW RIGHT ANGLE TERMINAL STRIP
DWG. NO.

BTH-XXX-XX-X-D-RA-WT-XXX

BY: KNOWLDEN 02/22/2010 SHEET 1 OF 4



BOTTOM ROW-TAIL DETAIL
(LOCATE ASSY ON DATUM -C- FOR MEASUREMENT)

TOP ROW-TAIL DETAIL
(LOCATE ASSY ON DATUM -C- FOR MEASUREMENT)

TABLE 2

No OF POSITIONS	BOTTOM ROW STRAIGHTNESS	TOP ROW STRAIGHTNESS	ASSEMBLY COPLANARITY
-030 THRU -090	0.0040 [0.102]	0.0040 [0.102]	0.0060 [0.152]

PROPRIETARY NOTE
THIS DOCUMENT CONTAINS CONFIDENTIAL AND PROPRIETARY INFORMATION AND ALL DESIGN, MANUFACTURING, REPRODUCTION, USE, PATENT RIGHTS AND SALES RIGHTS ARE EXPRESSLY RESERVED BY SAMTEC, INC. THIS DOCUMENT SHALL NOT BE DISCLOSED, IN WHOLE OR PART, TO ANY UNAUTHORIZED PERSON OR ENTITY NOR REPRODUCED, TRANSFERRED OR INCORPORATED IN ANY OTHER PROJECT IN ANY MANNER WITHOUT THE EXPRESS WRITTEN CONSENT OF SAMTEC, INC.

samtec
520 PARK EAST BLVD, NEW ALBANY, IN 47150
PHONE: 812-944-6733 FAX: 812-948-5047
e-Mail info@SAMTEC.com code 55322

DO NOT SCALE DRAWING

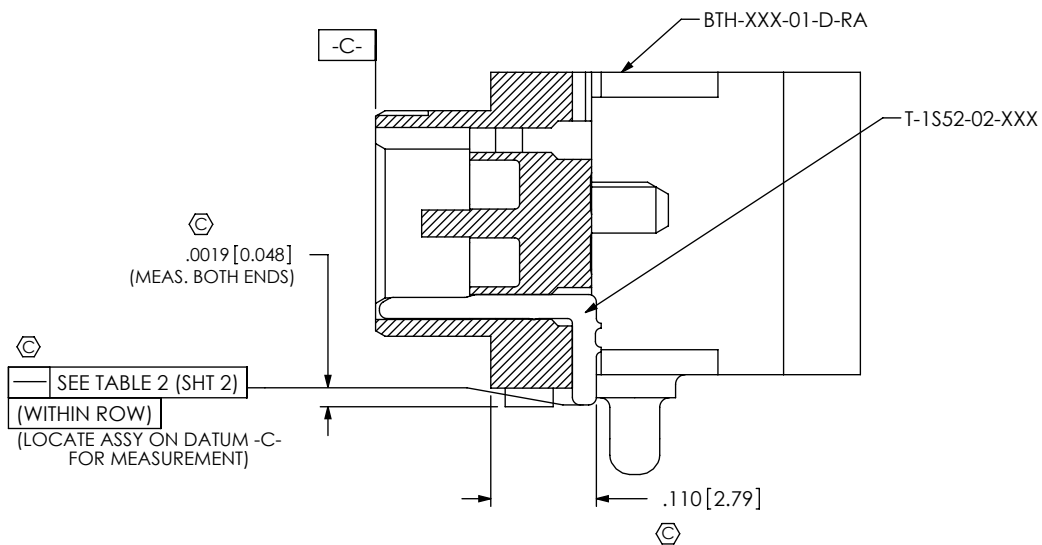
SHEET SCALE: 6:1

DESCRIPTION:
.50mm DOUBLE ROW RIGHT ANGLE TERMINAL STRIP

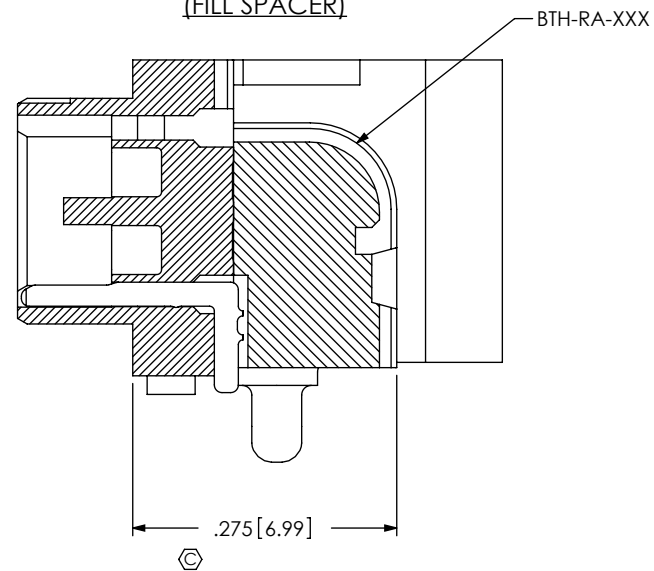
DWG. NO.
BTH-XXX-XX-X-D-RA-WT-XXX

BY: KNOWLDEN 02/22/2010 SHEET 2 OF 4

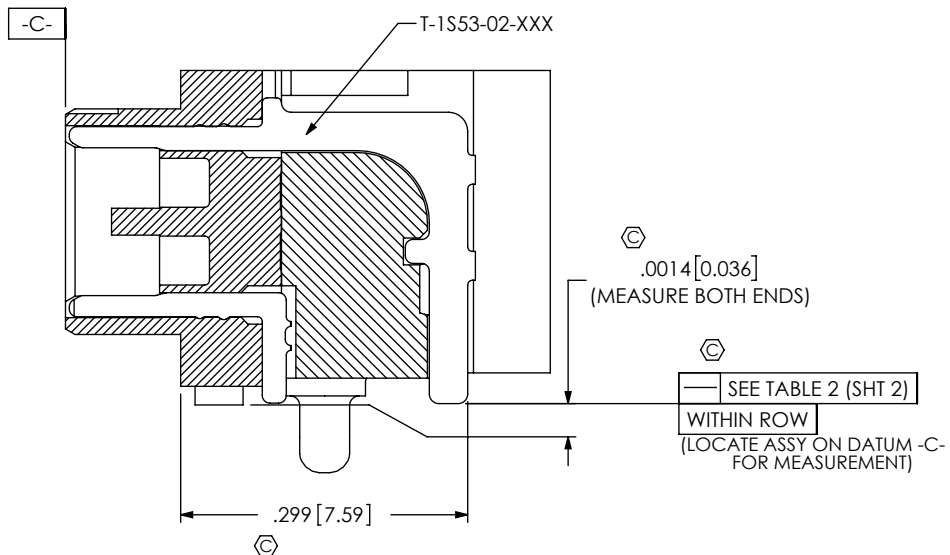
**IN-PROCESS 1
(FILL BOTTOM ROW)**




**IN-PROCESS 2
(FILL SPACER)**



**IN-PROCESS 3
(FILL TOP ROW)**



<p>DO NOT SCALE DRAWING</p> <p>SHEET SCALE: 1:0.666667</p>	<p>PROPRIETARY NOTE</p> <p>THIS DOCUMENT CONTAINS CONFIDENTIAL AND PROPRIETARY INFORMATION AND ALL DESIGN, MANUFACTURING, REPRODUCTION, USE, PATENT RIGHTS AND SALES RIGHTS ARE EXPRESSLY RESERVED BY SAMTEC, INC. THIS DOCUMENT SHALL NOT BE DISCLOSED, IN WHOLE OR PART, TO ANY UNAUTHORIZED PERSON OR ENTITY NOR REPRODUCED, TRANSFERRED OR INCORPORATED IN ANY OTHER PROJECT IN ANY MANNER WITHOUT THE EXPRESS WRITTEN CONSENT OF SAMTEC, INC.</p>	 <p>520 PARK EAST BLVD, NEW ALBANY, IN 47150 PHONE: 812-944-6733 FAX: 812-948-5047 e-Mail info@SAMTEC.com code 55322</p>
	<p>DESCRIPTION: .50mm DOUBLE ROW RIGHT ANGLE TERMINAL STRIP</p>	
	<p>DWG. NO. BTH-XXX-XX-X-D-RA-WT-XXX</p>	
	<p>BY: KNOWLDEN 02/22/2010 SHEET 3 OF 4</p>	

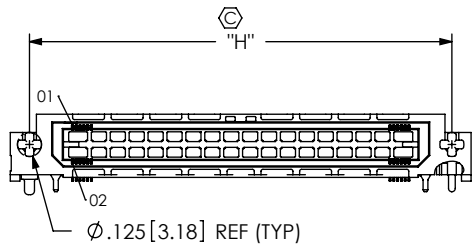
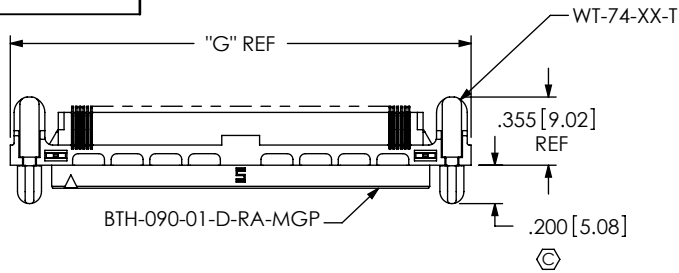


FIG 2
(-MGP VERSION)
BTH-090-01-X-D-RA-MGP SHOWN
(SAME AS FIG 1, EXCEPT AS SHOWN)
(SOME CENTER FEATURES REMOVED FOR CLARITY)
(NOT TOOLED)

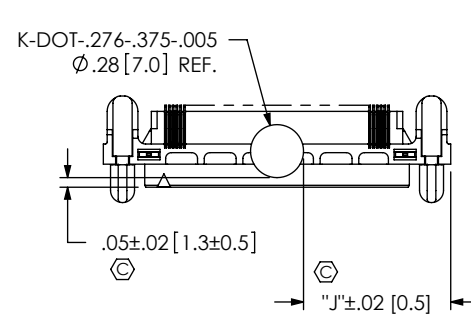
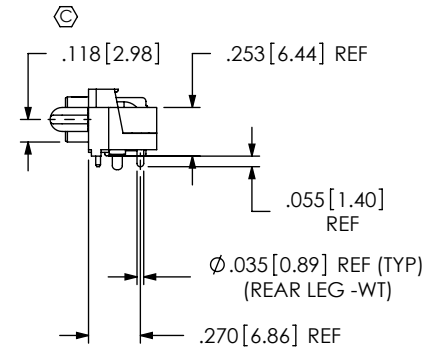


FIG 4
(-K OPTION)
BTH-090-01-X-D-RA-WT-MGP-K SHOWN
(SAME AS FIG 2, EXCEPT AS SHOWN)
(SOME CENTER FEATURES REMOVED FOR CLARITY)

TABLE 4		
	"J"	
NO OF POS	*-PGP & *-MGP	NO GUIDE POSTS
-030	.472 [11.98]	.372 [9.44]
-060	.767 [19.48]	.667 [16.94]
-090	1.062 [26.98]	.962 [24.44]

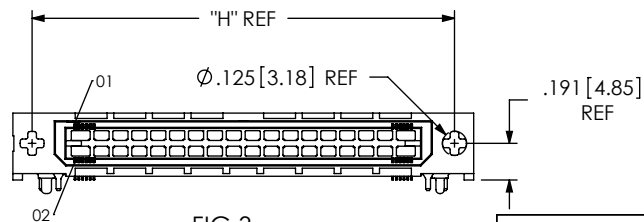
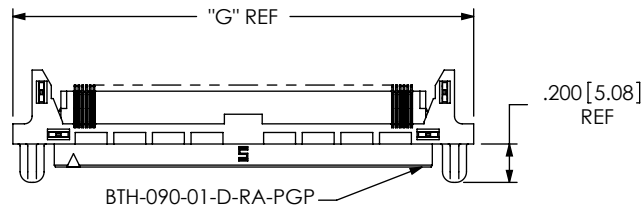


FIG 3
(-PGP VERSION)
BTH-090-01-X-D-RA-PGP SHOWN
(SAME AS FIG 1, EXCEPT AS SHOWN)
(SOME CENTER FEATURES REMOVED FOR CLARITY)
(NOT TOOLED)

TABLE 3		
NO OF POS	"G"	"H"
-030	1.219 [30.95]	1.019 [25.87]
-060	1.809 [45.96]	1.609 [40.88]
-090	2.400 [60.96]	2.200 [55.88]

PROPRIETARY NOTE
THIS DOCUMENT CONTAINS CONFIDENTIAL AND PROPRIETARY INFORMATION AND ALL DESIGN, MANUFACTURING, REPRODUCTION, USE, PATENT RIGHTS AND SALES RIGHTS ARE EXPRESSLY RESERVED BY SAMTEC, INC. THIS DOCUMENT SHALL NOT BE DISCLOSED, IN WHOLE OR PART, TO ANY UNAUTHORIZED PERSON OR ENTITY NOR REPRODUCED, TRANSFERRED OR INCORPORATED IN ANY OTHER PROJECT IN ANY MANNER WITHOUT THE EXPRESS WRITTEN CONSENT OF SAMTEC, INC.

DO NOT SCALE DRAWING

SHEET SCALE: 2:1



520 PARK EAST BLVD, NEW ALBANY, IN 47150
PHONE: 812-944-6733 FAX: 812-948-5047
e-Mail info@SAMTEC.com code 55322

DESCRIPTION:
.50mm DOUBLE ROW RIGHT ANGLE TERMINAL STRIP

DWG. NO.
BTH-XXX-XX-X-D-RA-WT-XXX

BY: KNOWLDEN 02/22/2010 SHEET 4 OF 4