



This piezo buzzer is designed to operate over a specified voltage range. Simple integration with a built in driver.



Contact Us for alternative solutions!

Electrical Specifications

Type:	Buzzer (<i>Internal Driver</i>)	Sound Output (SPL):	82dB (@10cm)
Operating Voltage:	4 ~ 18VDC	Rated Current:	15 mA (max.)
Rated Voltage:	12VDC	Resonant Frequency:	3,300 Hz (+/-500)

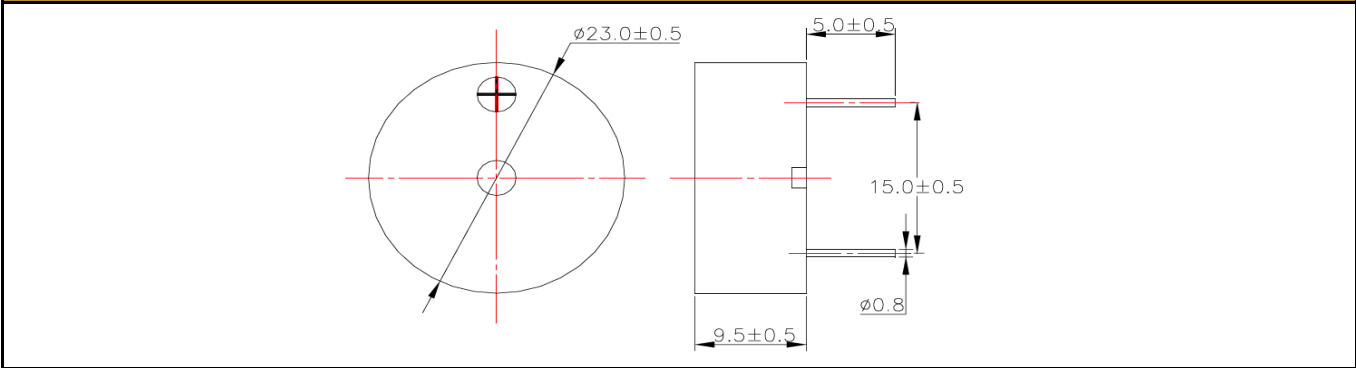
Environmental Specifications

Min. Operating Temp:	-20°C / -4°F	Storage Temp:	-30°C - +70°C
Max. Operating Temp:	60°C / 140°F		

Material Specifications

Housing Material:	MPPO	Magnet Material:	Piezo
--------------------------	------	-------------------------	-------

Dimensions



Frequency Response Curve

