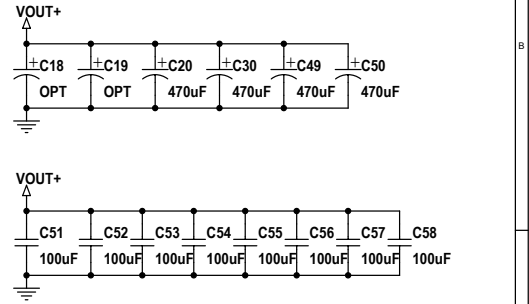
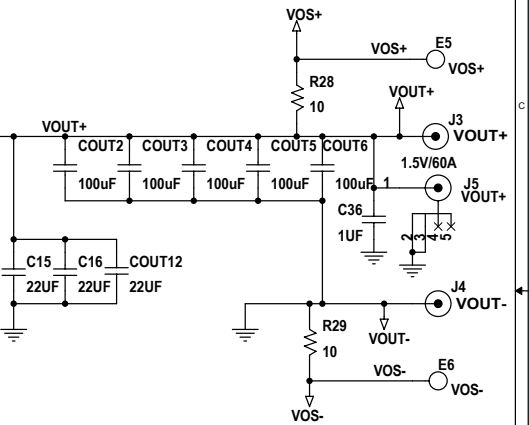
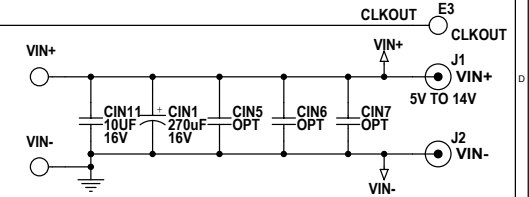
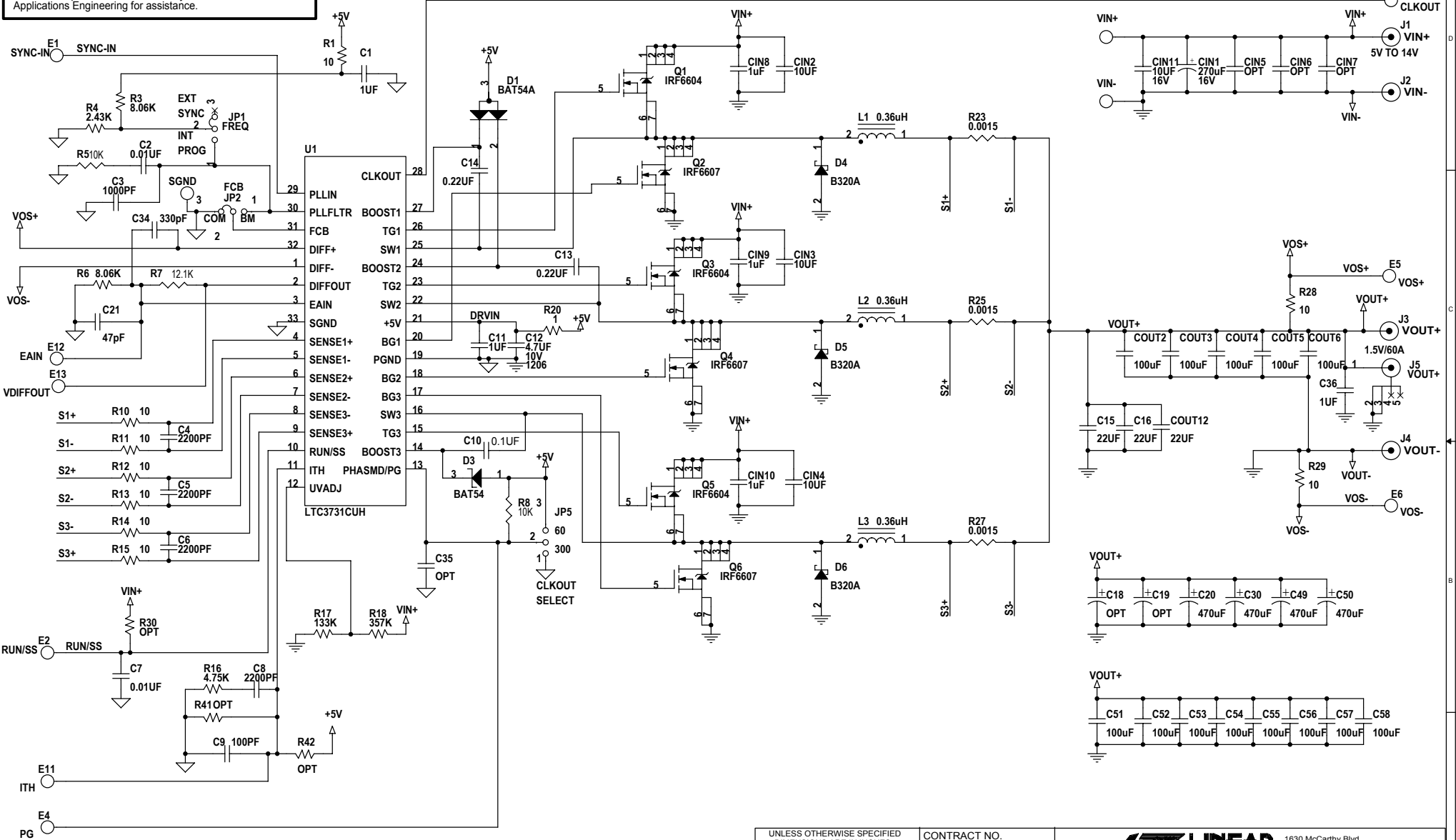
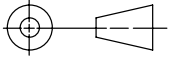



This circuit is proprietary to Linear Technology and supplied for use with Linear Technology parts.
Customer Notice: Linear Technology has made a best effort to design a circuit that meets customer-supplied specifications; however, it remains the customer's responsibility to verify proper and reliable operation in the actual application. Component substitution and printed circuit board layout may significantly affect circuit performance or reliability. Contact Linear Applications Engineering for assistance.

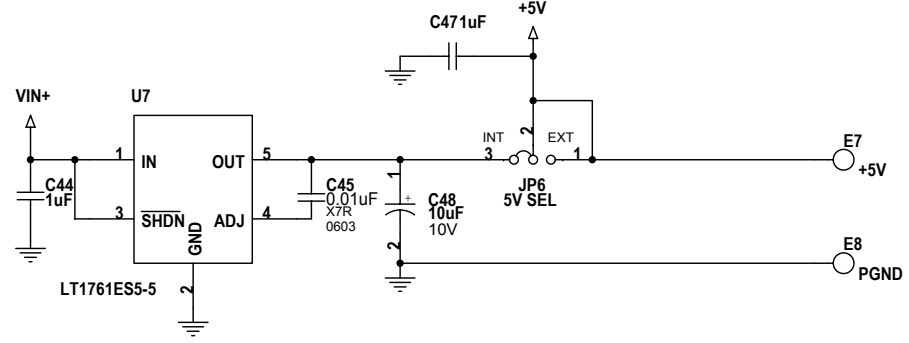
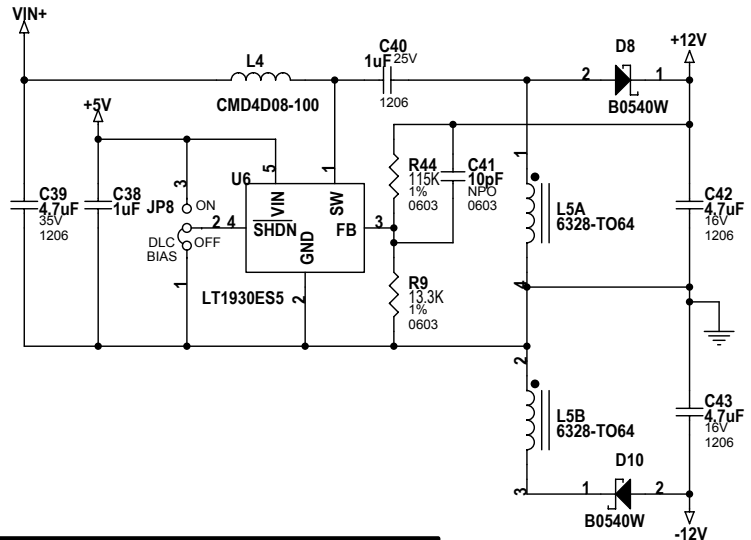
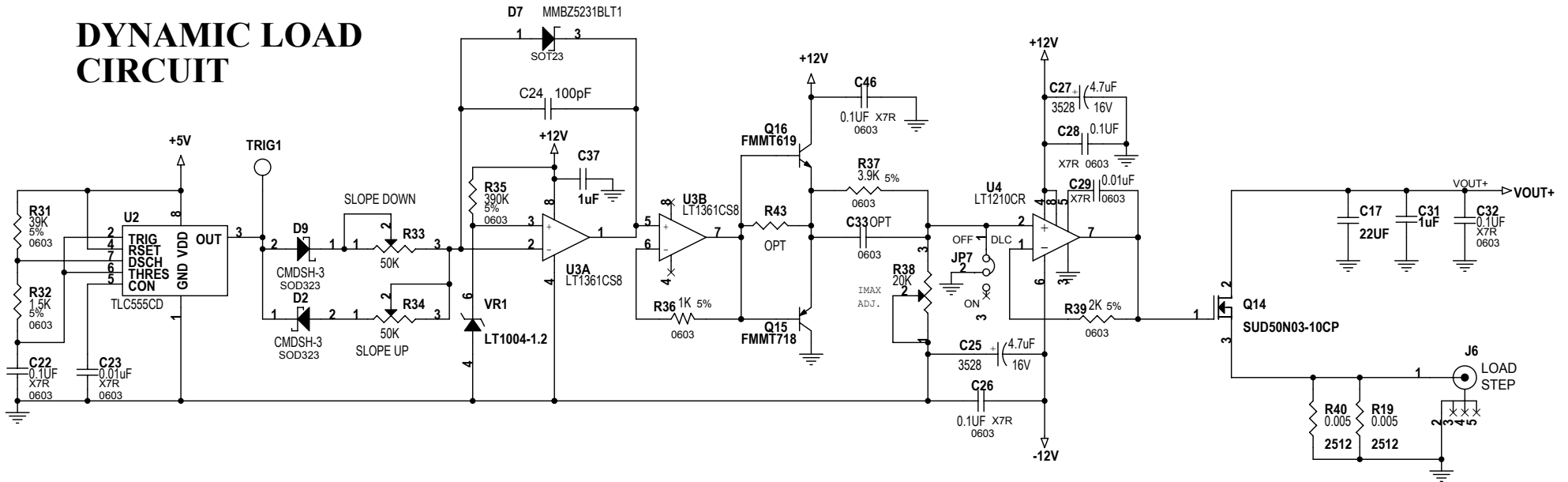
REVISION HISTORY				
ECO	REV	DESCRIPTION	DATE	APPROVED
	4	PROTO	05/13/03	



NOTES:
 [1] DO NOT STUFF

UNLESS OTHERWISE SPECIFIED DIMENSIONS ARE IN INCHES TOLERANCE ON ANGLE --- 2 PLACES --- 3 PLACES --- INTERPRET DIM AND TOL PER ASME Y14.5M-1994 THIRD ANGLE PROJECTION  DO NOT SCALE DRAWING	CONTRACT NO. APPROVALS DRAWN MEI CHECKED APPROVED ENGINEER DESIGNER	DATE 07-15-02	 1630 McCarthy Blvd. Milpitas, CA 95035 Phone: (408)432-1900 Fax: (408)434-0507		TITLE SCH,LTC3731CUH, 3-PHASE HIGH EFFICIENCY DC/DC CONVERTER	
	Wednesday, October 29, 2003	SIZE Custom CAGE CODE DWG NO DC558A				REV 4
	FILENAME: 558A-4.DSN		SHEET 1 OF 2			

DYNAMIC LOAD CIRCUIT



This circuit is proprietary to Linear Technology and supplied for use with Linear Technology parts.
Customer Notice: Linear Technology has made a best effort to design a circuit that meets customer-supplied specifications; however, it remains the customers responsibility to verify proper and reliable operation in the actual application. Component substitution and printed circuit board layout may significantly affect circuit performance or reliability. Contact Linear Applications Engineering for assistance.

UNLESS OTHERWISE SPECIFIED DIMENSIONS ARE IN INCHES TOLERANCE ON ANGLE --- 2 PLACES --- 3 PLACES --- INTERPRET DIM AND TOL PER ASME Y14.5M -1994	CONTRACT NO.			1630 McCarthy Blvd. Milpitas, CA 95035 Phone: (408)432-1900 Fax: (408)434-0507		
	APPROVALS	DATE		TITLE SCH, LTC3731CUH, 3-PHASE HIGH EFFICIENCY DC/DC CONVERTER		
	DRAWN MEI	07-15-02				
	CHECKED					
THIRD ANGLE PROJECTION	APPROVED		SIZE	CAGE CODE	DWG NO	REV
	ENGINEER		Custom		DC558A	4
DESIGNER						
DO NOT SCALE DRAWING	Wednesday, October 29, 2003		SCALE NONE	FILENAME: 558A-4.DSN	SHEET 2	OF 2