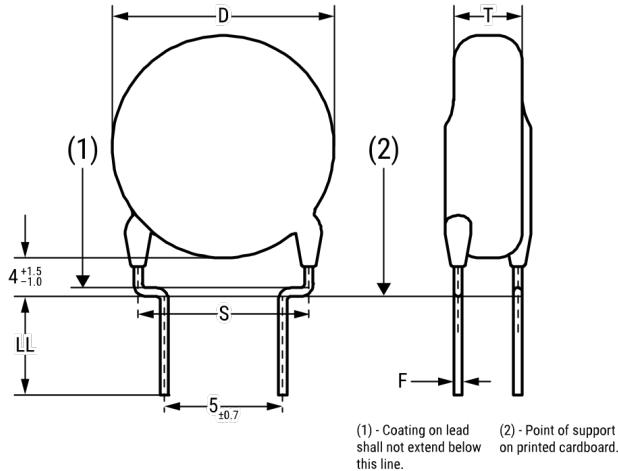


ERK610Z331KUAL

Aliases (C811UA331K440X, ERK610RK3330KUAL)

Obsolete

ERK610 SFTY X1-440 Y2-300, Ceramic, 330 pF, 10%, 440 VAC (X1), 300 VAC (Y2), Y5T, Lead Spacing = 5mm



Click [here](#) for the 3D model.

Dimensions

| | |
|----|-----------------|
| D | 8mm MAX |
| T | 6mm MAX |
| S | 5mm +/-0.7mm |
| H0 | 16mm +/-0.5mm |
| F | 0.6mm +/-0.05mm |
| V | 1.9mm +/-0.5mm |

Packaging Specifications

Packaging Ammo, H0 = 16mm, Component Pitch = 12.7mm

General Information

| | |
|----------------|--|
| Series | ERK610 SFTY X1-440 Y2-300 |
| Style | Radial Disc |
| Description | Ceramic Single Layer Safety Disc Capacitors |
| RoHS | Yes |
| Termination | Tin |
| Qualifications | UL, CSA, CAN, ENEC, VDE |
| AEC-Q200 | No |
| Notes | Please See Bulletin For Taping Information. H0 Dimension Refers to Seating Plane To Center Hole of Tape. |

Specifications

| | |
|-------------------------|----------------------------|
| Capacitance | 330 pF |
| Capacitance Tolerance | 10% |
| Voltage AC | 440 VAC (X1), 300 VAC (Y2) |
| Temperature Range | -40/+125°C |
| Temperature Coefficient | Y5T |
| Dissipation Factor | 2.5% |
| Insulation Resistance | 6 GOhms |
| Safety Class | X1/Y2 |