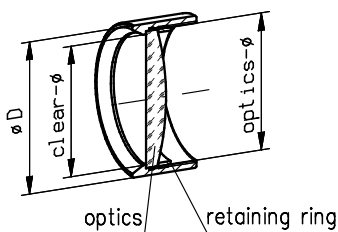


Plankonvexlinsen, gefasst
Plano-convex lenses, mounted

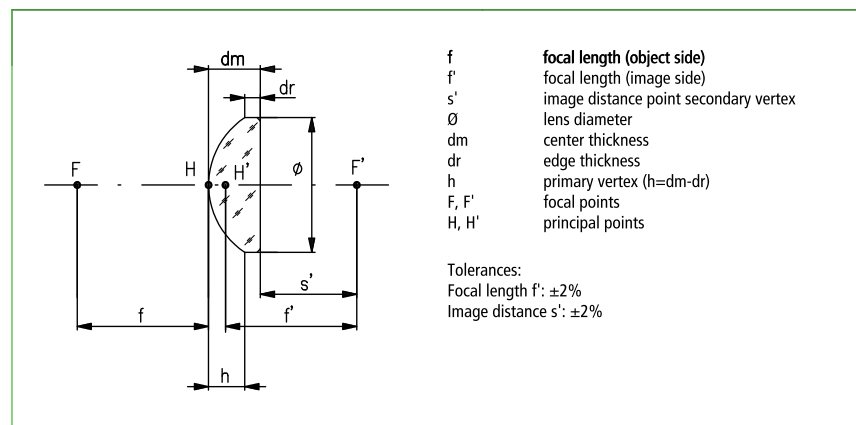
Fassung	Brennweite (mm)	Optik-Ø (mm)	Material	Außen-Ø D (mm)	Freier-Ø (mm)	dm (mm)	dr (mm)	$s'_{588\text{ nm}}$ (mm)	$f'_{546\text{ nm}}$ (mm)	C*	Part No.
Mount	Focal length (mm)	Ø optics (mm)	Material	Outer-Ø D (mm)	Clear Ø (mm)	dm (mm)	dr (mm)	$s'_{588\text{ nm}}$ (mm)	$f'_{546\text{ nm}}$ (mm)	C*	Part No.
☐	100	25.4	N-BK7	30	24	4	2.4	96.46	98.73	13	G063823000
☐	150	25.4	N-BK7	30	24	4	3	148.87	150.94	13	G063824000
☐	200	25.4	N-BK7	30	24	4	3.2	196.51	198.41	13	G063825000
☐	300	25.4	N-BK7	30	24	4	3.5	295.33	296.86	13	G063826000
☐	500	25.4	N-BK7	30	24	4	3.7	501.22	501.98	13	G063827000
☐	1000	25.4	N-BK7	30	24	4	3.8	981.21	980.2	13	G063828000
☐	40	31.5	N-BaK4	35	30	8.3	2	34.92	40.04	13	G063101000
☐	50	31.5	N-BaK4	35	30	6.7	2	45.99	50.05	13	G063102000
☐	60	31.5	N-BK7	35	30	6.3	2.1	57.48	61.4	13	G063051000
☐	80	31.5	N-BK7	35	30	5	1.9	77.14	80.14	13	G063103000
☐	100	31.5	N-BK7	35	30	4.5	2.1	98.3	100.88	13	G063052000
☐	150	31.5	N-BK7	35	30	4	2.4	148.33	150.41	13	G063104000
☐	200	31.5	N-BK7	35	30	3.2	2	199.21	200.57	13	G063105000
☐	300	31.5	N-BK7	35	30	3	2.2	299.23	300.09	13	G063106000

C* Eine Tabelle mit weiteren Spezifikationen finden Sie zu Beginn dieses Kapitels.
 Please find more specifications in the table at the beginning of this chapter.



Plankonvexlinsen, gefasst, aus Quarzglas **Plano-Convex Lenses, Mounted (Fused Silica)**

- In Fassungen kompatibel zur Mikrobank ☐ oder Nanobank ☒
- *Lens mounts fit to Microbench ☐ or Nanobench ☒*
- Unbeschichtet
- *Surfaces uncoated*
- Toleranzen: Brennweite f' : $\pm 2\%$, Bildentfernung s' : $\pm 2\%$
- *Tolerances: Focal length f' : $\pm 2\%$, Image distance s' : $\pm 2\%$*



Plankonvexlinsen, gefasst, aus Quarzglas
Plano-convex lenses, mounted, fabricated from fused silica

Fassung	Brennweite (mm)	Optik-Ø (mm)	Außen-Ø D (mm)	Freier-Ø (mm)	dm (mm)	dr (mm)	$s'_{248\text{ nm}}$ (mm)	$f'_{248\text{ nm}}$ (mm)	C^+	Part No.
<i>Mount</i>	<i>Focal length (mm)</i>	<i>Ø optics (mm)</i>	<i>Outer-Ø D (mm)</i>	<i>Clear Ø (mm)</i>	<i>dm (mm)</i>	<i>dr (mm)</i>	<i>$s'_{248\text{ nm}}$ (mm)</i>	<i>$f'_{248\text{ nm}}$ (mm)</i>	<i>C^+</i>	<i>Part No.</i>
☒	12.5	8	16	7	2.4	1	10.91	12.5	4	G052120000
☒	15	10	16	9	2.9	1	12.83	14.75	8	G052121000
☒	20	12.5	16	11.5	3.5	1.3	17.35	19.67	8	G052122000
☒	25	12.5	16	11.5	3	1.3	22.78	24.77	8	G052123000
☒	30	18	25	17	4.4	1.5	27.59	30.51	8	G063338000
☒	40	22.4	25	21.4	5	1.5	35.38	38.69	12	G063050000
☒	50	22.4	25	21.4	4.1	1.5	46.7	49.42	12	G063339000
☒	60	22.4	25	21.4	3.7	1.6	57.13	59.58	12	G063340000
☒	80	22.4	25	21.4	3.1	1.5	77.4	79.45	12	G063341000
☒	100	22.4	25	21.4	2.8	1.5	97.45	99.31	12	G063342000
☒	200	22.4	25	21.4	2.1	1.5	195.33	196.73	12	G063343000
☒	40	31.5	35	30	9.5	2	33.65	39.95	12	G063111000
☒	50	31.5	35	30	7.5	2.1	45.14	50.11	12	G063112000
☒	60	31.5	35	30	6.4	2	55.75	60	12	G063113000
☒	80	31.5	35	30	5.2	2	76.55	80	12	G063114000
☒	100	31.5	35	30	4.5	2	96.99	99.97	12	G063115000
☒	140	31.5	35	30	3.3	1.5	136.09	138.21	12	G063366000
☒	200	31.5	35	30	3.3	2.1	198.03	200.22	12	G063116000
☒	300	31.5	35	30	3	2.2	298.66	300.65	12	G063117000
☒	400	31.5	35	30	2.1	1.5	390.96	392.35	12	G063367000

A closer look

Alle relevanten Konstruktionsdaten wie Materialien, Radien und Mittendicken unserer Linsen finden Sie in der Datenbank unserer Optikdesignsoftware WinLens. Eine Freiversion dieses Programms steht Ihnen zum Download unter winlens.de bereit.



All relevant specifications of the lenses, such as materials, radii and center thicknesses, are included in the database of the our WinLens optical design software. A freeware version of this program is available for download at winlens.de.