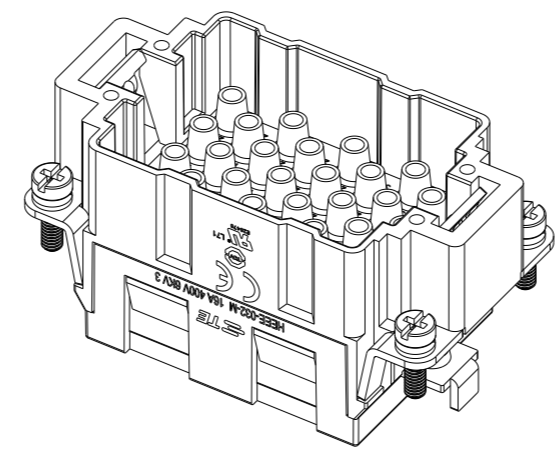
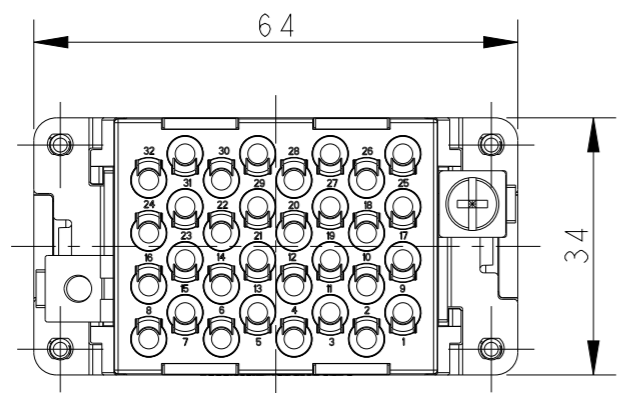
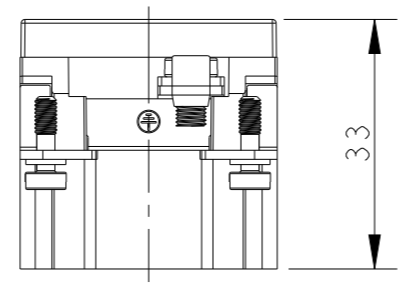
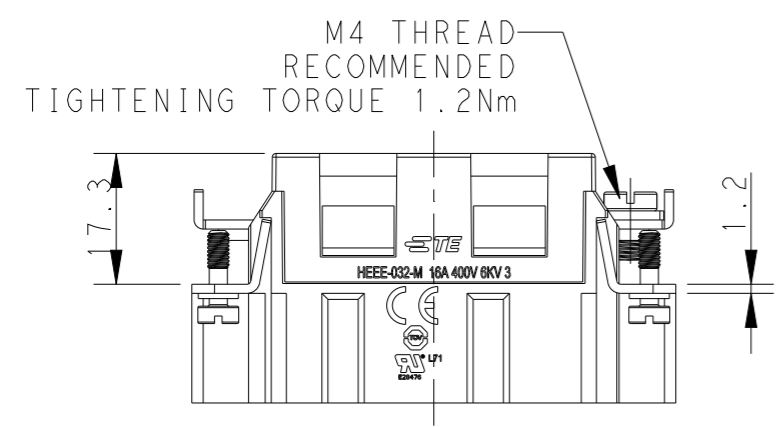


P	LTR	DESCRIPTION	DATE	DWN	APVD
A		INITIAL RELEASE	18DEC2014	HMR	CW
B		ECR-15-015267	19OCT2015	DW	CW
C		ECR-21-111798	02SEP2021	WQR	CW



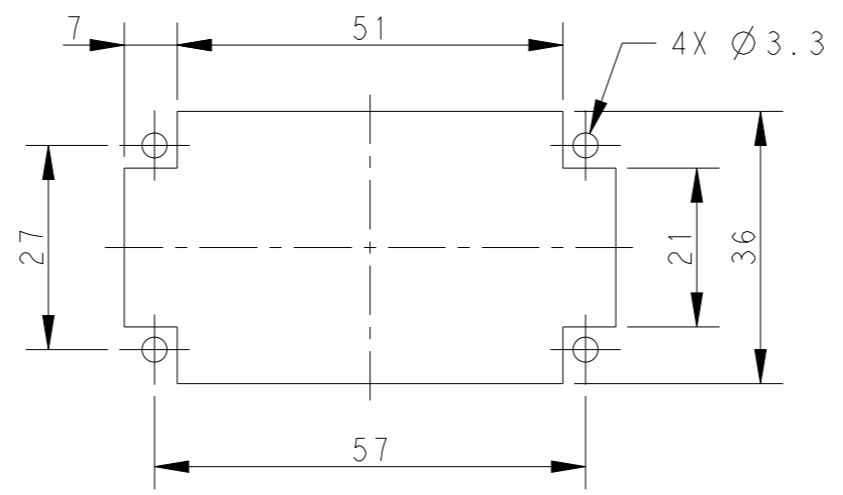
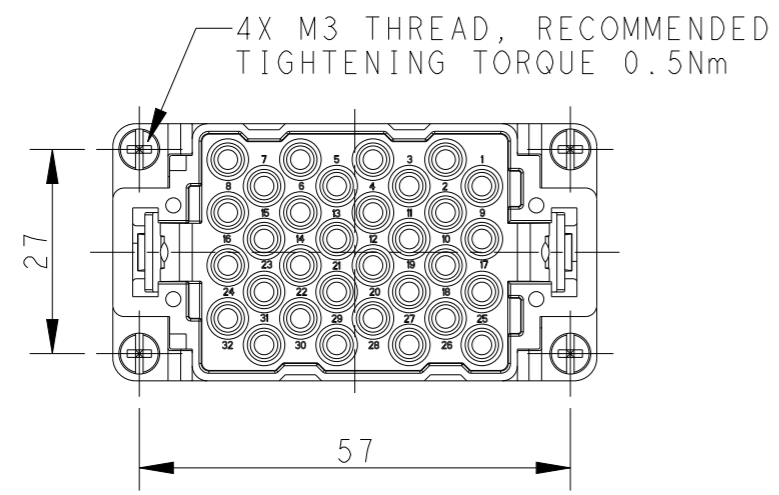
NOTES:

- TECHNICAL CHARACTERISTICS:  
 INSULATION MATERIAL: PC  
 RATED VOLTAGE: 400V  
 RATED CURRENT: 16A  
 INSULATION RESISTANCE:  $\geq 400M\Omega$   
 RATED IMPULSE VOLTAGE: 6KV  
 POLLUTION DEGREE: 3  
 FLAMMABILITY: UL94V-0  
 MATING CYCLES: 500 CYCLES  
 OPERATION TEMPERATURE:  $-40^{\circ}C \sim +125^{\circ}C$   
 WIRE RANGE:  $0.14mm^2 \sim 4mm^2$  (AWG26-AWG12)  
 CONTACT TYPE: CRIMP CONTACT
- CONTACTS NEED TO BE ORDERED SEPARATELY.  
 (ORDER No. REFER TO DRAWING:T20300X10XX000)



注释:

- 技术参数:  
 绝缘材料: PC  
 额定电压: 400V  
 额定电流: 16A  
 绝缘电阻:  $\geq 400M\Omega$   
 脉冲电压: 6KV  
 污染等级: 3  
 阻燃等级: UL94V-0  
 插拔次数: 500次  
 工作温度:  $-40^{\circ}C \sim +125^{\circ}C$   
 接线范围:  $0.14mm^2 \sim 4mm^2$  (AWG26-AWG12)  
 接线类型: 冷压接
- 端子需要单独订购.  
 (订货号参考图面: T20300X10XX000)



PANEL CUT FOR INSERTS FOR USE WITHOUT HOODS/ HOUSINGS

HEEE-032-M	T2050323101-000
DESCRIPTION	PART NUMBER

THIS DRAWING IS A CONTROLLED DOCUMENT.		DWN 18DEC2014 RAGHAVENDRA H M	TE Connectivity	
DIMENSIONS: mm		CHK 18DEC2014 CHRIS WANG		
TOLERANCES UNLESS OTHERWISE SPECIFIED:		APVD 18DEC2014 XU XIANG	NAME HEEE-032-M	
0 PLC ±-		PRODUCT SPEC 108-137068	SIZE CAGE CODE DRAWING NO RESTRICTED TO	
1 PLC ±-		APPLICATION SPEC 114-137068	A300779 C-T2050323101000	
2 PLC ±-		WEIGHT -	SCALE 1:1 SHEET 1 OF 1 REV C	
3 PLC ±-		Customer Drawing		
4 PLC ±-				
ANGLES ±-				
FINISH				
MATERIAL				