

PRODUCT AND PROCESS CHANGE NOTIFICATION

SERIAL NO:
0344

RAISED BY:
C.Goddard

DATE:
09/08/2021

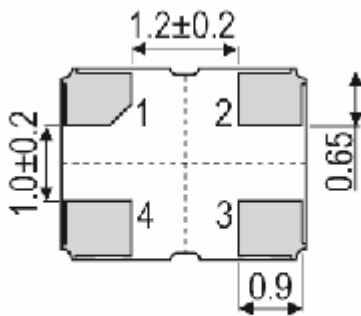
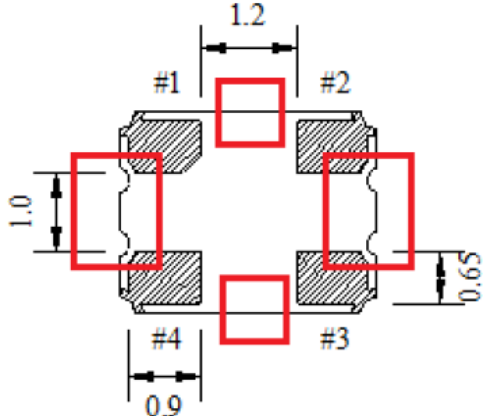
CUSTOMER: Various

PRODUCT: 32.7680kHz 3.4mm x 2.7mm CMOS CFPS-102 1.8V ±5%
32.7680kHz 3.4mm x 2.7mm CMOS CFPS-104 3.3V ±5%

PART NUMBER(S): See 'PPCN0344 PN List.xls'

CURRENT PRODUCT/PROCESS:
N/A

PROPOSED CHANGE:
Change of base.

<u>Original Base</u>	<u>New Base</u>
 <p style="text-align: center;">Underside View</p>	

REASON FOR CHANGE:
Old base made EOL with immediate affect due to low market demand.

EXPECTED EFFECT ON PERFORMANCE:
None

EXPECTED EFFECT ON RELIABILITY:
None

COMMENTS:

IMPLEMENTATION DATE:
Immediate

AUTHORISED BY:



C.Goddard
Quality Manager

p/n

LFSPXO082283Cutt

LFSPXO082286Cutt

LFSPXO050283Reel

LFSPXO052977Reel