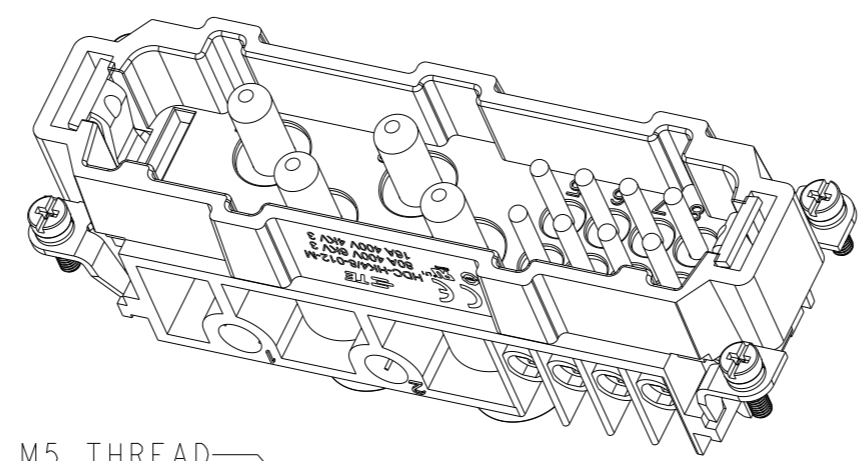
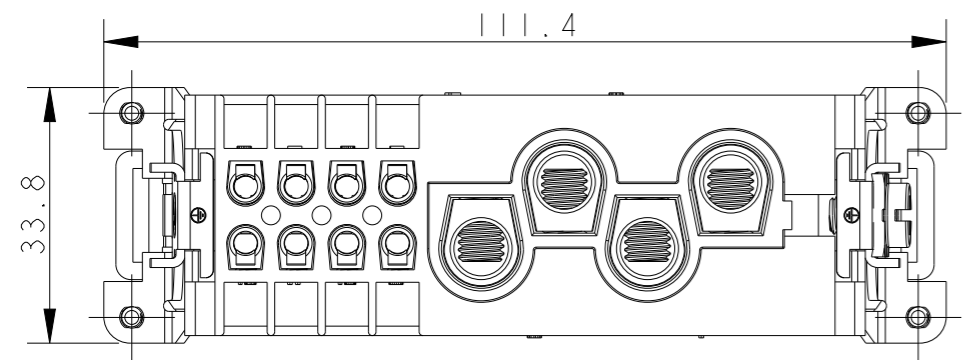


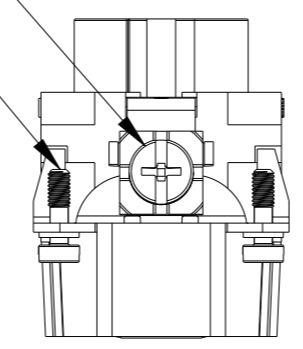
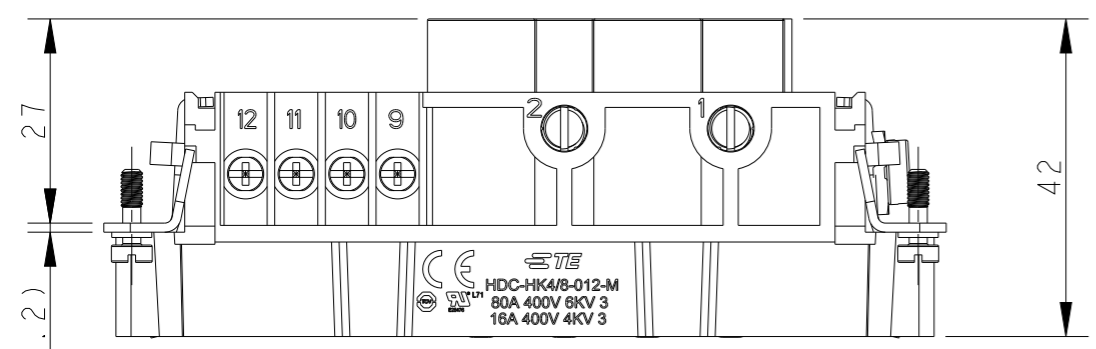
THIS DRAWING IS UNPUBLISHED. RELEASED FOR PUBLICATION 20
 © COPYRIGHT 20 BY - ALL RIGHTS RESERVED.

REVISIONS

P	LTR	DESCRIPTION	DATE	DWN	APVD
A		INITIAL RELEASE	14APR2015	DL	CW
B		ECR-15-018481	22FEB2016	DL	CW
C		ECR-21-111798	09SEP2021	WQR	CW

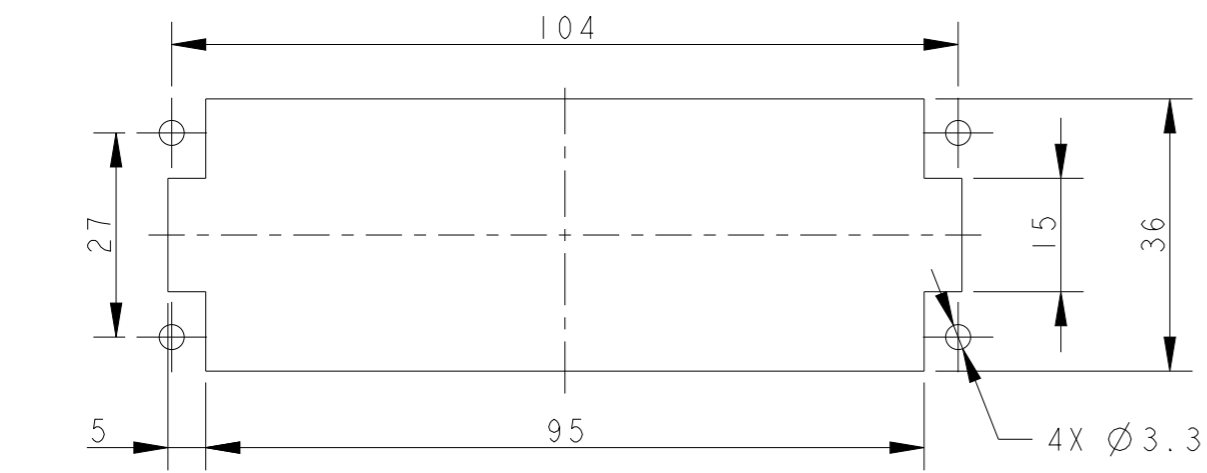
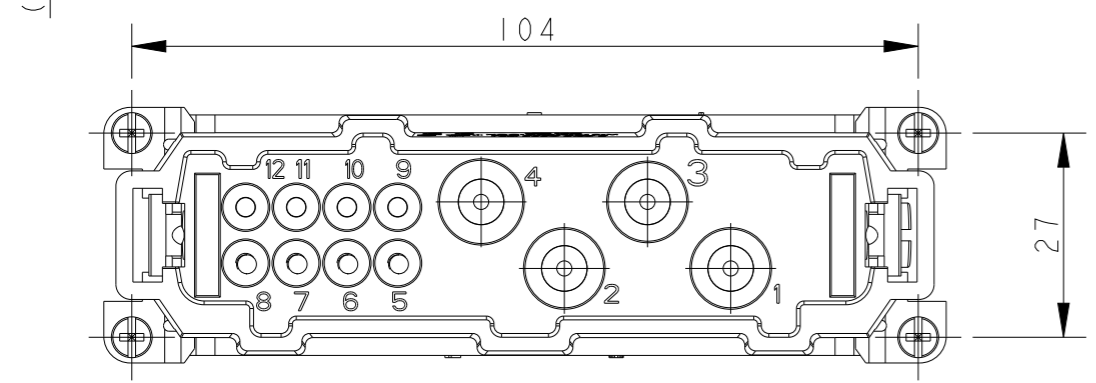


M5 THREAD
RECOMMENDED TIGHTENING TORQUE 2.0Nm
 4 X M3 THREAD
RECOMMENDED TIGHTENING TORQUE 0.5Nm



NOTES:
 1. TECHNICAL CHARACTERISTICS:
 INSULATION MATERIAL: PC
 RATED VOLTAGE: POWER: 400 V; SIGNAL: 400 V
 RATED CURRENT: POWER: 80 A; SIGNAL: 16 A
 INSULATION RESISTANCE: >=400MΩ
 RATED IMPULSE VOLTAGE: POWER: 6 KV; SIGNAL: 4 KV
 POLLUTION DEGREE: 3
 FLAMMABILITY: UL94V-0
 MATING CYCLES: 500
 OPERATION TEMPERATURE: -40-+125°C
 WIRE RANGE: POWER: 1.5-16 mm² (16-5 AWG)
 SIGNAL: 0.5-2.5 mm² (20-14 AWG)
 CONTACT FINISH: SILVER PLATED
 CONTACT TYPE: SCREW CONTACT

注释:
 1. 技术参数:
 绝缘材料: PC
 额定电压: 电源: 400V; 信号: 400V
 额定电流: 电源: 80A; 信号: 16A
 绝缘电阻: >=400MΩ
 额定脉冲电压: 电源: 6 KV; 信号: 4 KV
 污染等级: 3
 阻燃等级: UL94V-0
 插拔次数: 500次
 工作温度: -40-+125°C
 接线范围: 电源: 1.5-16 mm² (16-5 AWG)
 信号: 0.5-2.5 mm² (20-14 AWG)
 端子表面处理: 镀银
 接线类型: 螺丝压接



PANEL CUT OUT FOR INSERTS FOR USING WITHOUT HOODS/HOUSINGS

THIS DRAWING IS A CONTROLLED DOCUMENT.

DIMENSIONS:	TOLERANCES UNLESS OTHERWISE SPECIFIED:
mm	
0 PLC	±-
1 PLC	±-
2 PLC	±-
3 PLC	±-
4 PLC	±-
ANGLES	±-
FINISH	

DWN	14APR2015
DAVID LI	
CHK	14APR2015
CHRIS WANG	
APVD	14APR2015
XU XIANG	
PRODUCT SPEC	108-137129
APPLICATION SPEC	108-137129
WEIGHT	-
CUSTOMER DRAWING	

T2100122101-000	HK4/8-012-M HK4/8-012 公插
PART NUMBER 料号	PART DESCRIPTION 描述
STE TE Connectivity	
NAME HK4/8-012-M	
SIZE A3	CAGE CODE -
DRAWING NO T2100122101000	RESTRICTED TO
SCALE 1:1	SHEET 1 OF 1
REV C	