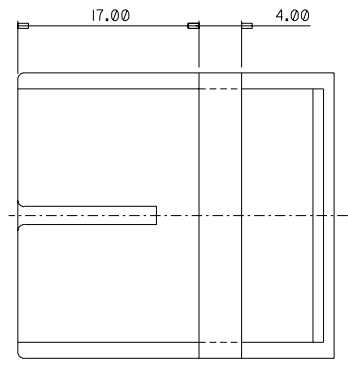
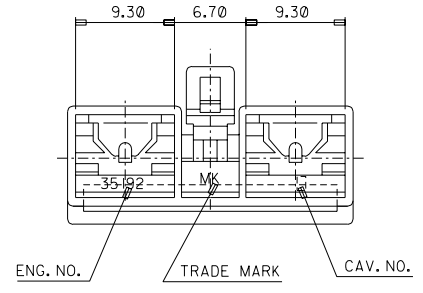
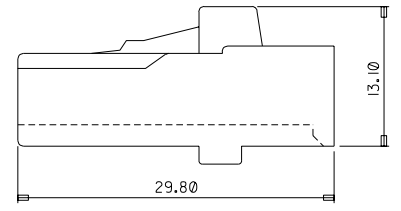
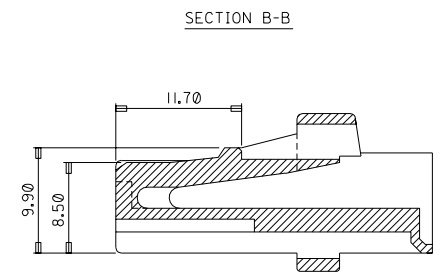
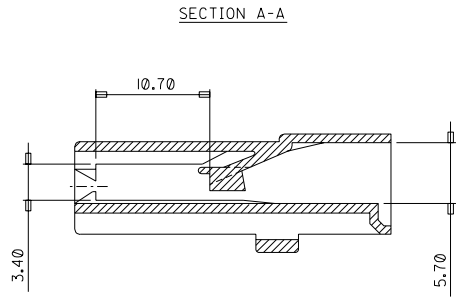
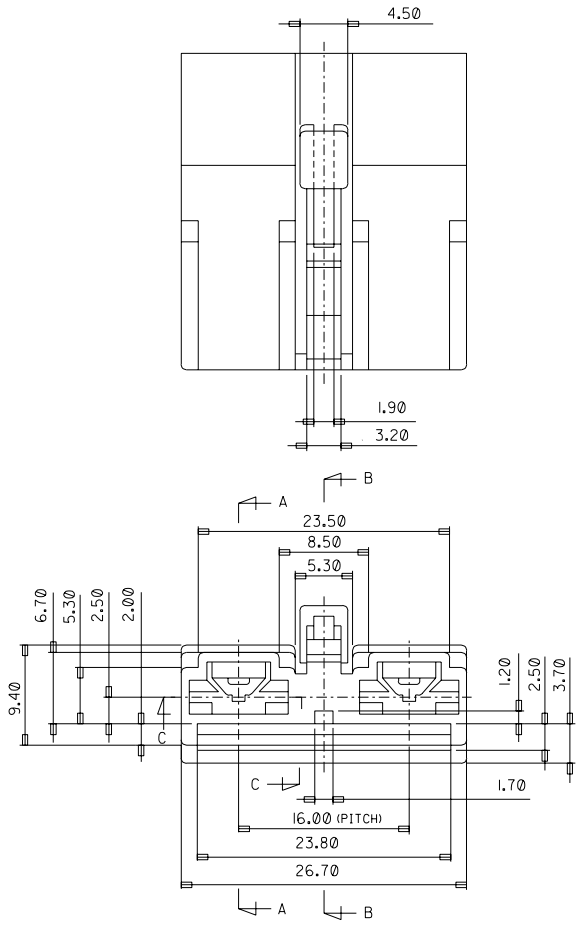


DO NOT SCALE DRAWING
DIMENSION IN METRIC

PROJECT NO.
SIMILAR ITEM
DWG. NO.
SD-35192-0201



- NOTES
1. MATERIAL : 35990-0022 (NYLON 66 , UL94V-2)
 2. COLOR : BLACK
 3. APPLICABLE TERMINAL : ST 730371 (KET PART No.)

| | | | | | | | | |
|--|--------------------------------------|---|-----------------------------------|--|--|-------------------------------|--------------------------|-----|
| REVISED (MATERIAL CHANGE) EC NO. KOR1998-0112 DRAWN: RHO 98/08/14 CHK: B.K. CHOI APPR: C.W. LEE | QUALITY SYMBOLS MAJOR CRITICAL | GENERAL TOLERANCES: (UNLESS SPECIFIED) | SCALE 3/1 | DESIGN UNITS <input checked="" type="checkbox"/> mm <input type="checkbox"/> INCH | DIMENSIONS: <input type="checkbox"/> mm <input type="checkbox"/> INCH <input checked="" type="checkbox"/> mm ONLY | | SHT | REV |
| | | 4 PLACES ±0.1 3 PLACES ±0.1 2 PLACES ±0.1 1 PLACE ±0.3 | DRAWN BY & DATE RHO, '95.09.14 | THIRD ANGLE PROJECTION | | TITLE: .312 FEMALE HS'G 2P | | |
| B | DESCRIPTION | ANGULAR: ± ° | CHECKED BY & DATE B.K. CHOI | | MATERIAL NO. 35192-0201 | | SHEET NO. 1/1 | |
| | | DRAFT WHERE APPLICABLE MUST REMAIN WITHIN DIMENSIONS | APPROVED BY & DATE C.W. LEE | | DRAWING NO. SD-35192-0201 | | MOLEX INCORPORATED KOREA | |
| THIS DRAWING CONTAINS INFORMATION THAT IS PROPRIETARY TO MOLEX INCORPORATED AND SHOULD NOT BE USED WITHOUT WRITTEN PERMISSION. | | | CAD FILENAME SD35192.DGN | | MATERIAL NO. 35192-0201 | | SHEET NO. 1/1 | |