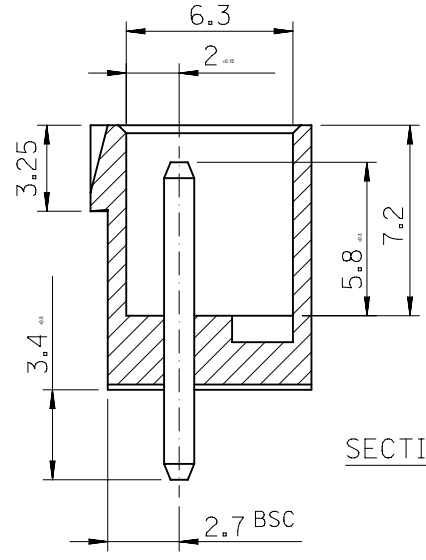
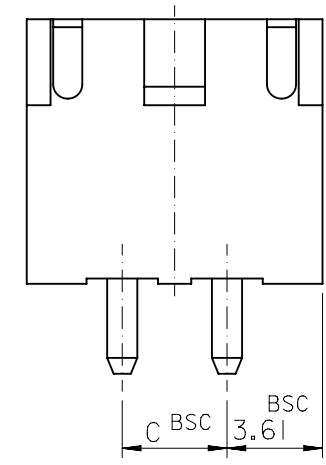
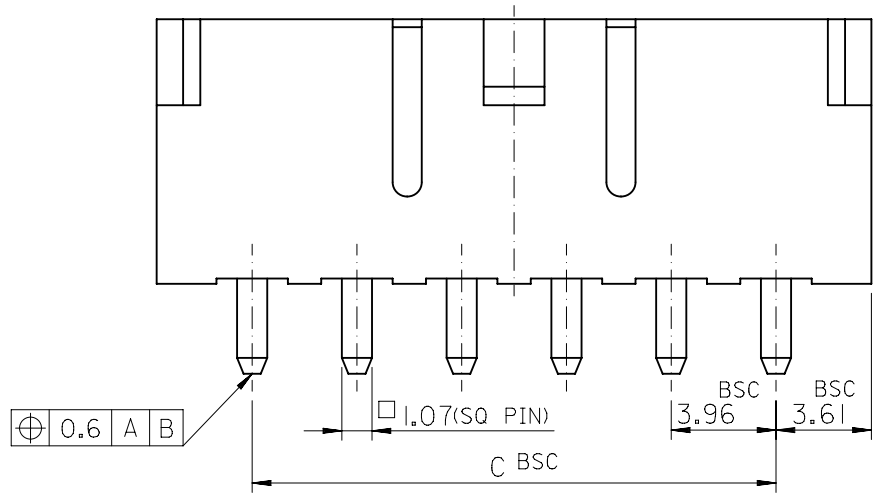
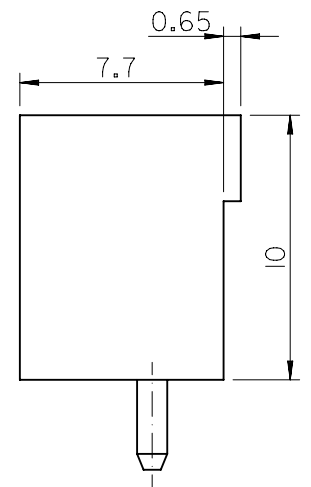
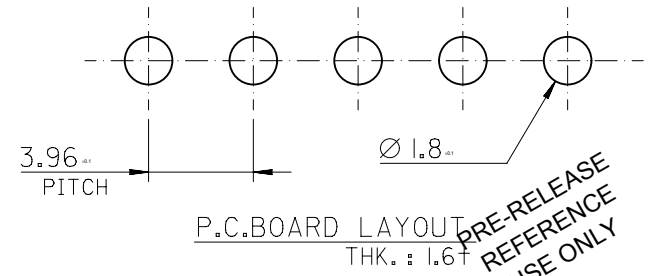
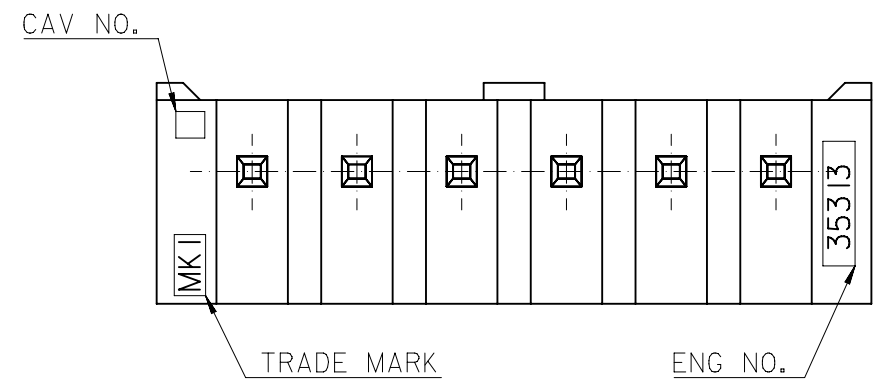


NOTE  
 1. MATERIAL : WAFER : NYLON66, GLASS FILLED 20%  
 PIN : BRASS, TIN PLATED  
 2. LEGEND  
 35313-\*\*\* 6 \*  
 COLOR : 0 - NATURAL  
 1 - BLACK  
 2 - RED  
 3 - YELLOW  
 4 - BLUE  
 CKT NO.(02,03,04...)  
 3. THIS PRODUCT SHALL BE COMPLIED WITH  
 RoHS COMPATIBLE(LEAD FREE SOLDERABILITY)



2 CKT ONLY



27.72	32.94	34.94	35313-086*	8
23.76	28.98	30.98	-076*	7
19.8	25.02	27.02	-066*	6
15.84	21.06	23.06	-056*	5
11.88	17.1	19.1	-046*	4
7.92	13.14	15.14	-036*	3
3.96	9.18	11.18	35313-026*	2
C	B	A	ENG NO.	CKT NO.

FUNCTIONAL SYMBOLS $\frac{F}{A} = 0$ $\frac{F}{E} = 0$ $\frac{F}{P} = 0$ DIVISIONAL SYMBOLS	THIS DRAWING CONTAINS INFORMATION THAT IS PROPRIETARY TO MOLEX ELECTRONIC TECHNOLOGIES, LLC AND SHOULD NOT BE USED WITHOUT WRITTEN PERMISSION		CURRENT REV DESC: OBSOLETE PART NUMBERS AS PER PCN#510806		
	DIMENSION UNITS <b>mm</b>	SCALE <b>3.5:1</b>	<b>molex</b> 3.96 PITCH W/B CONN. WAFER ASS		
	GENERAL TOLERANCES (UNLESS SPECIFIED)				
	4 PLACES ± 0.0 ± 3 PLACES ± 0.0 ± 2 PLACES ± 0.2 ± 1 PLACE ± 0.2 ± 0 PLACES ± ± ANGULAR TOL ± °	EC NO: 733771 DRWN: ANIKES1 CHK'D: GGA APPR: GGA INITIAL REVISION: DRWN: KSKIM APPR: CHANGWOOLEE	2023/01/16 2023/02/24 2023/02/24 2004/10/11 2004/10/12	DOCUMENT NUMBER <b>SD-35313-001</b>	DOC TYPE <b>PSD</b>
DRAFT WHERE APPLICABLE MUST REMAIN WITHIN DIMENSIONS	THIRD ANGLE PROJECTION	DRAWING <b>B-SIZE</b>	SERIES <b>35313</b>	MATERIAL NUMBER SEE TABLE	
CUSTOMER GENERAL MARKET		SHEET NUMBER 1 OF 1		REVISION <b>C1</b>	