

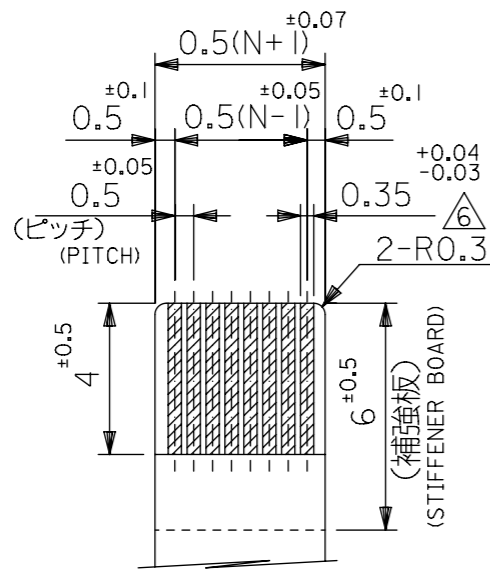
注記 NOTES

- 使用材料: MATERIAL
 - ハウジング HOUSING: 46ナイロン, UL94V-0 46NYLON
 - アクチュエータ ACTUATOR: PPS, UL94V-0
 - ターミナル TERMINAL: リン青銅 (t=0.2) PHOS-BRO
 - 金具 FITTING NAIL: リン青銅 (t=0.2) PHOS-BRO
- エンボステーブ梱包時は、アクチュエータがロックした状態とする。
IN THE PACKAGE, ACTUATOR OF PART NO.52435-***26 SHOULD BE LOCKED.
- △ソルダータール半田付け面のズレ量、及び金具半田付け面のズレ量は、基準面 H に対し上方向 0.1 MAX. , 下方向 0.15MAX. とする。
MISALIGNMENT OF SOLDER TAILS AND FITTING NAILS FROM H UPPER DIRECTION: 0.1 MAX. , LOWER DIRECTION: 0.15MAX.
- △偶数極に適用。
APPLY FOR EVEN CIRCUIT.
- △パターンはくり止め用金具。
FITTING NAIL FOR PREVENTION OF PEELING OF P.C.B. PATTERN.
- △R0.3は、FPCの導体部にかからないこと。
R0.3 MUST NOT BE OVERLAPPED TO PATTERN OF FPC.
- 本製品は52435-***27の鉛フリー品です。
THIS PRODUCT IS LEAD FREE OF 52435-***27.

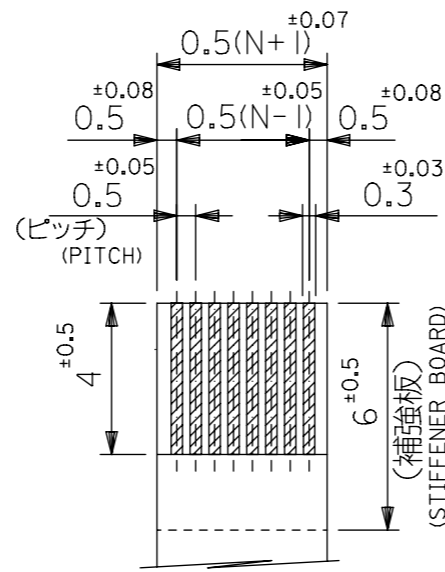
52435-***26 MODEL NO.

THIS DRAWING CONTAINS INFORMATION THAT IS PROPRIETARY TO MOLEX ELECTRONIC TECHNOLOGIES, LLC AND SHOULD NOT BE USED WITHOUT WRITTEN PERMISSION		CURRENT REV DESC:		molex	
DIMENSION UNITS	SCALE				
mm	NTS			0.5 FPC CONN ZIF FOR SMT R/A (TOP CONTACT) -LEAD FREE-	
GENERAL TOLERANCES (UNLESS SPECIFIED)				PRODUCT CUSTOMER DRAWING	
ANGULAR TOL ± °				DOCUMENT NUMBER	
4 PLACES	±			SD-52435-019	
3 PLACES	±			DOC TYPE	DOC PART
2 PLACES	±			PSD	001
1 PLACE	±			REVISION	
0 PLACES	±			H	
DRAFT WHERE APPLICABLE MUST REMAIN WITHIN DIMENSIONS		THIRD ANGLE PROJECTION	DRAWING	SERIES	MATERIAL NUMBER
			A3-SIZE	52435	CUSTOMER
				GENERAL MARKET	SHEET NUMBER
				1 OF 2	

GENERAL TOLERANCES (UNLESS SPECIFIED)	
10 ^{UNDER}	±0.2
10 ^{OVER} 30 ^{UNDER}	±0.25
30 ^{OVER}	±0.3
ANGULAR	±3°



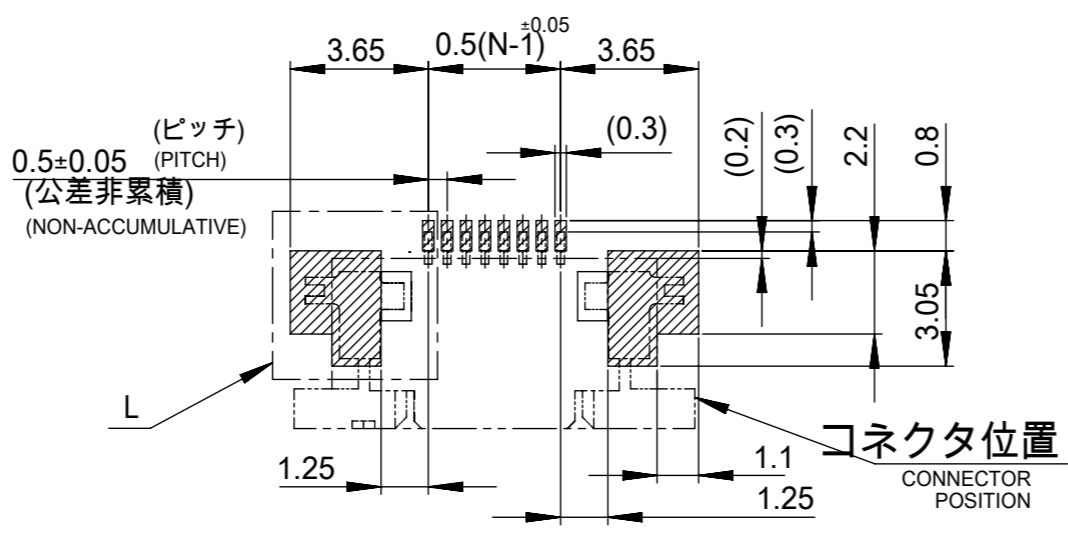
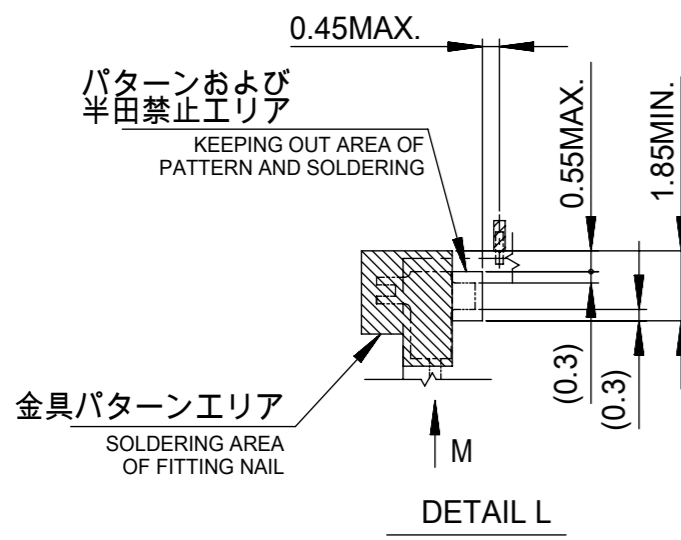
適合FPC推奨寸法
 APPLICABLE FPC
 RECOMMENDED DIMENSION.
 (仕上がり厚さ: 0.3^{±0.05})
 (THICKNESS: 0.3^{±0.05})



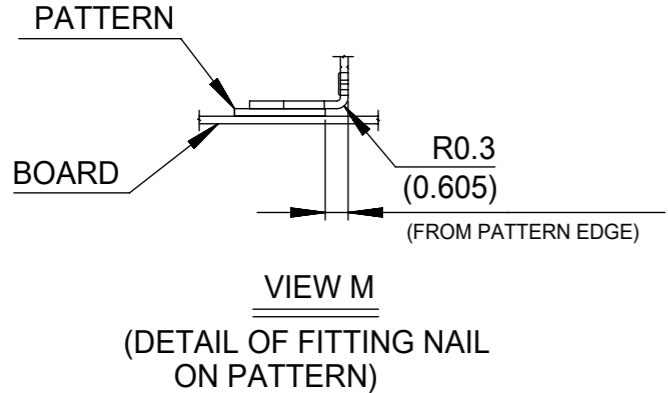
適合FFC推奨寸法
 APPLICABLE FFC
 RECOMMENDED DIMENSION.
 (仕上がり厚さ: 0.3^{±0.05})
 (THICKNESS: 0.3^{±0.05})

FPCについて:
 打抜き方向は導体側から補強板側を推奨致します。
 補強フィルム材質はポリイミドを推奨致します。
 接着剤は熱硬化接着剤を推奨致します。

ABOUT FPC:
 RECOMMENDED PUNCHER DIRECTION : FROM CONDUCTOR SIDE TO STIFFENER BOARD SIDE.
 RECOMMENDED MATERIAL :
 STIFFENER FILM : POLYIMIDE
 BONDING AGENT : THERMOSETTING BONDING AGENT



参考基板レイアウト
 (マウント面)
 RECOMMENDED P.C. BOARD
 PATTERN DIMENSION (REF.)
 (MOUNTING SIDE)

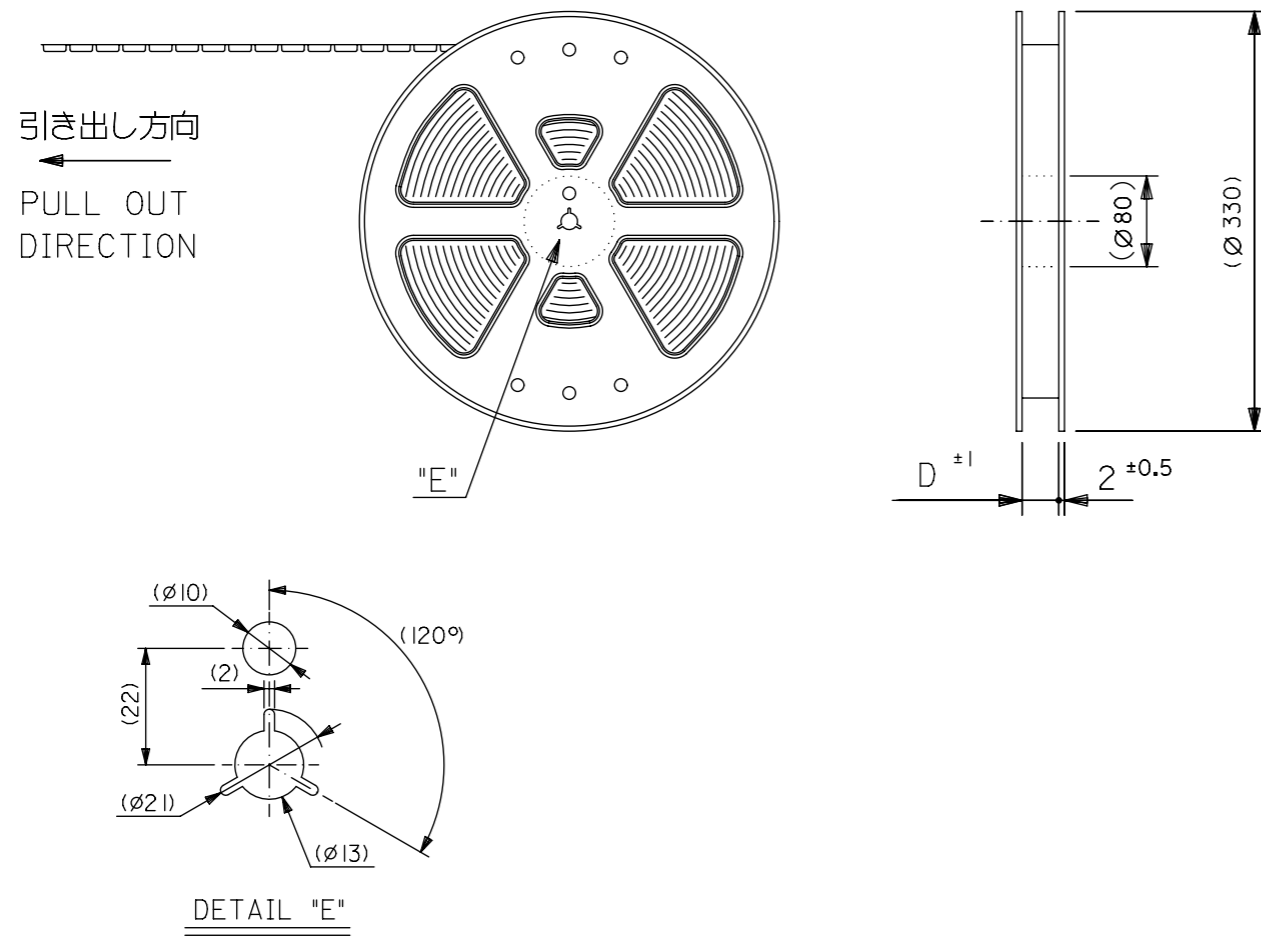


VIEW M
 (DETAIL OF FITTING NAIL
 ON PATTERN)

21.6	19.6	15.65	14.5	52435-3072	52435-3026	30
21.1	19.1	15.15	14.0	-2972	-2926	29
20.6	18.6	14.65	13.5	-2872	-2826	28
20.1	18.1	14.15	13.0	-2772	-2726	27
19.6	17.6	13.65	12.5	-2672	-2626	26
19.1	17.1	13.15	12.0	-2572	-2526	25
18.6	16.6	12.65	11.5	-2472	-2426	24
18.1	16.1	12.15	11.0	-2372	-2326	23
17.6	15.6	11.65	10.5	-2272	-2226	22
17.1	15.1	11.15	10.0	52435-2172	52435-2126	21
D	C	B	(A)	EMBOSSED TAPE	MATERIAL NO.	極数 CKT.
				ORDER No. オーダー番号		

THIS DRAWING CONTAINS INFORMATION THAT IS PROPRIETARY TO MOLEX ELECTRONIC TECHNOLOGIES, LLC AND SHOULD NOT BE USED WITHOUT WRITTEN PERMISSION

DIMENSION UNITS	SCALE	CURRENT REV DESC.	molex		
mm	NTS				
GENERAL TOLERANCES (UNLESS SPECIFIED)			0.5 FPC CONN ZIF FOR SMT R/A (TOP CONTACT) - LEAD FREE-		
ANGULAR TOL ± °			PRODUCT CUSTOMER DRAWING		
4 PLACES ±		EC NO: 719890	DOCUMENT NUMBER		
3 PLACES ±		DRWN: NARENC	2022/08/23	DOC TYPE	DOC PART
2 PLACES ±		CHK'D: SMARUYAMA	2022/09/05	REVISION	
1 PLACE ±		APPR: YNAITO	2022/09/05		
0 PLACES ±		INITIAL REVISION:			
DRAFT WHERE APPLICABLE MUST REMAIN WITHIN DIMENSIONS			DRWN: YMAEDA	2005/11/15	
			APPR: NUKITA	2005/11/21	
			THIRD ANGLE PROJECTION	DRAWING	SERIES
			⊕	A3-SIZE	52435
			MATERIAL NUMBER	CUSTOMER	SHEET NUMBER
			SD-52435-019	GENERAL MARKET	2 OF 2

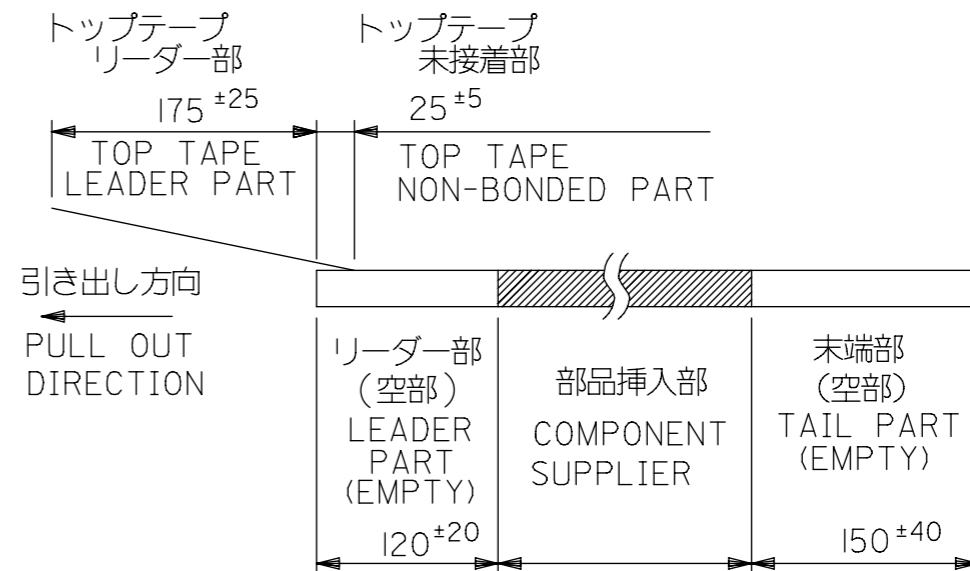


5. 材料 (MATERIAL)
 キャリアテープ (CARRIER TAPE): ポリプロピレン (POLYPROPYLENE)
 トップテープ (TOPTAPE): PET, PE, PEF
 リール (REEL): ポリスチレン (PS) <リサイクル材を含む>
 POLYSTYREN (PS) <RECYCLE MATERIAL CONTAINED>

6. 本製品は52435-**-91の鉛フリー品です。
 THIS PRODUCT IS LEAD FREE OF 52435-**-91.

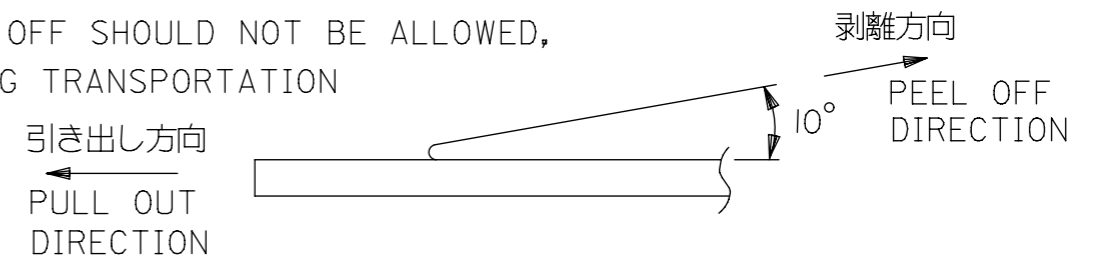
注記 NOTES

- 製品番号 52435-**-26 の梱包状態はアクチュエータがロックした状態とする。
 詳細寸法については図面 SD-52435- 019 を参照下さい。
 IN THE PACKAGE, ACTUATOR OF PART NO. 52435-**-26 SHOULD BE LOCKED RE DETAILED DIMENSIONS, SEE SD-52435- 019
- 梱包数量: 1000個/リール
 NUMBER OF CONNECTORS: 1000PCS/REEL
- リードテープ長さ LEAD TAPE LENGTH

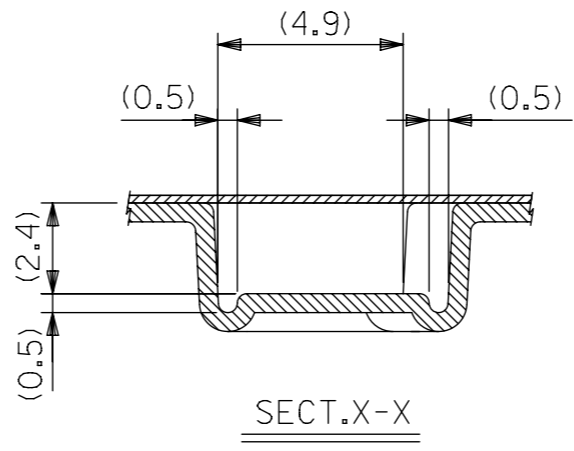
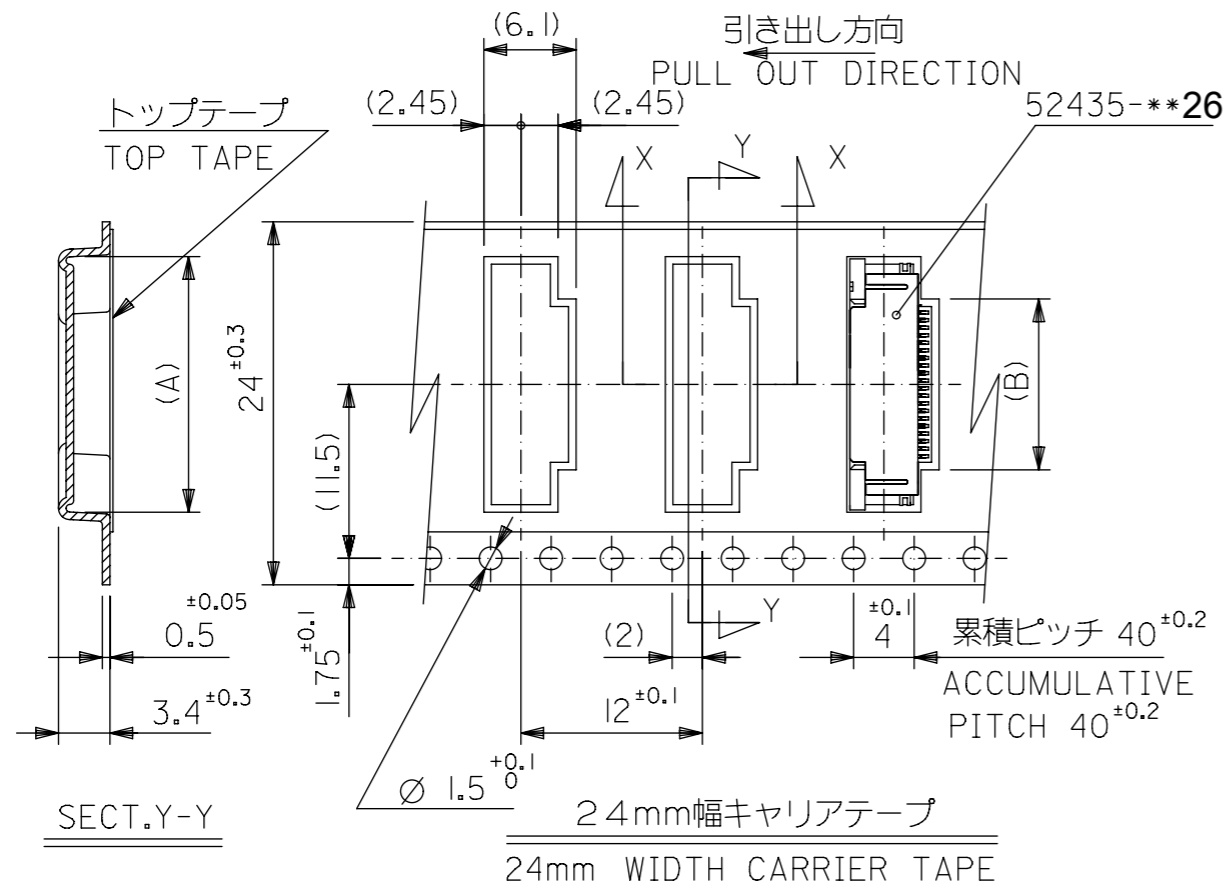


- トップテープの剥離強度: (剥離方向は下図参照)
 0.1N ~ 1.3N (10gf ~ 130gf) 尚、本規格値は、出荷時に適用。
 (但し、輸送時に剥離が発生しない事。)

PEELING OFF FORCE OF TOP TAPE
 0.1N ~ 1.3N (10gf ~ 130gf) (PEELING DIRECTION AS SHOWN IN FOLLOWING FIG.)
 THIS REQUIREMENT SHOULD BE APPLIED AT SHIPMENT
 PEEL OFF SHOULD NOT BE ALLOWED,
 DURING TRANSPORTATION

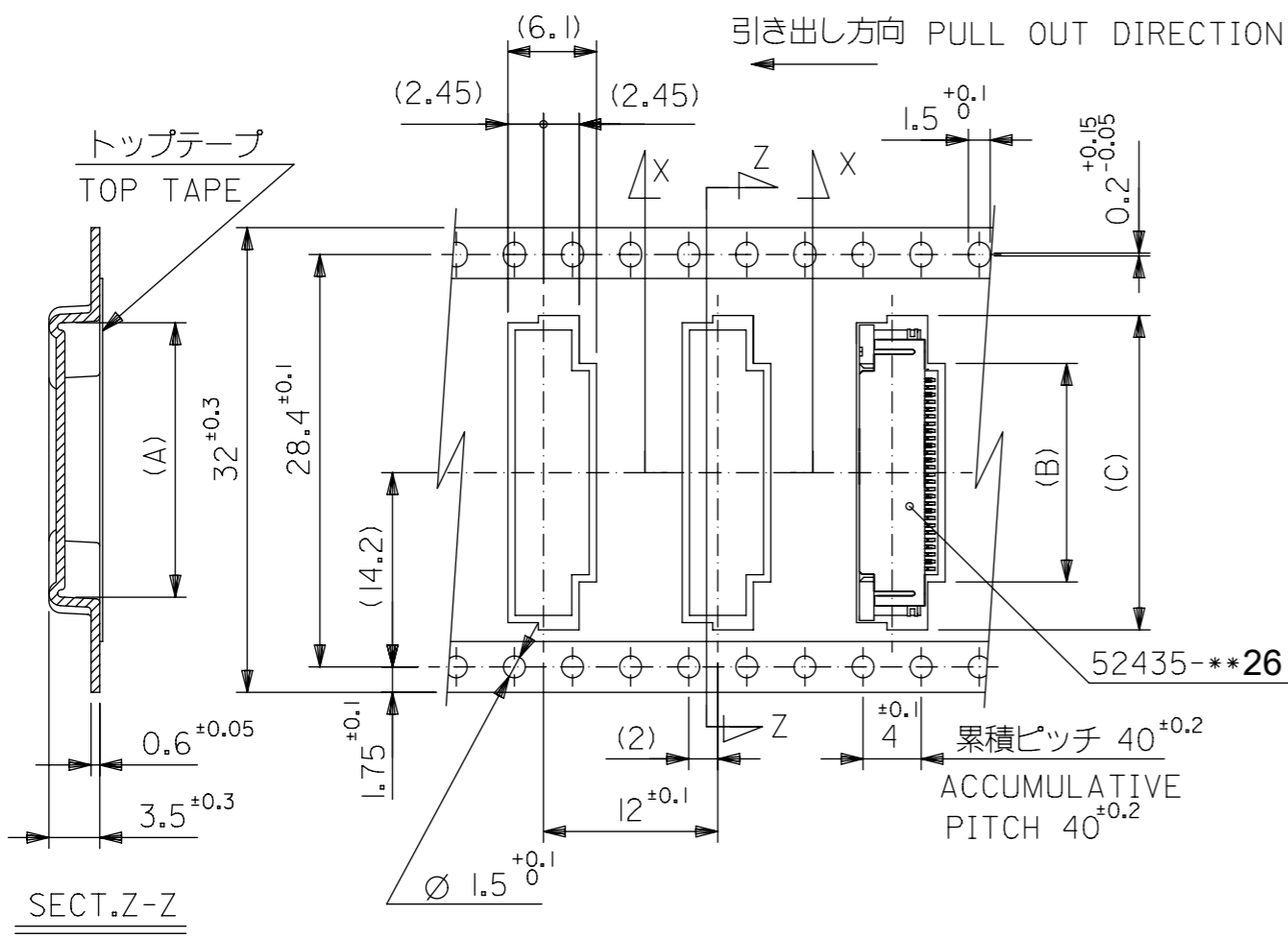


THIS DRAWING CONTAINS INFORMATION THAT IS PROPRIETARY TO MOLEX ELECTRONIC TECHNOLOGIES, LLC AND SHOULD NOT BE USED WITHOUT WRITTEN PERMISSION		CURRENT REV DESC:		molex	
DIMENSION UNITS	SCALE				
mm	NTS			PRODUCT CUSTOMER DRAWING	
GENERAL TOLERANCES (UNLESS SPECIFIED)		GENERAL TOLERANCES (UNLESS SPECIFIED)		DOCUMENT NUMBER	
ANGULAR TOL ± 3.0°		ANGULAR TOL ± 3.0°		SD-52435-020	
4 PLACES ±		4 PLACES ±		DOC TYPE	
3 PLACES ±		3 PLACES ±		PSD	
2 PLACES ±		2 PLACES ±		DOC PART	
1 PLACE ±		1 PLACE ±		001	
0 PLACES ±		0 PLACES ±		REVISION	
				E	
DRAFT WHERE APPLICABLE MUST REMAIN WITHIN DIMENSIONS		THIRD ANGLE PROJECTION		SHEET NUMBER	
				1 OF 3	
GENERAL TOLERANCES (UNLESS SPECIFIED)		EC NO: 719890		SERIES	
10 ^{UNDER} ±0.2		DRWN: NARENC 2022/08/23		52435	
10 ^{OVER} 30 ^{UNDER} ±0.25		CHK'D: SMARUYAMA 2022/09/05		MATERIAL NUMBER	
30 ^{OVER} ±0.3		APPR: YNAITO 2022/09/05		SEE TABLE	
ANGULAR ±3°		INITIAL REVISION:		CUSTOMER	
		DRWN: YMAEDA 2005/11/15		GENERAL MARKET	
		APPR: NUKITA 2005/11/21			



24	25.5	11.8	17.4	52435-2172	21
キャリアテープ幅 CARRIER TAPE WIDTH	D	(B)	(A)	ENG. NO.	極数 CIRCUIT

24mm幅キャリアテープ
24mm WIDTH CARRIER TAPE



32	33.5	22.4	15.8	21.4	52435-2972	29
		21.9	15.3	20.9	-2872	28
		21.4	14.8	20.4	-2772	27
		20.9	14.3	19.9	-2672	26
		20.4	13.8	19.4	-2572	25
		19.9	13.3	18.9	-2472	24
		19.4	12.8	18.4	-2372	23
		18.9	12.3	17.9	52435-2272	22
キャリアテープ幅 CARRIER TAPE WIDTH	D	(C)	(B)	(A)	ENG. NO.	極数 CIRCUIT

32mm幅キャリアテープ
32mm WIDTH CARRIER TAPE

GENERAL TOLERANCES (UNLESS SPECIFIED)

10 ^{UNDER}	±0.2
10 ^{OVER} 30 ^{UNDER}	±0.25
30 ^{OVER}	±0.3
ANGULAR	±3°

THIS DRAWING CONTAINS INFORMATION THAT IS PROPRIETARY TO MOLEX ELECTRONIC TECHNOLOGIES, LLC AND SHOULD NOT BE USED WITHOUT WRITTEN PERMISSION

DIMENSION UNITS: mm SCALE: NTS

GENERAL TOLERANCES (UNLESS SPECIFIED): ANGULAR TOL ± 3.0°

4 PLACES ±, 3 PLACES ±, 2 PLACES ±, 1 PLACE ±, 0 PLACES ±

DRAFT WHERE APPLICABLE MUST REMAIN WITHIN DIMENSIONS

THIRD ANGLE PROJECTION

DRAWING: A3-SIZE

SERIES: 52435

MATERIAL NUMBER: SEE TABLE

CUSTOMER: GENERAL MARKET

SHEET NUMBER: 2 OF 3

EC NO: 719890
DRWN: NARENC 2022/08/23
CHK'D: SMARUYAMA 2022/09/05
APPR: YNAITO 2022/09/05

INITIAL REVISION:
DRWN: YMAEDA 2005/11/15
APPR: NUKITA 2005/11/21

molex

0.5 FPC CONN ZIF SMT R/A WITH TAPE EMBSTP PKG -LEAD FREE-

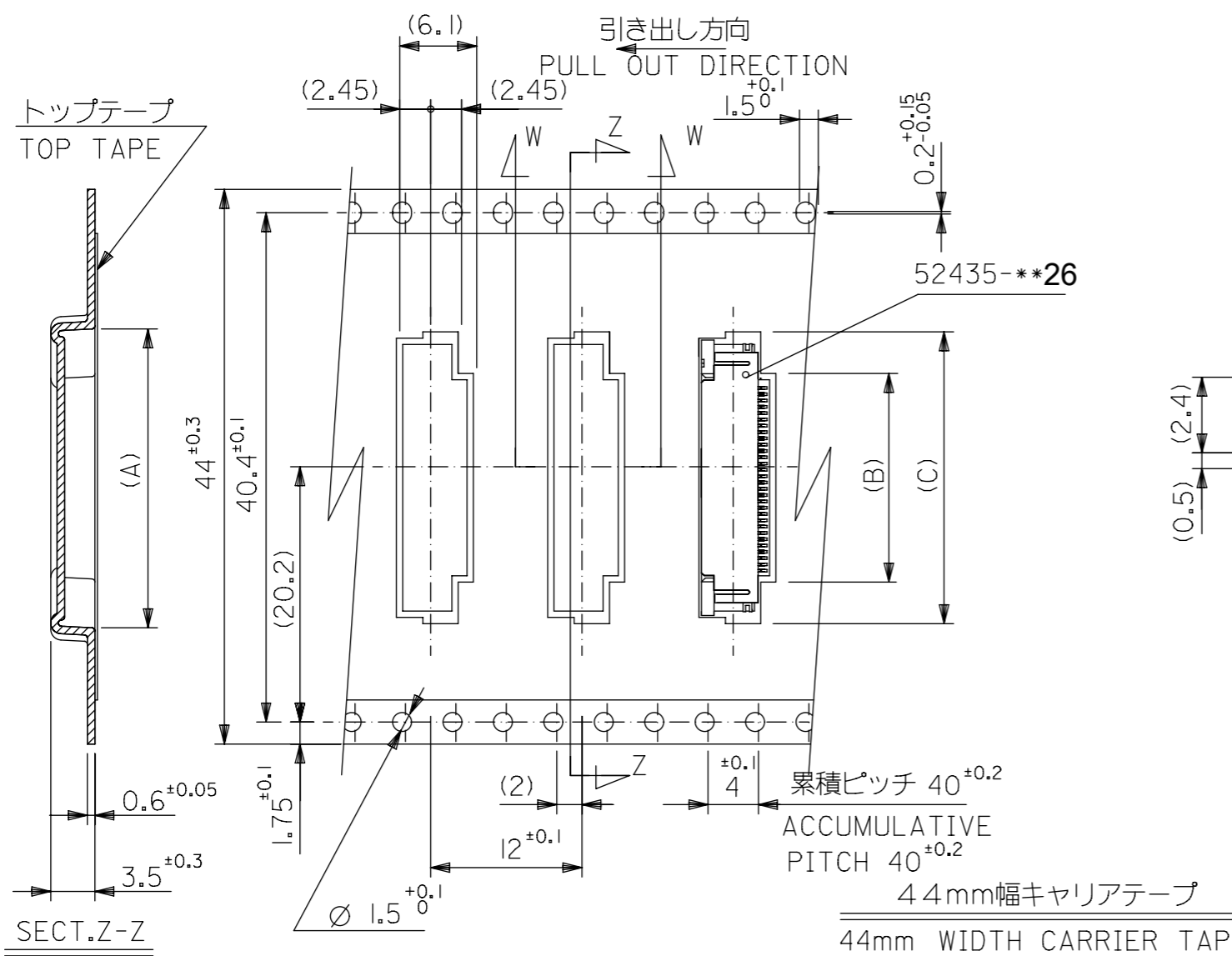
PRODUCT CUSTOMER DRAWING

DOCUMENT NUMBER: SD-52435-020

DOC TYPE: PSD

DOC PART: 001

REVISION: E



44	45.5	22.9	16.3	21.9	52435-3072	30
キャリアテープ幅 CARRIER TAPE WIDTH	D	(C)	(B)	(A)	ENG. NO.	極数 CIRCUIT

THIS DRAWING CONTAINS INFORMATION THAT IS PROPRIETARY TO MOLEX ELECTRONIC TECHNOLOGIES, LLC AND SHOULD NOT BE USED WITHOUT WRITTEN PERMISSION

DIMENSION UNITS mm	SCALE NTS	CURRENT REV DESC:	
GENERAL TOLERANCES (UNLESS SPECIFIED)		molex 0.5 FPC CONN ZIF SMT R/A WITH TAPE EMBSTP PKG -LEAD FREE- PRODUCT CUSTOMER DRAWING	
ANGULAR TOL ± 3.0°			
4 PLACES ±	3 PLACES ±	EC NO: 719890	2022/08/23
2 PLACES ±	1 PLACE ±	DRWN: NARENC	2022/09/05
0 PLACES ±		CHK'D: SMARUYAMA	2022/09/05
DRAFT WHERE APPLICABLE MUST REMAIN WITHIN DIMENSIONS		APPR: YNAITO	2022/09/05
THIRD ANGLE PROJECTION		INITIAL REVISION:	DOCUMENT NUMBER
DRAWING		DRWN: YMAEDA	SD-52435-020
SERIES		APPR: NUKITA	DOC TYPE
A3-SIZE		2005/11/15	PSD
52435		2005/11/21	DOC PART
SEE TABLE		MATERIAL NUMBER	001
GENERAL MARKET		CUSTOMER	E
3 OF 3		SHEET NUMBER	