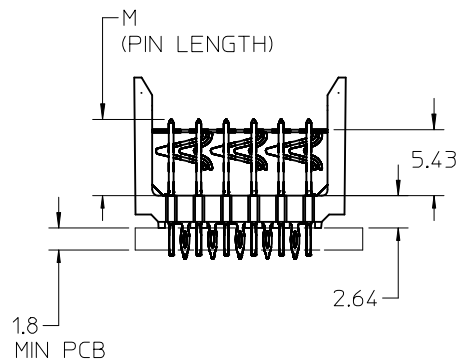
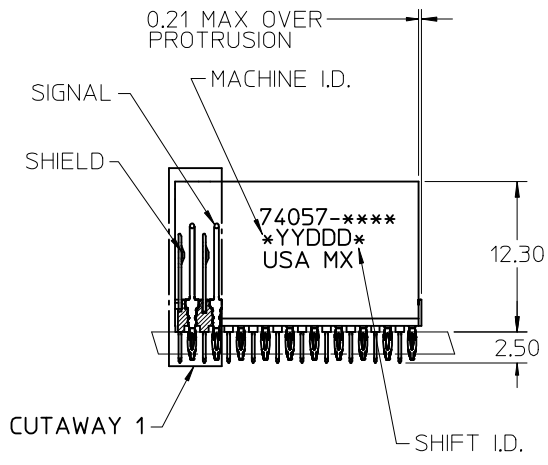


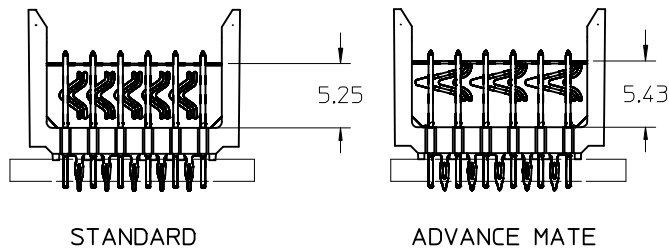
**BACKPLANE HOLE PATTERN  
RECOMMENDED DIMENSION**

THE PRIMARY CARTON WITH A LABEL STATING "ELV AND RoHS COMPLIANT" IS LEAD FREE. CARTONS WITHOUT THIS LABEL MAY CONTAIN LEAD.



**NOTES:**

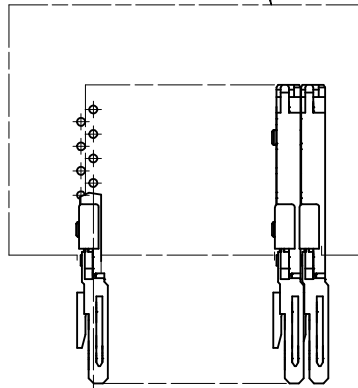
- MATERIAL: HOUSING -LIQUID CRYSTAL POLYMER (LCP), GLASS-FILLED, UL 94 V-0. COLOR BLACK. SIGNAL & SHIELD -COPPER ALLOY.
- FINISHES:  
CONTACT AREA: SELECTIVE GOLD (Au) 0.25 (MAPS), 0.76, OR 1.27 micrometer THICKNESS  
PCB TAILS: SELECTIVE MATTE TIN (Sn) NICKEL (Ni) OVERALL.
- THIS PART CONFORMS TO MOLEX PRODUCT SPECIFICATION PS-74031-999.
- FOR MIXED CONTACT MATING LENGTHS CONSULT MOLEX FOR AVAILABILITY.
- FOR SPECIFIC PART NUMBER AND MATING INFORMATION REFER TO SHEET 2.
- PACKAGE PER: PK-74057-003.
- EITHER MARK PART NUMBER AND DATE CODE APPROXIMATELY WHERE SHOWN OR PLACE LABEL ON THE TUBE.
- MAPS (MOLEX ADVANCED PLATING SYSTEM).



<b>LEAD FREE CONVERSION</b> EC NO: UCP2013-0687 TDR:WNR/WHIPPLE 2012/11/19 CHKD:MWOLFE 2012/11/19 APPR:SMILLER 2012/12/14 REV DESCRIPTION	QUALITY SYMBOLS	GENERAL TOLERANCES (UNLESS SPECIFIED)	DIMENSION STYLE MM ONLY	SCALE 2.5:1	DESIGN UNITS METRIC	THIRD ANGLE PROJECTION
	$\nabla/0$	4 PLACES ± --- ± ---	mm INCH	DRAWN BY DATE	TITLE <b>VHDM 6 ROW ADVANCE MATE OPEN END BACKPLANE SALES DRAWING</b> 	SHEET NO. 1 OF 3
	$\nabla/0$	3 PLACES ± --- ± ---	mm INCH	CHECKED BY DATE		
	$\nabla/0$	2 PLACES ± 0.25 ± ---	mm INCH	JLAURX 2001/08/22		
$\nabla/0$	1 PLACE ± 0.38 ± ---	mm INCH	APPROVED BY DATE			
		0 PLACE ± ±	mm INCH	CBIXLER 2001/08/22	DOCUMENT NO.	
		ANGULAR ±1/2° DRAFT WHERE APPLICABLE MUST REMAIN WITHIN DIMENSIONS		MATERIAL NO.	SD-74057-003	
			SIZE B	SEE TABLE	THIS DRAWING CONTAINS INFORMATION THAT IS PROPRIETARY TO MOLEX INCORPORATED AND SHOULD NOT BE USED WITHOUT WRITTEN PERMISSION	

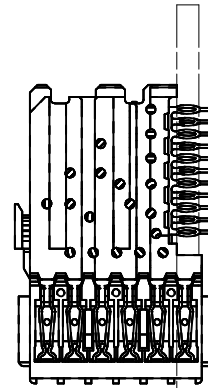
10 9 8 7 6 5 4 3 2 1

DAUGHTERCARD  
CONNECTOR SIDE

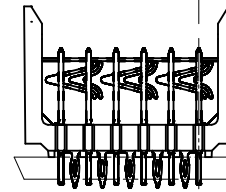
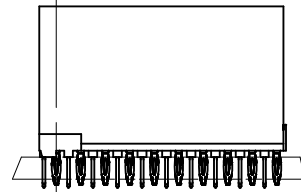


0.41 OFFSET  
SIGNAL TO  
SIGNAL

0.66  
TOP DAUGHTERCARD  
PCB TO CENTER  
OF ROW A



ROW A



SEE SHEET 1 EC NO: UCP2013-0687 TDRWN:RWHIPPLE 2012/11/19 CHKD:MWOLFE 2012/11/19 APPR:SMILLER 2012/12/14	QUALITY SYMBOLS ▽=0 ▽=0 ▽=0	GENERAL TOLERANCES (UNLESS SPECIFIED)		DIMENSION STYLE MM ONLY		SCALE 2.5:1	DESIGN UNITS METRIC	THIRD ANGLE PROJECTION		
		mm INCH		DRAWN BY MOWANG	DATE 2001/08/20	TITLE VHDM 6 ROW ADVANCE MATE OPEN END BACKPLANE SALES DRAWING <b>molex</b>				
		4 PLACES ± --- ± ---	3 PLACES ± --- ± ---	CHECKED BY JLAURX	DATE 2001/08/22					
		2 PLACES ± 0.25 ± ---	1 PLACE ± 0.38 ± ---	APPROVED BY CBIXLER	DATE 2001/08/22	MATERIAL NO. SEE TABLE		DOCUMENT NO. SD-74057-003	SHEET NO. 2 OF 3	
ANGULAR ± 1/2° DRAFT WHERE APPLICABLE MUST REMAIN WITHIN DIMENSIONS		THIS DRAWING CONTAINS INFORMATION THAT IS PROPRIETARY TO MOLEX INCORPORATED AND SHOULD NOT BE USED WITHOUT WRITTEN PERMISSION								

9 8 7 6 5 4 3 2 1

PART NUMBER	COLUMN	NUMBER OF SIGNAL PIN	NUMBER OF SHIELD	A	B	M	GOLD THICKNESS MICROMETER	TIN THICKNESS MICROMETER
74057-6101	10	60	10	20.00	18.00	4.75	0.25 MAPS	0.76-1.52
74057-*101							0.76	
74057-*106							1.27	
74057-7601	25	150	25	50.00	48.00		0.25 MAPS	
74057-*601							0.76	
74057-*606							1.27	
74057-6102	10	60	10	20.00	18.00	6.25	0.25 MAPS	
74057-*102							0.76	
74057-*107							1.27	
74057-7602	25	150	25	50.00	48.00		0.25 MAPS	
74057-*602							0.76	
74057-*607							1.27	
74057-6103	10	60	10	20.00	18.00	4.25	0.25 MAPS	
74057-*103							0.76	
74057-*108							1.27	
74057-7603	25	150	25	50.00	48.00		0.25 MAPS	
74057-*603							0.76	
74057-*608							1.27	
74057-6104	10	60	10	20.00	18.00	5.15	0.25 MAPS	
74057-*104							0.76	
74057-*109							1.27	
74057-7604	25	150	25	50.00	48.00		0.25 MAPS	
74057-*604							0.76	
74057-*609							1.27	

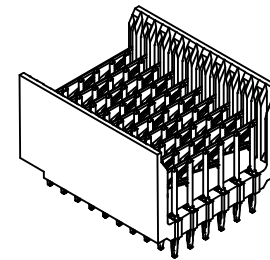
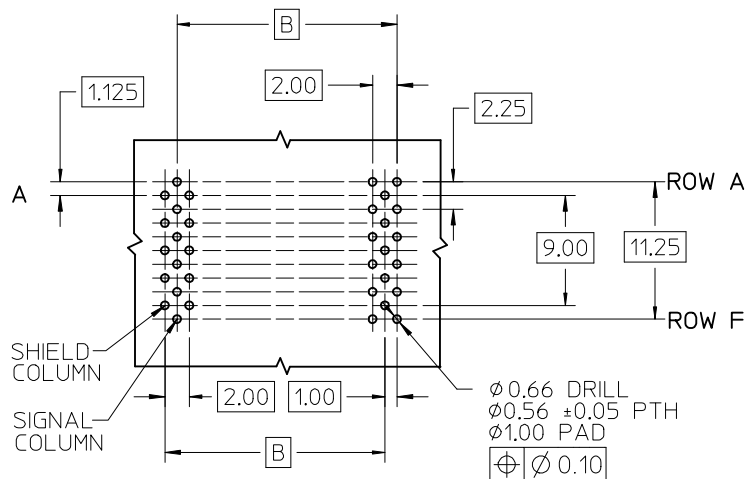
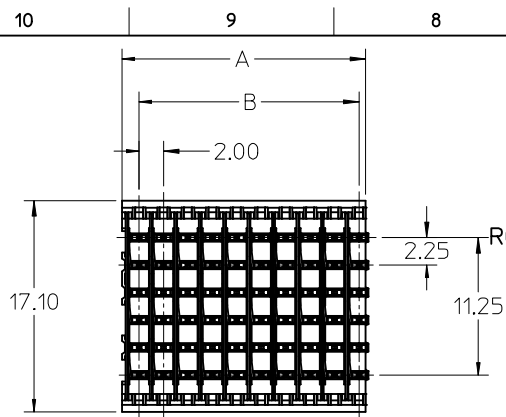
**MATERIAL NUMBER ASSIGNMENT**

74057-\*\*\*0\*

SEE TABLE  
NUMBER OF COLUMNS/PLATING

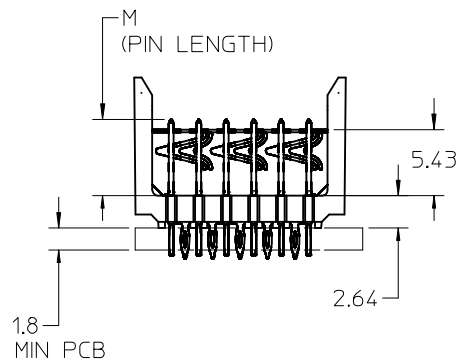
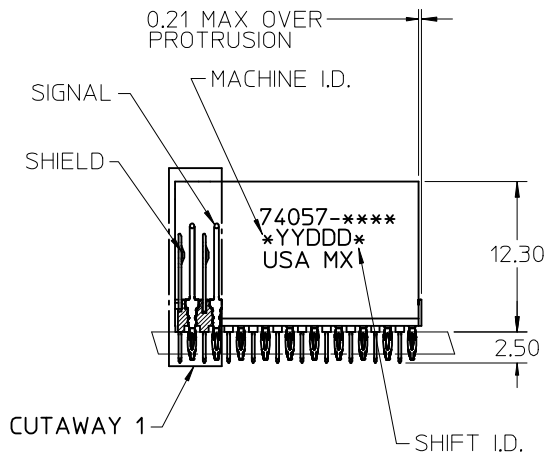
- 11 = 10 COLUMN MATTE TIN (FORMERLY TIN/LEAD)
- 26 = 25 COLUMN MATTE TIN (FORMERLY TIN/LEAD)
- 61 = 10 COLUMN MATTE TIN (MAPS)
- 76 = 25 COLUMN MATTE TIN (MAPS)
- 91 = 10 COLUMN MATTE TIN
- 86 = 25 COLUMN MATTE TIN

SEE SHEET 1 EC NO: UCP2013-0687 TDR:WHRHIPPLE 2012/11/19 CHKD:HWOLFE 2012/11/19 APPR:SMILLER 2012/12/14	QUALITY SYMBOLS	GENERAL TOLERANCES (UNLESS SPECIFIED)	DIMENSION STYLE	SCALE	DESIGN UNITS	THIRD ANGLE PROJECTION
	$\nabla F/0$ $\nabla F/0$ $\nabla F/0$	mm	MM ONLY	1:1	METRIC	TITLE VHDM 6 ROW ADVANCE MATE OPEN END BACKPLANE SALES DRAWING <b>molex</b> DOCUMENT NO. SD-74057-003 SHEET NO. 3 OF 3
		INCH	DRAWN BY DATE			
		4 PLACES ± --- ± --- 3 PLACES ± --- ± --- 2 PLACES ± 0.25 ± --- 1 PLACE ± 0.38 ± --- 0 PLACE ± ±	CHECKED BY DATE			
ANGULAR ± 1/2° DRAFT WHERE APPLICABLE MUST REMAIN WITHIN DIMENSIONS	APPROVED BY DATE					
REV	DESCRIPTION	MATERIAL NO.	SEE TABLE	THIS DRAWING CONTAINS INFORMATION THAT IS PROPRIETARY TO MOLEX INCORPORATED AND SHOULD NOT BE USED WITHOUT WRITTEN PERMISSION		



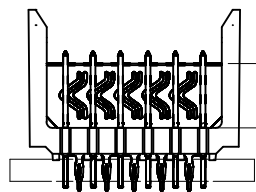
BACKPLANE HOLE PATTERN  
RECOMMENDED DIMENSION

THE PRIMARY CARTON WITH A LABEL STATING "ELV AND RoHS COMPLIANT" IS LEAD FREE. CARTONS WITHOUT THIS LABEL MAY CONTAIN LEAD.

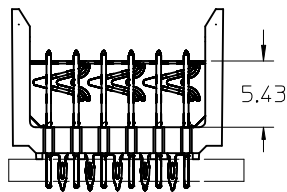


NOTES:

- MATERIAL: HOUSING -LIQUID CRYSTAL POLYMER (LCP), GLASS-FILLED, UL 94 V-0. COLOR BLACK. SIGNAL & SHIELD -COPPER ALLOY.
- FINISHES:  
CONTACT AREA: SELECTIVE GOLD (Au) 0.25 (MAPS), 0.76, OR 1.27 micrometer THICKNESS  
PCB TAILS: SELECTIVE MATTE TIN (Sn) NICKEL (Ni) OVERALL.
- THIS PART CONFORMS TO MOLEX PRODUCT SPECIFICATION PS-74031-999.
- FOR MIXED CONTACT MATING LENGTHS CONSULT MOLEX FOR AVAILABILITY.
- FOR SPECIFIC PART NUMBER AND MATING INFORMATION REFER TO SHEET 2.
- PACKAGE PER: PK-74057-003.
- EITHER MARK PART NUMBER AND DATE CODE APPROXIMATELY WHERE SHOWN OR PLACE LABEL ON THE TUBE.
- MAPS (MOLEX ADVANCED PLATING SYSTEM).



STANDARD

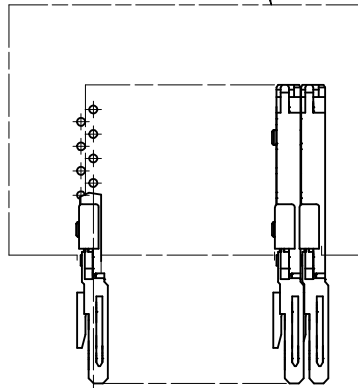


ADVANCE MATE

LEAD FREE CONVERSION EC NO: UCP2013-0687 DIR: WNR/WHIPPLE 2012/11/19 CHKD: MWOLFE 2012/11/19 APPR: SMILLER 2012/12/14	QUALITY SYMBOLS $\nabla E=0$ $\nabla E=0$ $\nabla E=0$	GENERAL TOLERANCES (UNLESS SPECIFIED)		DIMENSION STYLE MM ONLY		SCALE 2.5:1	DESIGN UNITS METRIC	THIRD ANGLE PROJECTION	
		mm	INCH	DRAWN BY MOWANG	DATE 2001/08/20	TITLE	VHDM 6 ROW ADVANCE MATE OPEN END BACKPLANE SALES DRAWING <b>molex</b>		
4 PLACES ± --- ± ---		3 PLACES ± --- ± ---		CHECKED BY JLAURX		DATE 2001/08/22			
2 PLACES ± 0.25 ± ---		1 PLACE ± 0.38 ± ---		APPROVED BY CBIXLER		DATE 2001/08/22	SHEET NO. 1 OF 3		
0 PLACE ± ±		ANGULAR ±1/2° DRAFT WHERE APPLICABLE MUST REMAIN WITHIN DIMENSIONS		MATERIAL NO. SEE TABLE		THIS DRAWING CONTAINS INFORMATION THAT IS PROPRIETARY TO MOLEX INCORPORATED AND SHOULD NOT BE USED WITHOUT WRITTEN PERMISSION			

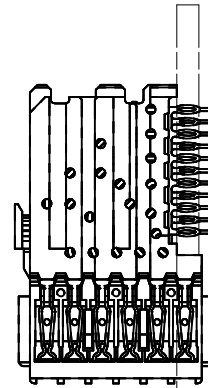
10 9 8 7 6 5 4 3 2 1

DAUGHTERCARD  
CONNECTOR SIDE

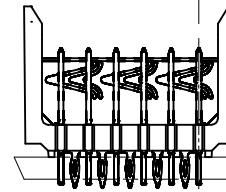
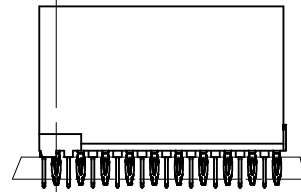


0.41 OFFSET  
SIGNAL TO  
SIGNAL

0.66  
TOP DAUGHTERCARD  
PCB TO CENTER  
OF ROW A



ROW A



SEE SHEET 1 EC NO: UCP2013-0687 TDRWN:RWHIPPLE 2012/11/19 CHKD:MWOLFE 2012/11/19 APPR:SMILLER 2012/12/14	QUALITY SYMBOLS ▽=0 ▽=0 ▽=0	GENERAL TOLERANCES (UNLESS SPECIFIED)		DIMENSION STYLE MM ONLY		SCALE 2.5:1	DESIGN UNITS METRIC	THIRD ANGLE PROJECTION	
		4 PLACES ± --- ± ---	DRAWN BY MOWANG	DATE 2001/08/20	TITLE VHDM 6 ROW ADVANCE MATE OPEN END BACKPLANE SALES DRAWING <b>molex</b>				
		3 PLACES ± --- ± ---	CHECKED BY JLAURX	DATE 2001/08/22					
		2 PLACES ± 0.25 ± ---	APPROVED BY CBIXLER	DATE 2001/08/22	MATERIAL NO. SEE TABLE	DOCUMENT NO. SD-74057-003	SHEET NO. 2 OF 3		
1 PLACE ± 0.38 ± ---	ANGULAR ± 1/2° DRAFT WHERE APPLICABLE MUST REMAIN WITHIN DIMENSIONS		THIS DRAWING CONTAINS INFORMATION THAT IS PROPRIETARY TO MOLEX INCORPORATED AND SHOULD NOT BE USED WITHOUT WRITTEN PERMISSION						
0 PLACE ± ±			SIZE B						

9 8 7 6 5 4 3 2 1

PART NUMBER	COLUMN	NUMBER OF SIGNAL PIN	NUMBER OF SHIELD	A	B	M	GOLD THICKNESS MICROMETER	TIN THICKNESS MICROMETER
74057-6101	10	60	10	20.00	18.00	4.75	0.25 MAPS	0.76-1.52
74057-*101							0.76	
74057-*106							1.27	
74057-7601	25	150	25	50.00	48.00		0.25 MAPS	
74057-*601							0.76	
74057-*606							1.27	
74057-6102	10	60	10	20.00	18.00	6.25	0.25 MAPS	
74057-*102							0.76	
74057-*107							1.27	
74057-7602	25	150	25	50.00	48.00		0.25 MAPS	
74057-*602							0.76	
74057-*607							1.27	
74057-6103	10	60	10	20.00	18.00	4.25	0.25 MAPS	
74057-*103							0.76	
74057-*108							1.27	
74057-7603	25	150	25	50.00	48.00		0.25 MAPS	
74057-*603							0.76	
74057-*608							1.27	
74057-6104	10	60	10	20.00	18.00	5.15	0.25 MAPS	
74057-*104							0.76	
74057-*109							1.27	
74057-7604	25	150	25	50.00	48.00		0.25 MAPS	
74057-*604							0.76	
74057-*609							1.27	

**MATERIAL NUMBER ASSIGNMENT**

74057-\*\*\*0\*

SEE TABLE

NUMBER OF COLUMNS/PLATING

- 11 = 10 COLUMN MATTE TIN (FORMERLY TIN/LEAD)
- 26 = 25 COLUMN MATTE TIN (FORMERLY TIN/LEAD)
- 61 = 10 COLUMN MATTE TIN (MAPS)
- 76 = 25 COLUMN MATTE TIN (MAPS)
- 91 = 10 COLUMN MATTE TIN
- 86 = 25 COLUMN MATTE TIN

SEE SHEET 1 EC NO: UCP2013-0687 TDR:WHRH/PPLE 2012/11/19 CHKD:HWOLF 2012/11/19 APPR:SMILLER 2012/12/14	QUALITY SYMBOLS	GENERAL TOLERANCES (UNLESS SPECIFIED)	DIMENSION STYLE	SCALE	DESIGN UNITS	THIRD ANGLE PROJECTION
	$\nabla F/0$ $\nabla F/0$ $\nabla F/0$	mm	MM ONLY	1:1	METRIC	TITLE VHDM 6 ROW ADVANCE MATE OPEN END BACKPLANE SALES DRAWING <b>molex</b> DOCUMENT NO. SD-74057-003 SHEET NO. 3 OF 3
		INCH	DRAWN BY DATE			
		4 PLACES ± --- ± --- 3 PLACES ± --- ± --- 2 PLACES ± 0.25 ± --- 1 PLACE ± 0.38 ± --- 0 PLACE ± ±	CHECKED BY DATE			
ANGULAR ± 1/2° DRAFT WHERE APPLICABLE MUST REMAIN WITHIN DIMENSIONS	APPROVED BY DATE					
REV	DESCRIPTION	MATERIAL NO.	SIZE	THIS DRAWING CONTAINS INFORMATION THAT IS PROPRIETARY TO MOLEX INCORPORATED AND SHOULD NOT BE USED WITHOUT WRITTEN PERMISSION		