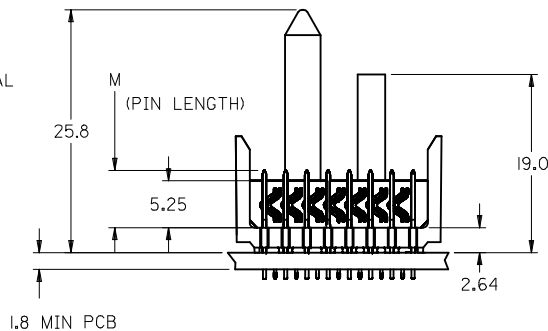
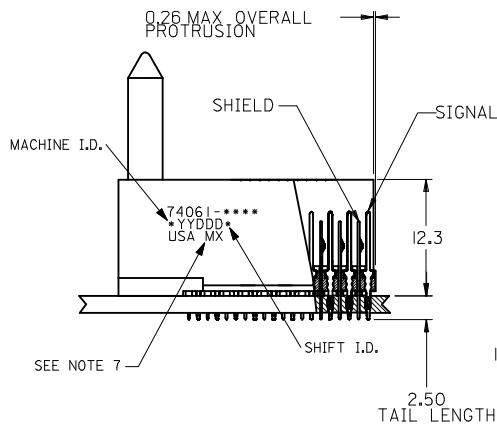


BACKPLANE HOLE PATTERN
RECOMMENDED DIMENSION

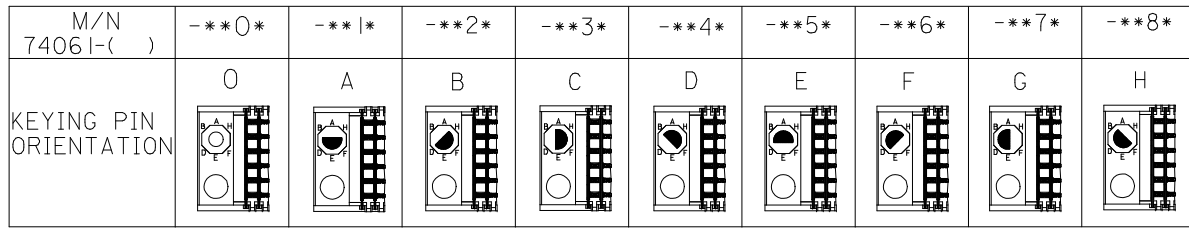


NOTES:

1. MATERIALS:
HOUSING - LIQUID CRYSTAL POLYMER (LCP),
GLASS-FILLED, UL 94V-0, COLOR: BLACK
SIGNAL PIN & SHIELD - COPPER ALLOY
2. FINISHES:
CONTACT AREA: SELECTIVE GOLD (Au)
PCB TAILS: SELECTIVE MATTE TIN (Sn)
NICKEL (Ni) OVERALL.
3. THIS PART CONFORMS TO MOLEX PRODUCT SPECIFICATION PS-74031-999
4. FOR MIXED CONTACT LENGTHS CONSULT MOLEX FOR AVAILABILITY
5. FOR SPECIFIC MATERIAL NUMBERS & MATING INFORMATION REFER TO SHEET 2
6. PACKAGE PER PK-74061-003
7. MARK PART WITH PART NUMBER & DATE CODE APPROXIMATELY WHERE SHOWN
8. MAPS (MOLEX ADVANCED PLATING SYSTEM).

THE PRIMARY CARTON WITH A LABEL STATING "ELV AND RoHS COMPLAINT" IS LEAD FREE. CARTONS WITHOUT THIS LABEL MAY CONTAIN LEAD.

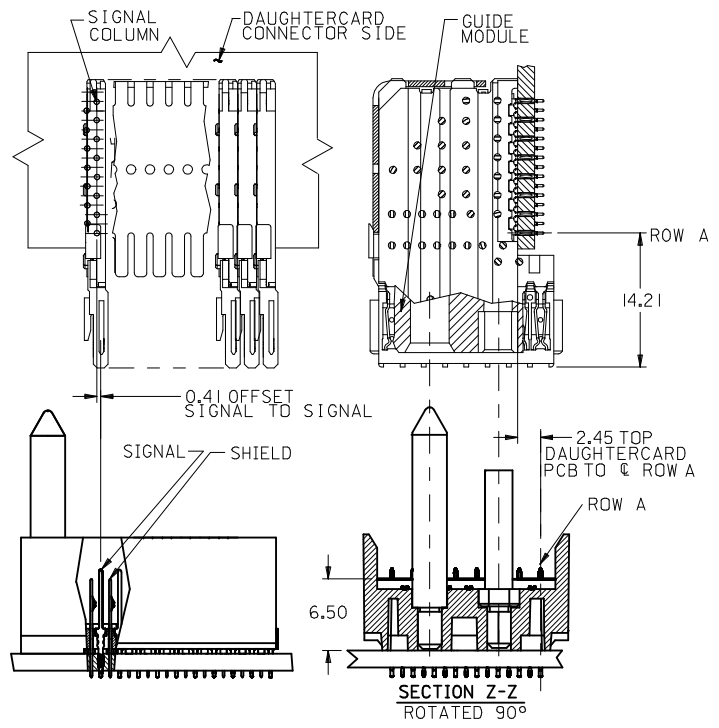
LEAD FREE CONVERSION EC NO: UCP2013-0687 DRAWINGS: 2012/08/23 CHKD: MWOLF 2012/11/20 APPR: SMILLER 2012/12/14 REV:	QUALITY SYMBOLS	GENERAL TOLERANCES (UNLESS SPECIFIED)	DIMENSION STYLE	SCALE	DESIGN UNITS	THIRD ANGLE PROJECTION
	▽=0	mm INCH	MM ONLY	2.5:1	METRIC	
	▽=0	4 PLACES ± --- ± ---	DRAWN BY DATE	TITLE		
	▽=0	3 PLACES ± --- ± ---	CHECKED BY DATE	VHDM 8 ROW SIGNAL END BACKPLANE SALES ASSEMBLY		
		ANGULAR ±1/2°	SDANNELLEY 2010/05/19	DOCUMENT NO.		
		DRAFT WHERE APPLICABLE MUST REMAIN WITHIN DIMENSIONS	APPROVED BY DATE	SD-74061-002		
			SMILLER 2010/07/14	SHEET NO.		
			MATERIAL NO.	1 OF 2		
			SEE SHEET 2	THIS DRAWING CONTAINS INFORMATION THAT IS PROPRIETARY TO MOLEX INCORPORATED AND SHOULD NOT BE USED WITHOUT WRITTEN PERMISSION		



74061 - * * * *

NUMBER OF COLUMNS/PLATING
 10 = 10 COLUMN MATTE TIN (FORMERLY TIN/LEAD)
 12 = 12 COLUMN MATTE TIN (FORMERLY TIN/LEAD)
 25 = 25 COLUMN MATTE TIN (FORMERLY TIN/LEAD)
 60 = 10 COLUMN MATTE TIN (MAPS)
 62 = 12 COLUMN MATTE TIN (MAPS)
 75 = 25 COLUMN MATTE TIN (MAPS)
 90 = 10 COLUMN MATTE TIN
 92 = 12 COLUMN MATTE TIN
 85 = 25 COLUMN MATTE TIN

CONTACT LOAD
 (PIN LENGTH)
 1 & 6 = 4.75
 2 & 7 = 6.25
 3 & 8 = 4.25
 4 & 9 = 5.15



PART NUMBER	COLUMN	NUMBER OF SIGNAL PIN	NUMBER OF SHIELD	A	B	M	GOLD THICKNESS MICROMETER	TIN THICKNESS MICROMETER
74061-60*1	10	80	10	27.00	18.00	4.75	0.25 MAPS	0.76-1.52
74061-*0*1							0.76	
74061-*0*6							1.27	
74061-75*1	25	200	25	57.00	48.00	4.75	0.25 MAPS	
74061-*5*1							0.76	
74061-*5*6							1.27	
74061-60*2	10	80	10	27.00	18.00	6.25	0.25 MAPS	
74061-*0*2							0.76	
74061-*0*7							1.27	
74061-75*2	25	200	25	57.00	48.00	6.25	0.25 MAPS	
74061-*5*2							0.76	
74061-*5*7							1.27	
74061-60*3	10	80	10	27.00	18.00	4.25	0.25 MAPS	
74061-*0*3							0.76	
74061-*0*8							1.27	
74061-75*3	25	200	25	57.00	48.00	4.25	0.25 MAPS	
74061-*5*3							0.76	
74061-*5*8							1.27	
74061-60*4	10	80	10	27.00	18.00	5.15	0.25 MAPS	
74061-*0*4							0.76	
74061-*0*9							1.27	
74061-75*4	25	200	25	57.00	48.00	5.15	0.25 MAPS	
74061-*5*4							0.76	
74061-*5*9							1.27	

PART NUMBER	COLUMN	NUMBER OF SIGNAL PIN	NUMBER OF SHIELD	A	B	M	GOLD THICKNESS MICROMETER	TIN THICKNESS MICROMETER
74061-62*1	12	96	12	31.00	22.00	4.75	0.25 MAPS	0.76-1.52
74061-*2*1							0.76	
74061-*2*6							1.27	
74061-62*2	12	96	12	31.00	22.00	6.25	0.25 MAPS	
74061-*2*2							0.76	
74061-*2*7							1.27	
74061-62*3	12	96	12	31.00	22.00	4.25	0.25 MAPS	
74061-*2*3							0.76	
74061-*2*8							1.27	
74061-62*4	12	96	12	31.00	22.00	5.15	0.25 MAPS	
74061-*2*4							0.76	
74061-*2*9							1.27	

SEE SHEET 1 EC NO: UCP2013-0687 DRAWINGS: 2012/08/23 CHKD: MWOLFE 2012/11/20 APPR: SMILLER 2012/12/14	QUALITY SYMBOLS ∇=0 ∇=0 ∇=0	GENERAL TOLERANCES (UNLESS SPECIFIED) <table border="1"> <tr> <th></th> <th>mm</th> <th>INCH</th> </tr> <tr> <td>4 PLACES</td> <td>± ---</td> <td>± ---</td> </tr> <tr> <td>3 PLACES</td> <td>± ---</td> <td>± ---</td> </tr> <tr> <td>2 PLACES</td> <td>± ---</td> <td>± ---</td> </tr> <tr> <td>1 PLACE</td> <td>± ---</td> <td>± ---</td> </tr> <tr> <td>0 PLACE</td> <td>±</td> <td>±</td> </tr> </table>		mm	INCH	4 PLACES	± ---	± ---	3 PLACES	± ---	± ---	2 PLACES	± ---	± ---	1 PLACE	± ---	± ---	0 PLACE	±	±	DIMENSION STYLE MM ONLY	SCALE 2.5:1	DESIGN UNITS METRIC	THIRD ANGLE PROJECTION
				mm	INCH																			
			4 PLACES	± ---	± ---																			
			3 PLACES	± ---	± ---																			
2 PLACES	± ---	± ---																						
1 PLACE	± ---	± ---																						
0 PLACE	±	±																						
DRAWN BY DATE JMELTON 2010/05/19		CHECKED BY DATE SDANNELLEY 2010/05/19		APPROVED BY DATE SMILLER 2010/07/14		VHDM 8 ROW SIGNAL END BACKPLANE SALES ASSEMBLY DOCUMENT NO. SD-74061-002																		
DRAFT WHERE APPLICABLE MUST REMAIN WITHIN DIMENSIONS		MATERIAL NO. SEE TABLE		SHEET NO. 2 OF 2																				
THIS DRAWING CONTAINS INFORMATION THAT IS PROPRIETARY TO MOLEX INCORPORATED AND SHOULD NOT BE USED WITHOUT WRITTEN PERMISSION																								