

## Flat suction pad (round)

SUF 60 HT1-60 G1/4-IG

Part no...:10.01.01.14082

<https://www.schmalz.com/10.01.01.14082>

Home > Vacuum Technology for Automation > Vacuum Components > Vacuum Suction Cups > Flat Suction Cups (Round) > Flat Suction Cups SUF > SUF 60 HT1-60 G1/4-IG

### Flat suction cup (round) for process safe handling of smooth or slightly rough surfaces



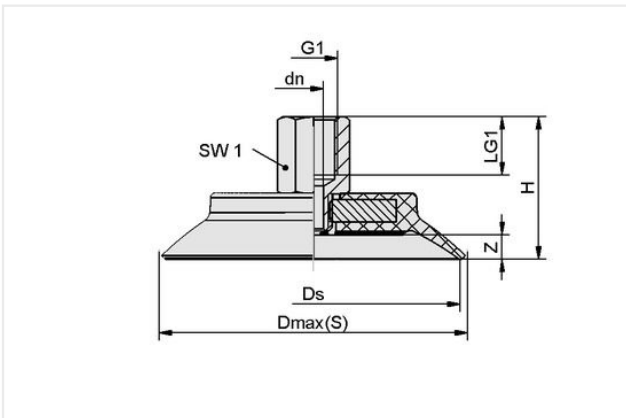
Size: 60

Suction cup material: High temp material HT1

Material hardness [Shore A]: 60 Shore A

Vacuum connection: G1/4"-F

### Design Data



| Attribute  | Value    |
|------------|----------|
| Dmax(S)    | 66.40 mm |
| Ds         | 60 mm    |
| dn         | 5.10 mm  |
| G1         | G1/4"-F  |
| H          | 33.90 mm |
| LG1        | 12 mm    |
| SW1        | 17 mm    |
| Z (Stroke) | 5.50 mm  |

### Technical Data

| Attribute                   | Value                  |
|-----------------------------|------------------------|
| Suction force (-600mbar)    | 140 N                  |
| Pull-off force              | 140 N                  |
| Volume                      | 12.70 cm <sup>3</sup>  |
| Curve radius (min) (convex) | 75 mm                  |
| Hose diameter (empf.) d     | 6 mm                   |
| Size                        | 60                     |
| Suction cup material        | High temp material HT1 |
| Material hardness [Shore A] | 60 Shore A             |

### Contact Schmalz

Schmalz Inc. | 5850 Oak Forest Drive, Raleigh, NC 27616, United States | +1 (919) 713-0880 | [schmalz.us@schmalz.com](mailto:schmalz.us@schmalz.com)



## Flat suction pad (round)

SUF 60 HT1-60 G1/4-IG

Part no...:10.01.01.14082

<https://www.schmalz.com/10.01.01.14082>

|                 |         |
|-----------------|---------|
| Weight          | 40.30 g |
| Product family  | SUF     |
| Number of folds | 0       |

Note: Suction force: The specified suction forces are theoretical values at a vacuum of -0.6 bar and with a dry, smooth and flat workpiece surface - they do not include a safety factor  
Hose diameter: The recommended hose diameter refers to a hose length of approx. 2 m

---