

ELECTRICAL DATA:

VOLTAGE RATING: 5P - 60V,
8P - 30V
AMPERAGE RATING: 5P - 4A
8P - 2A

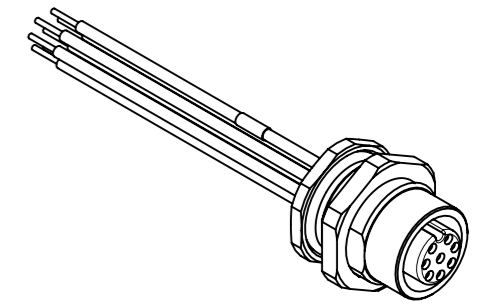
INSULATION RESISTANCE: 10⁸ Ω MIN.
MATING CYCLES: MIN. 100

ENVIRONMENTAL:
PROTECTION: IP67
OPERATING TEMPERATURE: -25°C TO +85°C

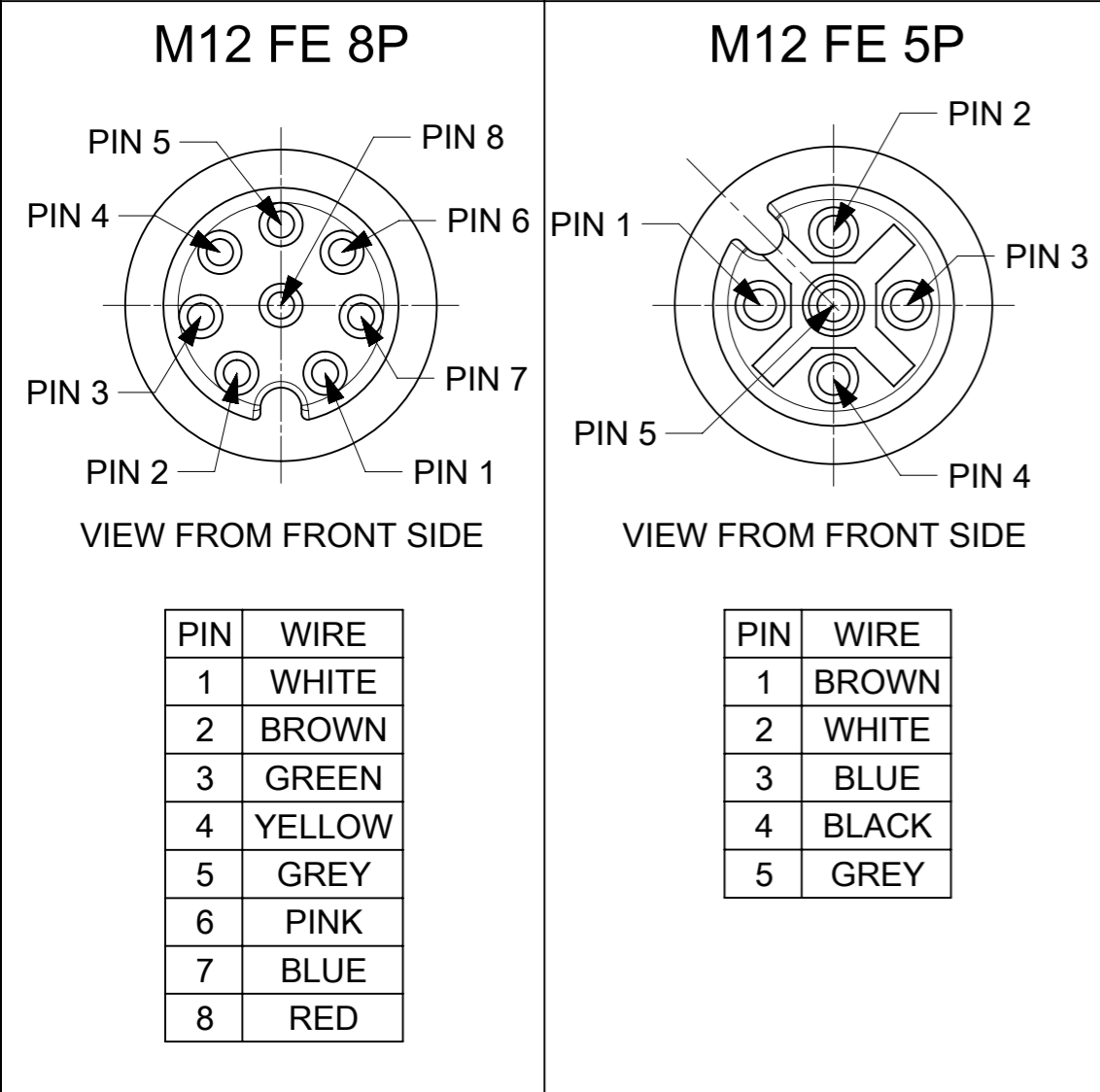
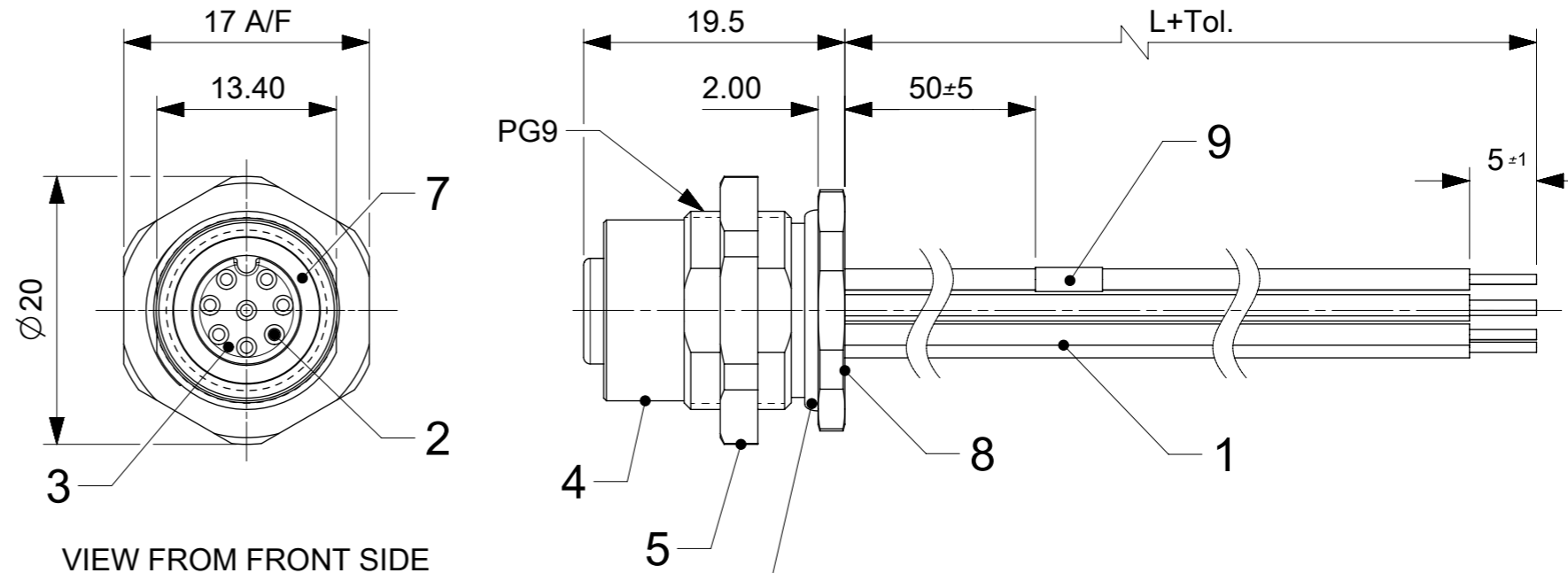
PART NO MATRIX

8 R X J 4 0 X X X C X X X X

8R = MICRO RECEPTACLE
POLES:
5 = 5 POLES
8 = 8 POLES
HEADER:
FEMALE CONTACT
FEMALE THREAD M12
PG9 MOUNTING THREAD
CABLE TYPE
E02=0.25mm PVC
E03=0.34mm PVC
UNIT:
C=CENTIMETER
LENGTH EXAMPLE:
300 = 30cm(300mm)
200 = 20cm(200mm)
800 = 80cm(800mm)
SHELL MATERIAL
3=BRASS
BRASS-BNP



SCALE 1:1



BOM

| ITEM | QTY. | DESCRIPTION | MATERIAL | FINISH/COLOR |
|------|------|--------------------|----------|---------------------|
| 1 | - | WIRES | PVC | SEE INSERT VIEW |
| 2 | 5/8 | CONTACT FE | BRASS | GOLD OVER Ni-PLATED |
| 3 | 1 | INSERT M12 FE | PUR | BLACK |
| 4 | 1 | M12 SHELL PANEL MT | BRASS | NICKEL PLATED |
| 5 | 1 | LOCKNUT | BRASS | NICKEL PLATED |
| 6 | 1 | O-Ring | NBR | BLACK |
| 7 | 1 | GASKET | FPM | RED |
| 8 | - | POTTING MATERIAL | EPOXY | TRANSPARENT |
| 9 | 1 | LABEL | VINYL | YELLOW |

PART LIST

| MOLEX P/N | ENG No. | L+Tol.(mm) |
|------------|----------------|------------|
| 1200110349 | 8R8J40E02C3003 | 300±10 |
| 1200700233 | 8R5J40E03C3003 | 300±10 |
| 1200705009 | 8R8J40E02C300 | 300±10 |
| 1200705179 | 8R8J40E02C200 | 200±10 |
| 1200708029 | 8R5J40E03C300 | 300±10 |
| 1200708065 | 8R5J40E03C1503 | 150±10 |
| 1200708154 | 8R8J40E02C5003 | 500±10 |
| 1200708186 | 8R8J40E02C800 | 800±10 |

THIS DRAWING CONTAINS INFORMATION THAT IS PROPRIETARY TO MOLEX ELECTRONIC TECHNOLOGIES, LLC AND SHOULD NOT BE USED WITHOUT WRITTEN PERMISSION

SYMBOLS: $\nabla = 0$, $\nabla = 0$, $\nabla = 0$, $\nabla = 0$, $\nabla = 0$, $\nabla = 0$, $\nabla = 0$, $\nabla = 0$, $\nabla = 0$, $\nabla = 0$

THIS DRAWING DIMENSION UNITS: mm
SCALE: 2:1

GENERAL TOLERANCES (UNLESS SPECIFIED):
ANGULAR TOL ± 1.0°
4 PLACES ±
3 PLACES ±
2 PLACES ± 0.05
1 PLACE ± 0.3
0 PLACES ± 0.5

DRAFT WHERE APPLICABLE MUST REMAIN WITHIN DIMENSIONS

THIRD ANGLE PROJECTION

DRAWING: A3-SIZE
SERIES: 120070
MATERIAL NUMBER: SEE PART LIST
CUSTOMER: GENERAL MARKET
SHEET NUMBER: 1 OF 1

CURRENT REV DESC:
EC NO: 638583
DRWN: SSM 2020/05/12
CHK'D: RSILLER 2020/05/29
APPR: RSILLER 2020/05/29

INITIAL REVISION:
DRWN: SSM 2020/05/12
APPR: RSILLER 2020/05/29

DOCUMENT NUMBER: 1200708154
DOC TYPE: PSD
DOC PART: 000
REVISION: A

molex
REC M12 XP AC FE STR PVC PG9 SE XM UNSH
PRODUCT CUSTOMER DRAWING