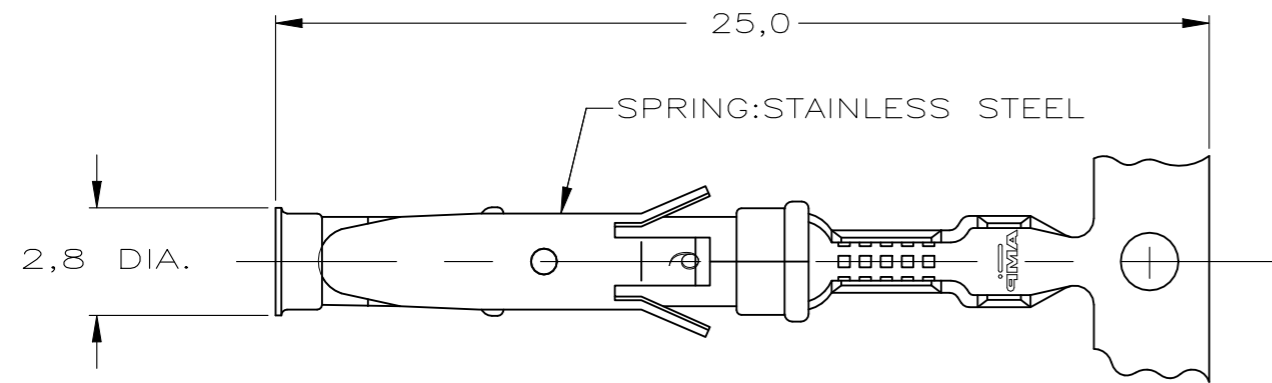
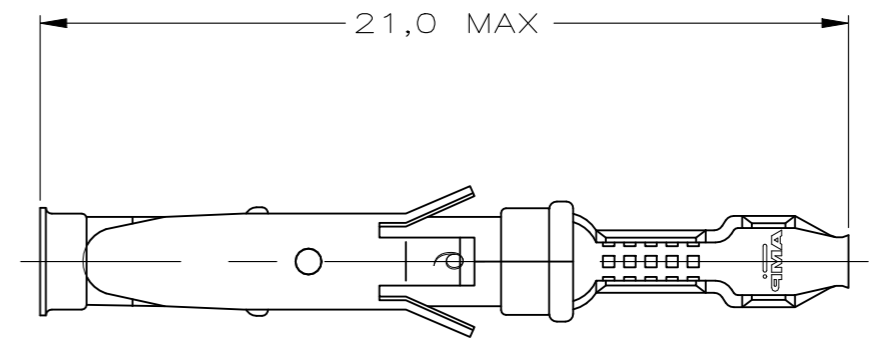


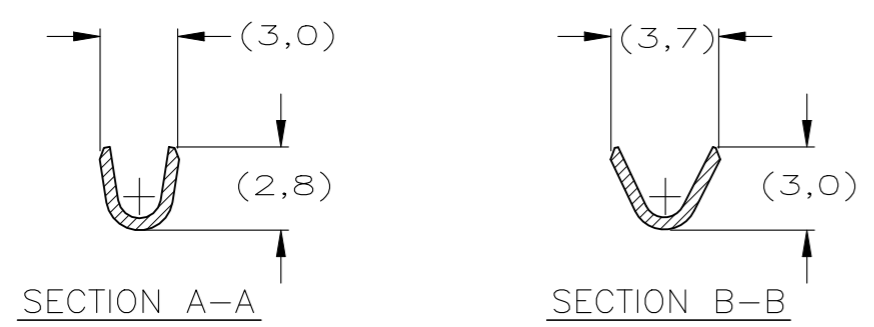
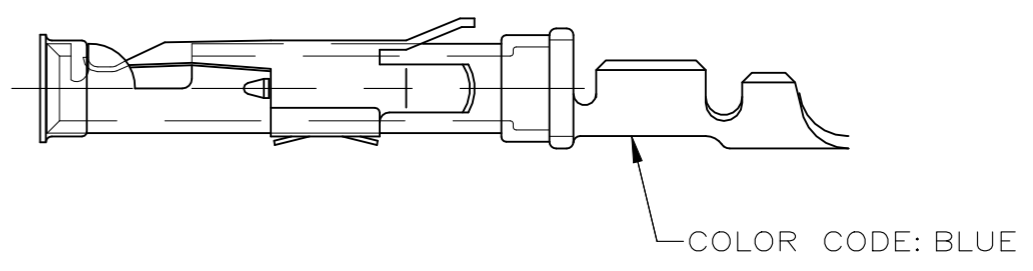
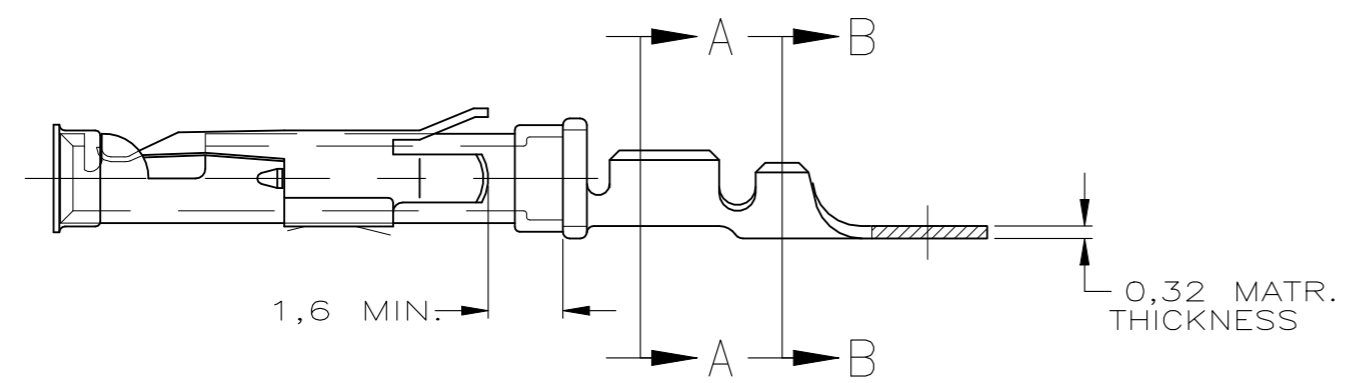
REVISIONS					
P	LTR	DESCRIPTION	DATE	DWN	APVD
	G	ECO-21-006957	25JUN2021	RK	MZ



STRIP



LOOSE-PIECE

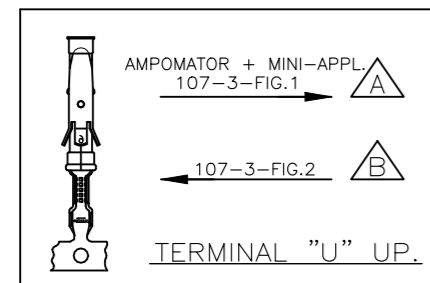


NOTES :

- 1 FOR CRIMP DETAILS SEE SPEC. 114-19000
- 2 MEETS PRODUCT SPECIFICATION 108-10042
- 3 OBSOLETE PARTS: OBSOLETE CIS STREAMLINING PER D.RENAUD/D.SINISI
- 4 OMISSION OF 6 CONTACTS MAX PER REEL OF 5000PCS

WIRE RANGE : 0,75-1,50 mm<sup>2</sup> (18-16 AWG)  
 INSUL. RANGE : 2,0 -2,5 mm (.080-.100)

OBsolete	Part Number	Direction of Reel	Material	Plating
3	163767-6	A	PH.BRONZE	SILVER
	163767-5	A	PH.BRONZE	SEL.GOLD
	163767-4	A	PH.BRONZE	EL.TIN
3	163767-3	B	PH.BRONZE	SILVER
	163767-2	B	PH.BRONZE	SEL.GOLD
	163767-1	B	PH.BRONZE	EL.TIN
	PART NUMBER	DIRECTION OF REEL	LOOSE-PIECE	MATERIAL
				PLATING



NOTES	MATERIAL	THICKNESS	AREA
20	TIN	2,0 μm	ALL OVER
21	NICKEL GOLD TIN	0,8 μm	ALL OVER CONTACT AREA BARREL
22	NICKEL GOLD TIN	1,27 μm .76 μm 1,01 μm	ALL OVER CONTACT AREA BARREL
23	NICKEL GOLD	1,2 μm	ALL OVER CONTACT AREA BARREL
27	NICKEL SILVER TIN	2,5 μm	ALL OVER CONTACT AREA BARREL
28	SILVER	0,5 μm	ALL OVER
29	SILVER	2,5 μm	ALL OVER

THIS DRAWING IS A CONTROLLED DOCUMENT.

DIMENSIONS:	TOLERANCES UNLESS OTHERWISE SPECIFIED:
mm	0 PLC ± -
	1 PLC ± -
	2 PLC ± -
	3 PLC ± -
	4 PLC ± -
	ANGLES ± -
MATERIAL	FINISH
REFER TABLE	REFER TABLE

DWN	L.V.D.HYDEN	19.08.1987
CHK	P.V.D.HAGEN	-
APVD	L.V.SOEST	-
PRODUCT SPEC	108-10042	
APPLICATION SPEC	114-19000	
WEIGHT	-	
CUSTOMER DRAWING		



TYPE III+, SIZE 16, SOCKET ASS'Y, 18-16 AWG, 2.0-2.5mm DIA INSULATION

SIZE	CAGE CODE	DRAWING NO	RESTRICTED TO
A3	00779	C-163767	-
SCALE	-	SHEET	1 OF 1
REV	G		