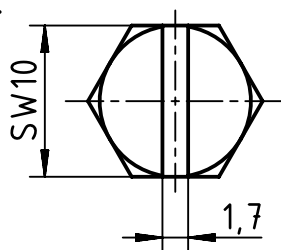
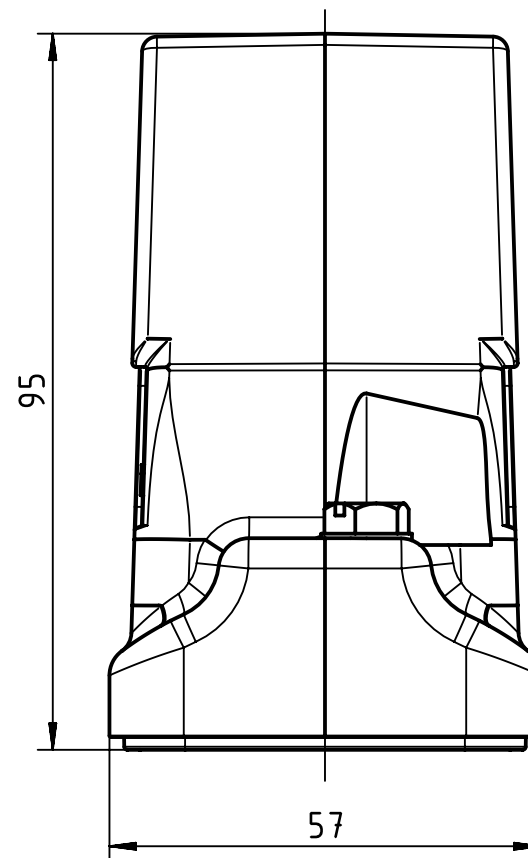
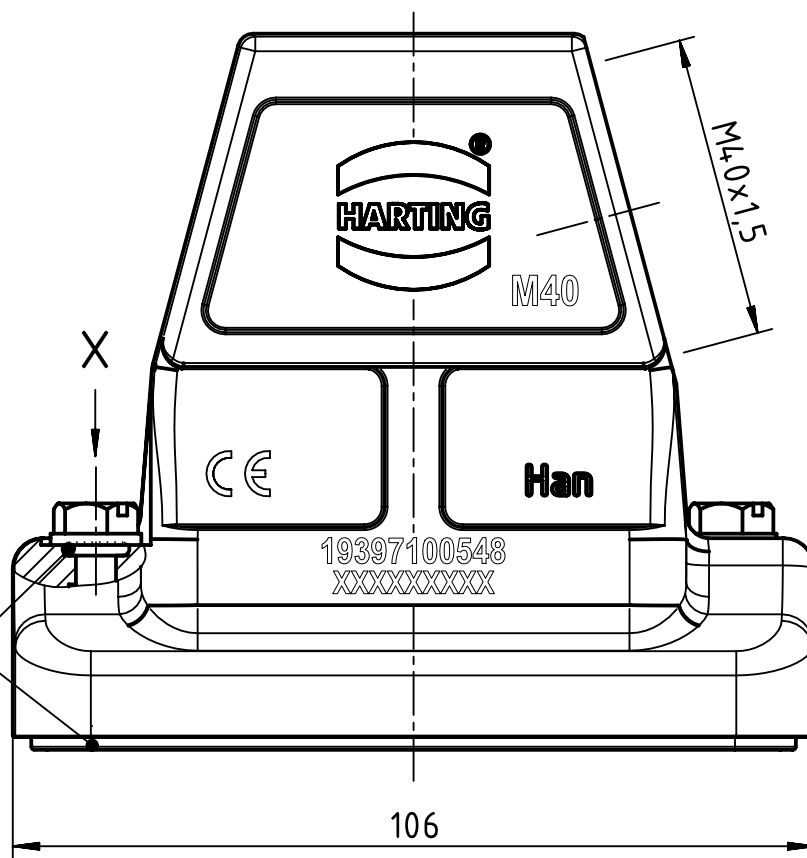
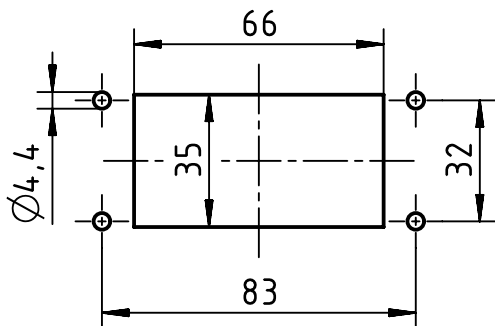



X (2:1)



Panel cut out (1:2)



	All rights reserved		Created by ZHUANGJ		Inspected by LUOK		Standardisation 302077		Date 2021-02-23		State Final Release	
	Department EL PD		Title Han 10HP Direct/M-HSE-M40		Number 19 39 710 0548		Doc-Key / ECM-Nr. 100664306/UGD/005/F 500000187461		Rev. F		Page 1/1	
HARTING (Zhuhai) Manufacturing Co., Ltd. 519085 Zhuhai, China			All Dimensions in mm Original Size DIN A4			Scale 1:1 Free size tol.			Ref. Sub.			