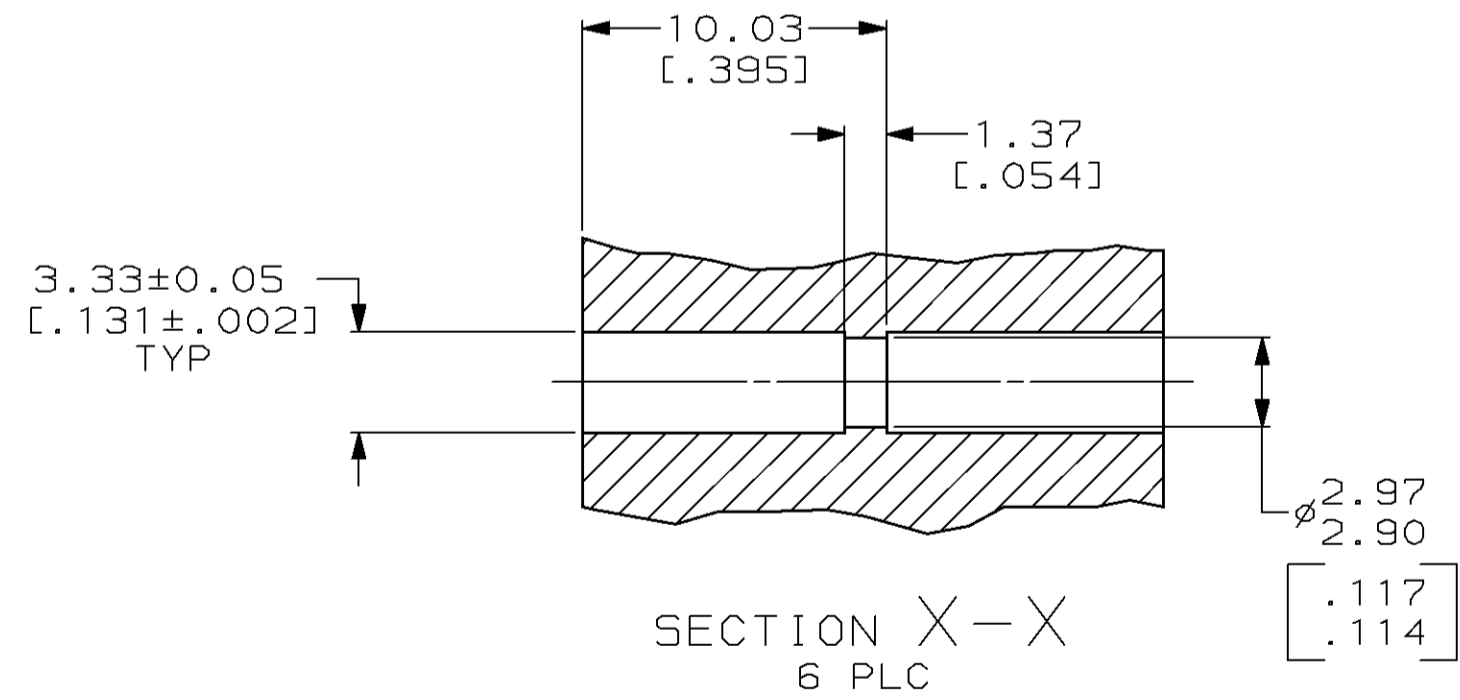
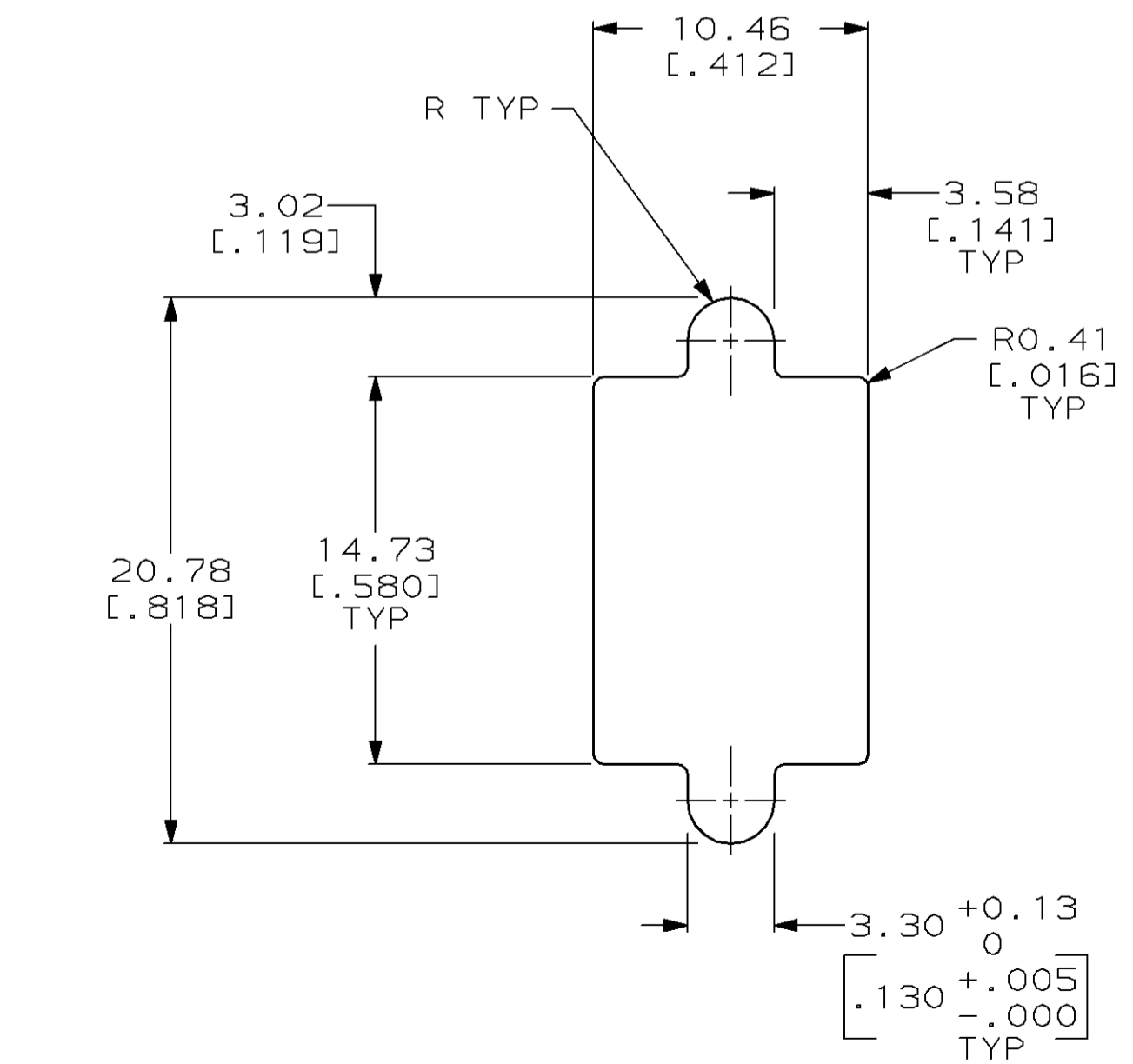
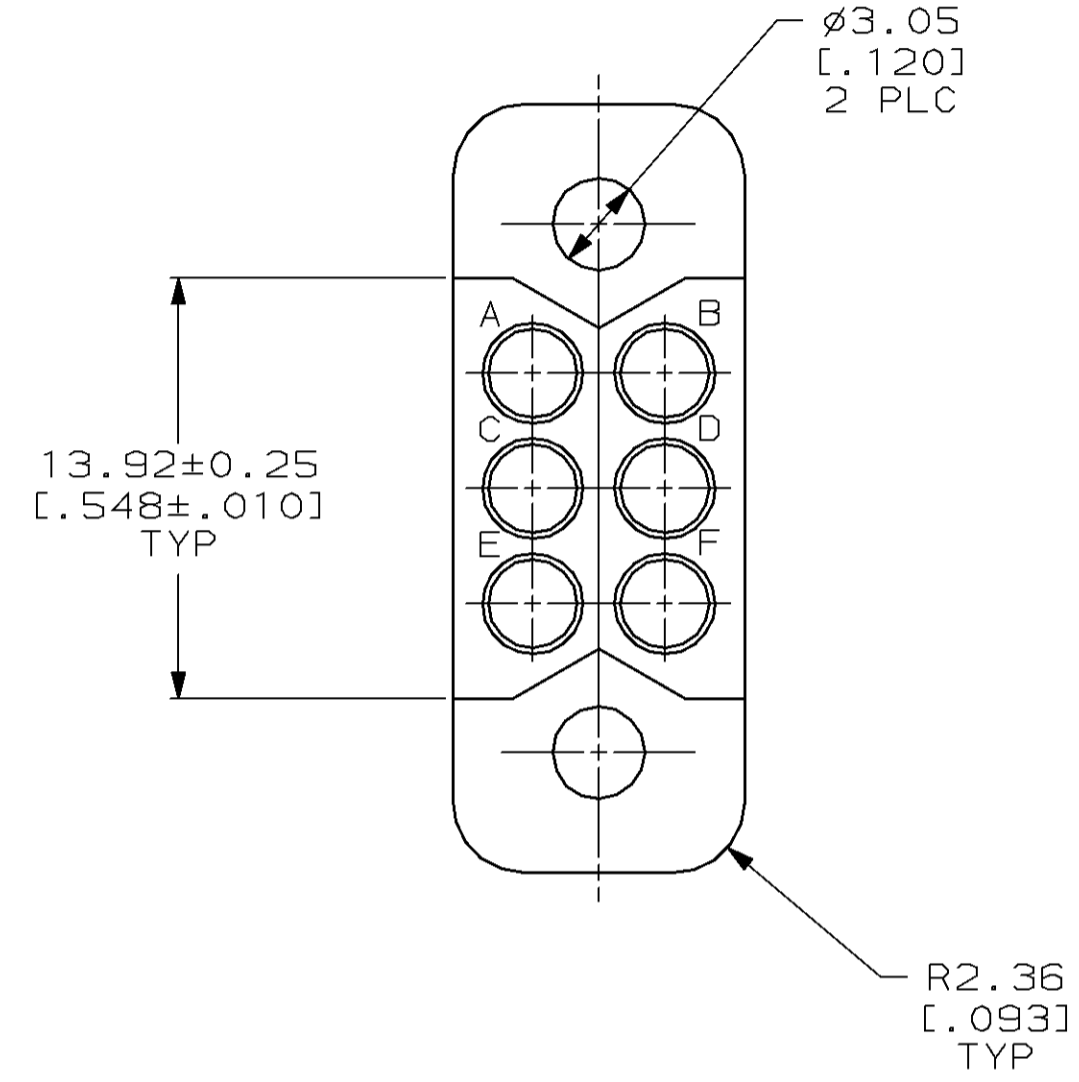
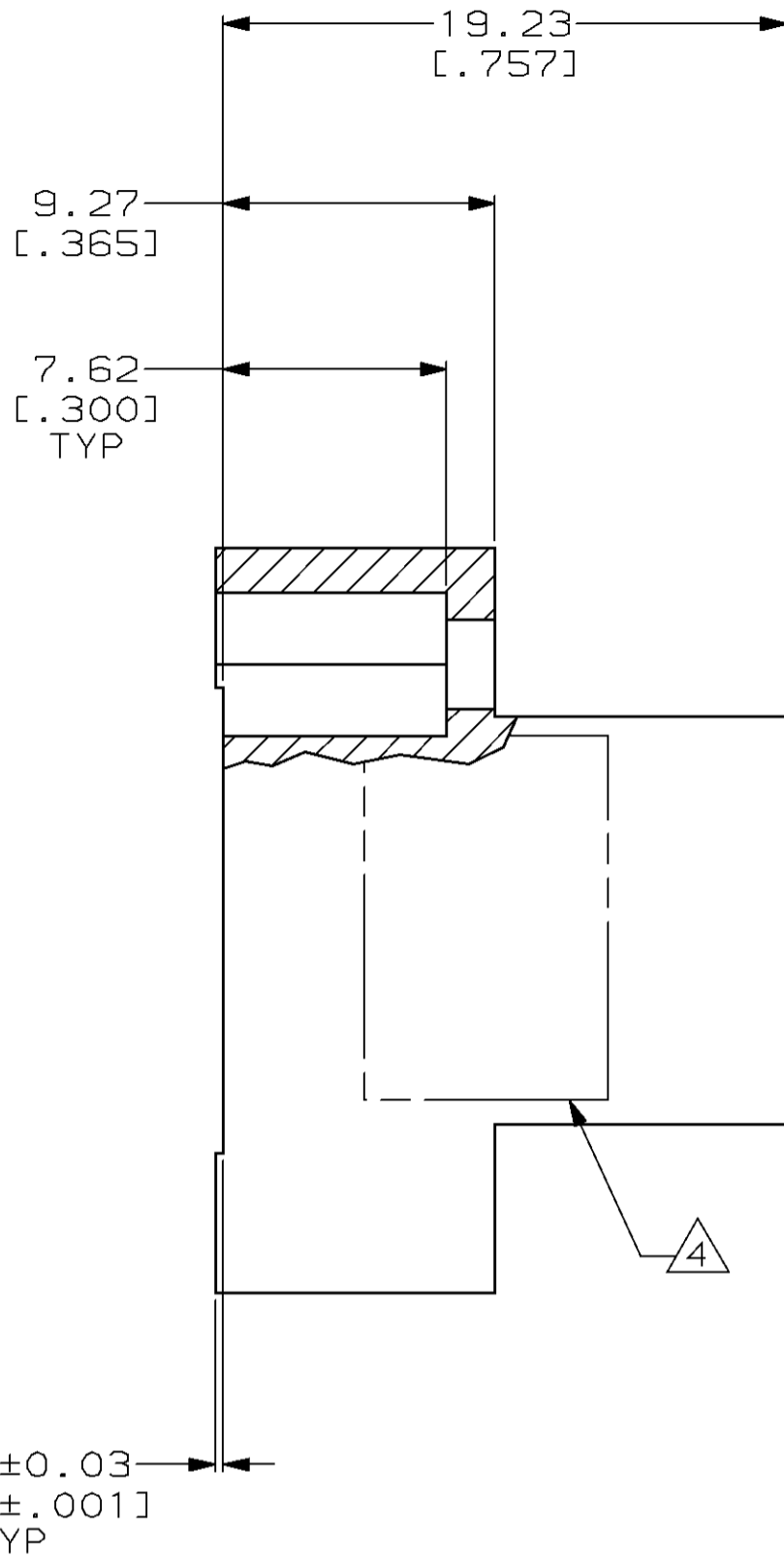
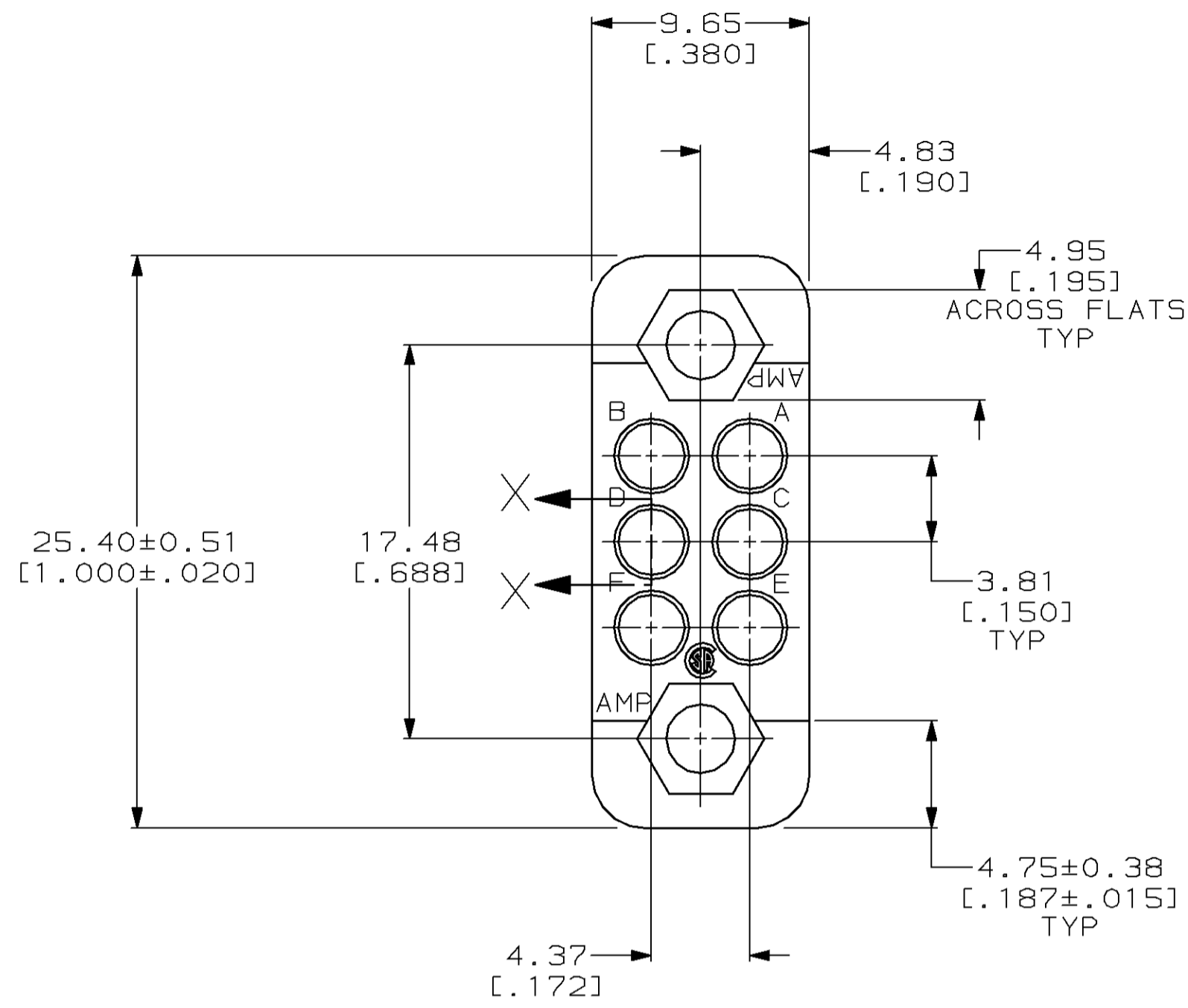


THIS DRAWING IS UNPUBLISHED. RELEASED FOR PUBLICATION
 © COPYRIGHT 19 BY AMP INCORPORATED. ALL RIGHTS RESERVED.

LOC		DIST		REVISIONS			
P	LTR	DESCRIPTION	DATE	DWN	APVD		
B		REDRAWN W/O CHANGE PER EC 0020-1299-95	28 FEB 96	-	-		



- ① PHENOLIC PER MIL-M-14, TYPE CFG, BLACK.
- ② DIALLYL PHTHALATE PER MIL-M-14, TYPE SDG-F, BLUE.
- 3. MATES WITH 202757 & ACCOMODATES TYPE II #20 PIN CONTACTS.
- ④ PART NO, DATE CODE & THE LETTER P INK STAMPED IN THIS AREA.

②	202756-3
①	202756-1
MATERIAL	PART NUMBER

THIS DRAWING IS A CONTROLLED DOCUMENT FOR AMP INCORPORATED. IT IS SUBJECT TO CHANGE AND THE CONTROLLING ENGINEERING ORGANIZATION SHOULD BE CONTACTED FOR THE LATEST REVISION.		DWN C. REIFSNYDER 28 FEB 96	AMP Incorporated Harrisburg, PA 17105-3608
DIMENSIONS: mm [INCHES]		CHK R. STONE 14 MAR 96	
TOLERANCES UNLESS OTHERWISE SPECIFIED:		APVD G.A. STEINHAUER 25 JUN 96	NAME BLOCK, MALE, 6 PLACE MINIATURE RECTANGULAR, M SERIES
0 PLC ± 1 PLC ± 2 PLC ±0.13 [.005] 3 PLC ± 4 PLC ±		PRODUCT SPEC -	
MATERIAL SEE TABLE		FINISH -	SIZE A2
		APPLIC. SPEC -	CAGE CODE 00779
		WEIGHT -	DRAWING NO C-202756
		CUSTOMER DRAWING	SCALE 4:1
			SHEET 1 OF 1
			REV B

RECOMMENDED PANEL CUTOUT

202756

B

A