

Fiber optic - HS LC-H-5X2/ R1XC1 - 2202314

Please be informed that the data shown in this PDF Document is generated from our Online Catalog. Please find the complete data in the user's documentation. Our General Terms of Use for Downloads are valid (<http://phoenixcontact.com/download>)

Light guides, passive, rigid, can be used for the ME, ME-MAX, ME-IO, ME PLC, and EH housing ranges (housing must be processed)



Your advantages

- Light guides are perfectly matched to electronics housings
- Easy mounting on the PCB using press pins
- Resistance to ESD
- Housing processing available on request

Key Commercial Data

Packing unit	100 pc
Minimum order quantity	100 pc
GTIN	
GTIN	4055626049953

Technical data

Product properties

Brief article description	Fiber optic
Type	HS LC-H-5X2/ R1XC1
Order No.	2202314
Type	passive, rigid
Alignment	Horizontal
Head form	Rectangular, straight

Dimensions

Caption	Details on positioning inside the electronics housing can be found in the download area under "Design-In"
Hole diameter	2.4 mm

Material specifications

Fiber optic - HS LC-H-5X2/ R1XC1 - 2202314

Technical data

Material specifications

Material	PMMA
Color (RAL)	transparent

Ambient conditions

Ambient temperature (operation)	-40 °C ... 85 °C
---------------------------------	------------------

General information

Type of note	Assembly instruction:
Note	Refer to the data sheet for the range in the download area.

Packaging details

Pieces per package	100
Denomination packing units	Pcs.

Standards and Regulations

Flammability rating according to UL 94	HB
--	----

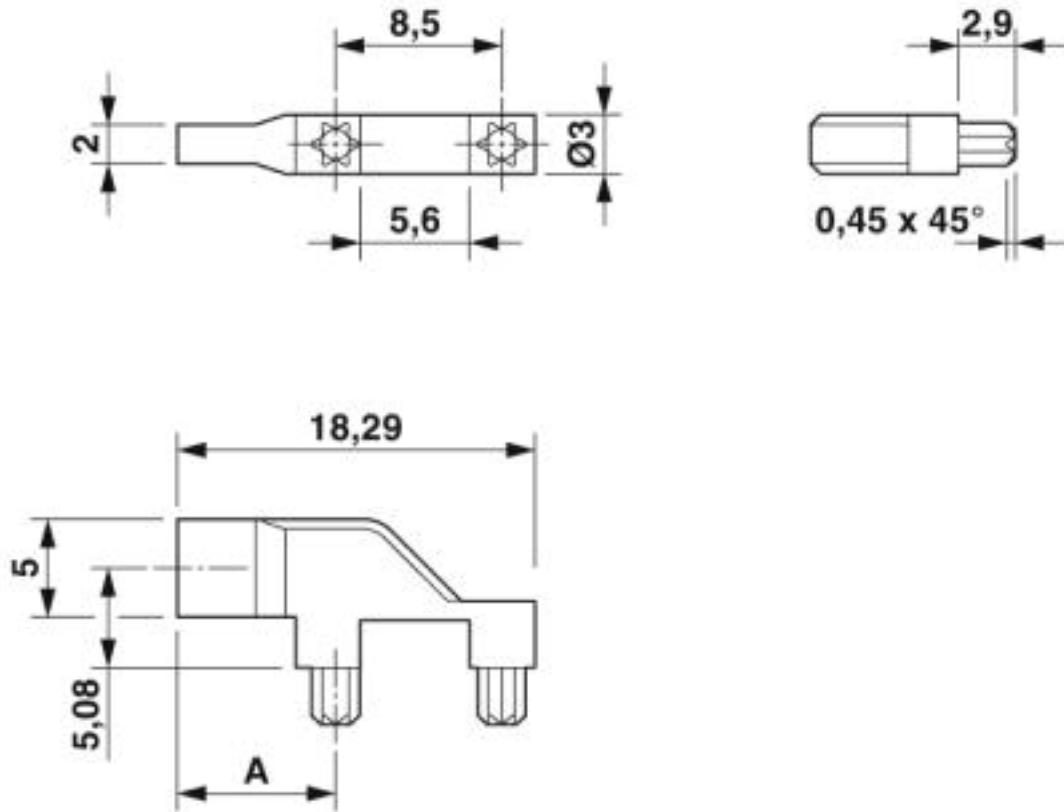
Environmental Product Compliance

China RoHS	Environmentally friendly use period: unlimited = EFUP-e
	No hazardous substances above threshold values

Drawings

Fiber optic - HS LC-H-5X2/ R1XC1 - 2202314

Dimensional drawing



Details on positioning inside the electronics housing can be found in the download area under "Design-In"

Phoenix Contact 2019 © - all rights reserved
<http://www.phoenixcontact.com>

PHOENIX CONTACT GmbH & Co. KG
Flachsmarktstr. 8
32825 Blomberg
Germany
Tel. +49 5235 300
Fax +49 5235 3 41200
<http://www.phoenixcontact.com>