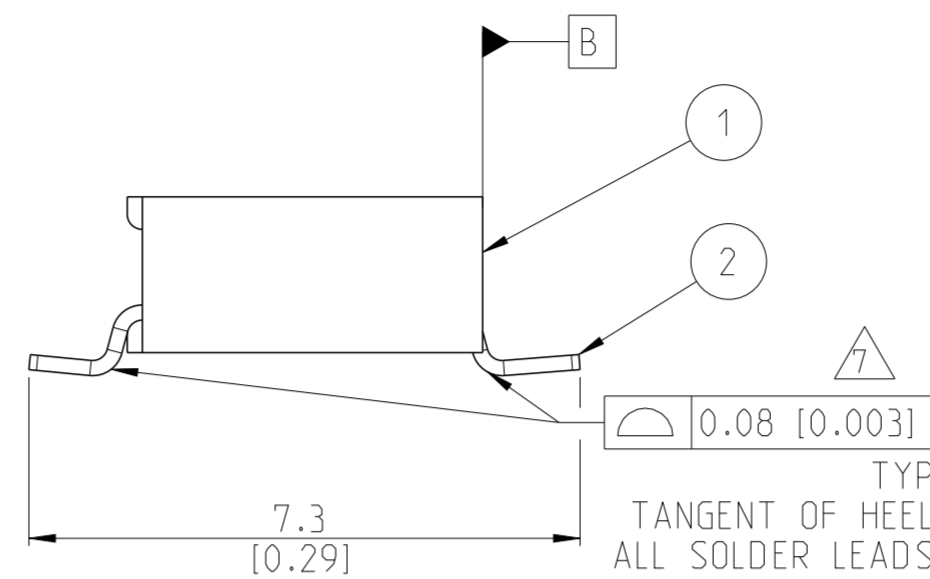
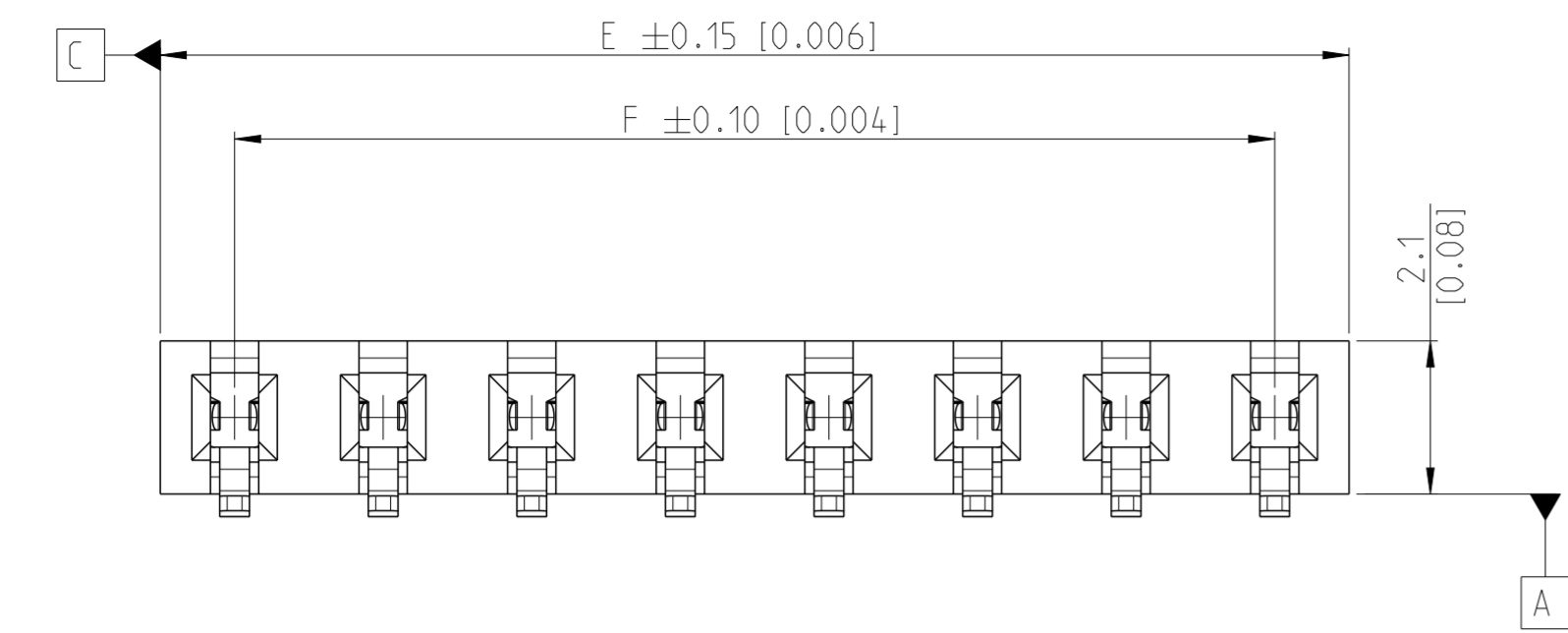


REVISIONS				
P	LTR	DESCRIPTION	DATE	APVD
A		RELEASE GOLD PLATED VERSIONS TO PRODUCTION	03SEP2019	AY PS
A1		RELEASE TIN PLATED VERSIONS TO PRODUCTION	14APR2020	AY PS
A2		SMART PN DETAILS ADDED	19APR2022	SCB PS

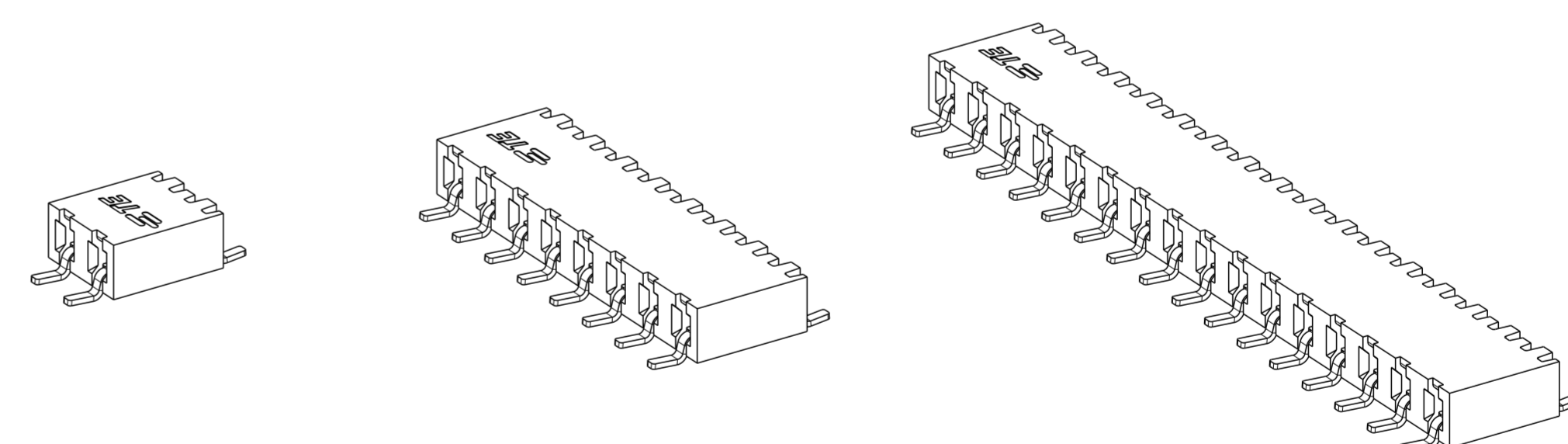
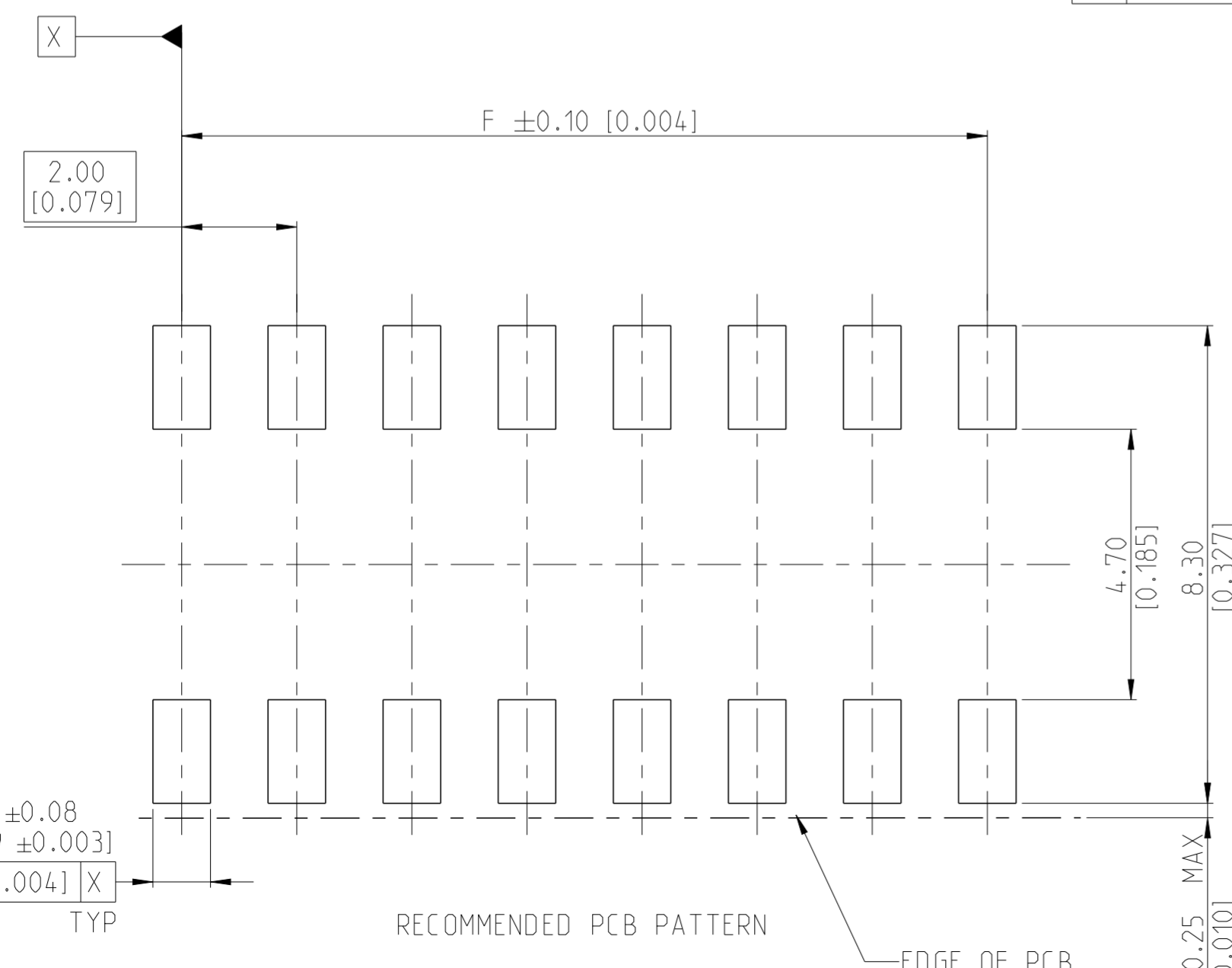
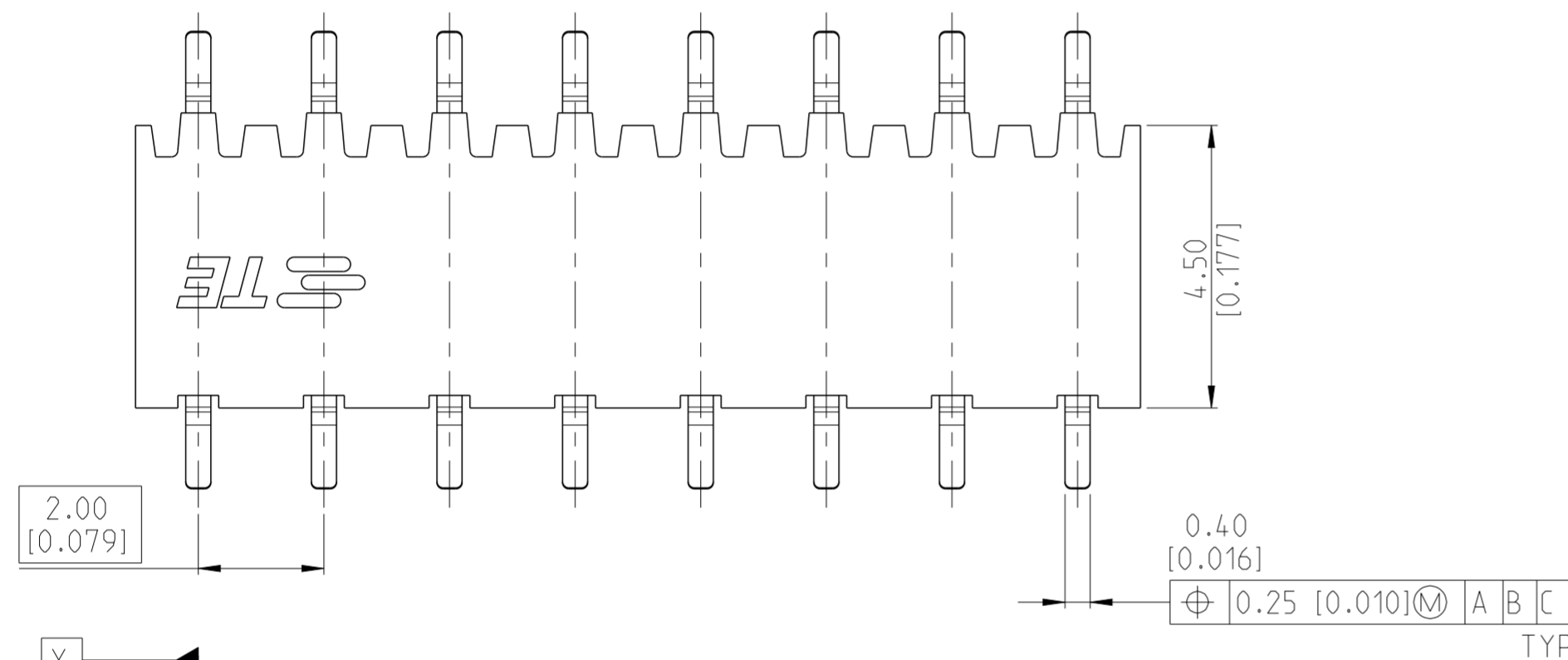
NOTES:

- 1 MATERIAL:  
HOUSING: LCP, UL94 V0, BLACK  
CONTACT: PHOSPHOR BRONZE, 0.20mm THICK,
- 2 ALL OVER 3-5µm TIN OVER MIN 1.27µm NICKEL UNDERPLATE
- 3 CONTACT AREA: MIN 0.1µm GOLD  
SOLDER TAIL: 3-5µm TIN  
UNDERPLATING: MIN 1.27µm NICKEL ALL OVER
- 4 CONTACT AREA: MIN 0.38µm GOLD  
SOLDER TAIL: 3-5µm TIN  
UNDERPLATING: MIN 1.27µm NICKEL ALL OVER
- 5 CONTACT AREA: MIN 0.76µm GOLD  
SOLDER TAIL: 3-5µm TIN  
UNDERPLATING: MIN 1.27µm NICKEL ALL OVER
- 6 N = NO. OF POSITIONS PER CONNECTOR.

"N"	FG P/N	CO-PLANARITY
2 TO 10	S2 TO S10	0.08 [0.003]
11 TO 20	S11 TO S20	0.10 [0.004]
21 TO 25	S21 TO S25	0.15 [0.006]



CONTACT	2
HOUSING	1
DESCRIPTION	ITEM



2MM-R-S02-HS-00-T-TR

2MM-R-S08-HS-00-T-TR

2MM-R-S16-HS-00-T-TR

THIS DRAWING IS A CONTROLLED DOCUMENT.		DWN 27NOV2017 SOURAV DAS	TE Connectivity	
DIMENSIONS: mm [inch]		CHK 26NOV2018 SHARATH S		
TOLERANCES UNLESS OTHERWISE SPECIFIED:		APVD 26NOV2018 PRASHANTH S	NAME AMPMODU 2mm BtB RECEPTACLE SINGLE ROW, HORIZONTAL SMD	
0 PLC ± 1 PLC ±0.2 2 PLC ±0.1 [0.008] 3 PLC ± [0.004] 4 PLC ±		PRODUCT SPEC 108-64040	SIZE A2	
MATERIAL SEE NOTES		APPLICATION SPEC 114-32186	CAGE CODE 00779	DRAWING NO C-2307724
FINISH SEE NOTES		WEIGHT -	RESTRICTED TO -	SCALE 10:1
		CUSTOMER DRAWING	SHEET 1 OF 2	REV A2

REVISIONS				
P	LTR	DESCRIPTION	DATE	APVD
-		SEE SHEET 1	-	-

MATING SIDE PLATING (FINISH)	BTB RECEPTACLE BASE NUMBERS	
	TAPE & REEL PKG W/O CAP	TUBE PKG W/O CAP
TIN △ <sub>2</sub>	2MM-R-S__-HS-00-T-TR	2MM-R-S__-HS-00-T-TB
GOLD FLASH 0.1µm △ <sub>3</sub>	2MM-R-S__-HS-00-F-TR	2MM-R-S__-HS-00-F-TB
GOLD 0.38µm △ <sub>4</sub>	2MM-R-S__-HS-00-M-TR	2MM-R-S__-HS-00-M-TB
GOLD 0.76µm △ <sub>5</sub>	2MM-R-S__-HS-00-H-TR	2MM-R-S__-HS-00-H-TB

SMART PART NUMBER  
2MM - R - S\_\_ - HS - 00 - \_ - \_

PRODUCT SERIES

2MM AMPMODU 2mm SERIES

PACKAGING

TR	TAPE AND REELING WITHOUT CAP
TB	TUBE WITHOUT CAP

GENDER / TYPE

R RECEPTACLE

PLATING

T	TIN
F	GOLD FLASH
M	15µm GOLD
H	30µm GOLD

NUMBER OF ROWS

S SINGLE ROW

TAIL LENGTH

00 SURFACE MOUNT TECHNOLOGY

NUMBER OF PINS PER ROW

XX 02 THROUGH 25 (ENTER TWO DIGITS)

ORIENTATION & TERMINATION


HS HORIZONTAL (RIGHT ANGLE) SURFACE MOUNT TECHNOLOGY

48	50	25	2MM-R-S25-HS-00-T-TR
46	48	24	2MM-R-S24-HS-00-T-TR
44	46	23	2MM-R-S23-HS-00-T-TR
42	44	22	2MM-R-S22-HS-00-T-TR
40	42	21	2MM-R-S21-HS-00-T-TR
38	40	20	2MM-R-S20-HS-00-T-TR
36	38	19	2MM-R-S19-HS-00-T-TR
34	36	18	2MM-R-S18-HS-00-T-TR
32	34	17	2MM-R-S17-HS-00-T-TR
30	32	16	2MM-R-S16-HS-00-T-TR
28	30	15	2MM-R-S15-HS-00-T-TR
26	28	14	2MM-R-S14-HS-00-T-TR
24	26	13	2MM-R-S13-HS-00-T-TR
22	24	12	2MM-R-S12-HS-00-T-TR
20	22	11	2MM-R-S11-HS-00-T-TR
18	20	10	2MM-R-S10-HS-00-T-TR
16	18	9	2MM-R-S09-HS-00-T-TR
14	16	8	2MM-R-S08-HS-00-T-TR
12	14	7	2MM-R-S07-HS-00-T-TR
10	12	6	2MM-R-S06-HS-00-T-TR
8	10	5	2MM-R-S05-HS-00-T-TR
6	8	4	2MM-R-S04-HS-00-T-TR
4	6	3	2MM-R-S03-HS-00-T-TR
2	4	2	2MM-R-S02-HS-00-T-TR
DIM "F"	DIM "E"	N	SMART PN

SMART PN EXAMPLES:

- 2MM-R-S02-HS-00-T-TR : AMPMODU 2mm, RECEPTACLE, SINGLE ROW, 02 POSITION PER ROW, HORIZONTAL (RIGHT ANGLE) SURFACE MOUNT TECHNOLOGY, TIN PLATED, TAPE AND REEL PACKAGING WITHOUT CAP
- 2MM-R-S25-HS-00-H-TB : AMPMODU 2mm, RECEPTACLE, SINGLE ROW, 25 POSITION PER ROW, HORIZONTAL (RIGHT ANGLE) SURFACE MOUNT TECHNOLOGY, 30µm GOLD PLATED, TUBE PACKAGING WITHOUT CAP

THIS DRAWING IS A CONTROLLED DOCUMENT.

DIMENSIONS: mm [inch]	TOLERANCES UNLESS OTHERWISE SPECIFIED: 0 PLC ± 1 PLC ±0.2 2 PLC ±0.1 [0.008] 3 PLC ± [0.004] 4 PLC ± ANGLES ±2°	DWN SOURAV DAS 27NOV2017 CHK SHARATH S 26NOV2018 APVD PRASHANTH S 26NOV2018	 <b>TE Connectivity</b>	
MATERIAL SEE NOTES	FINISH SEE NOTES	PRODUCT SPEC 108-64040	NAME AMPMODU 2mm BTB RECEPTACLE SINGLE ROW, HORIZONTAL SMD	
		APPLICATION SPEC 114-32186	SIZE A2	CAGE CODE 00779
		WEIGHT -	DRAWING NO C-2307724	RESTRICTED TO -
		CUSTOMER DRAWING	SCALE 10:1	SHEET 2 OF 2