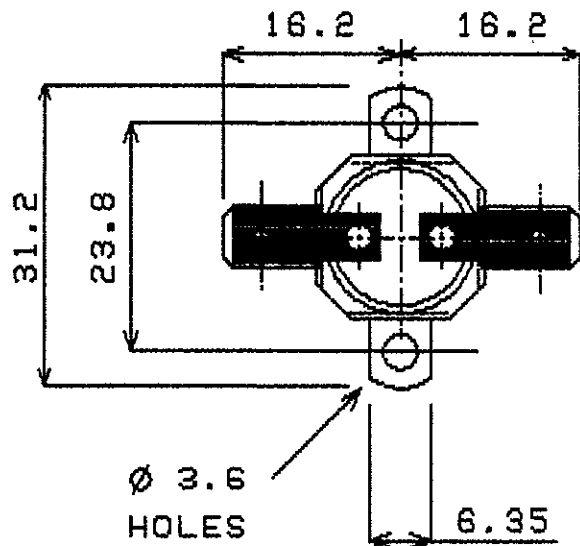


DO NOT SCALE ALL DIMENSIONS ARE FOR REFERENCE ONLY

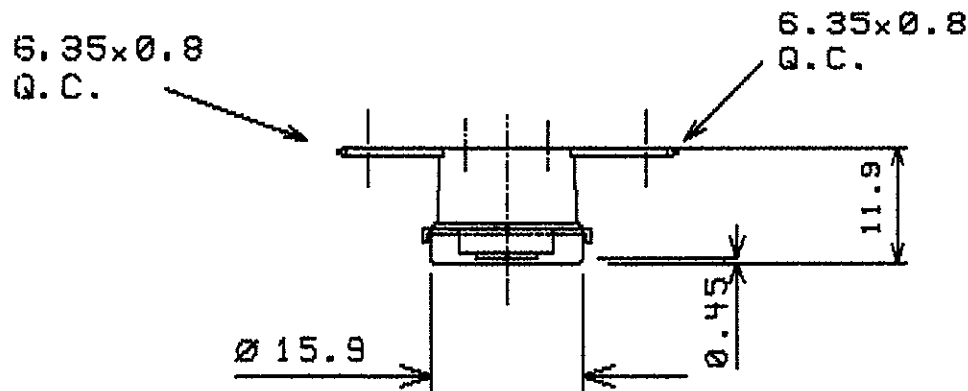
OPERATING CRITERIA



VOLTS: 240 AMPS: 10 HZ:

OPERATING TEMPS. DEG. C

OPEN: 85 \pm 4
CLOSE: 100 \pm 5



NOTE: ORIENTATION OF BRACKET IS NOT FIXED

| | | | | | | | | | |
|--------|------|------|--|--|--|--|--|--|--|
| ISSUE | A | B | | | | | | | |
| MOD No | 2052 | 2259 | | | | | | | |
| MTH/YR | 3/97 | 7/98 | | | | | | | |

CODING REQUIREMENTS

COLOUR: LASER CODE
F100C RP 9100 446 XXX

<XXX = DATE CODING>

CAP: 8200 MAT'L: ALUMINIUM
BRK'T: 82036 MAT'L: STEEL
..... PLATING: NICKEL
TERMINAL: T146 : T146
MATERIAL: BRASS : BRASS
PLATING:

ELMWOOD DEVICE & UNIQUE PART No.
2455RP-9100-446

ELMWOOD DRG No.
965214

ISSUE
B



ELMWOOD
SENSORS LTD

DATE OF ISSUE STAMP
7 JUN 1997