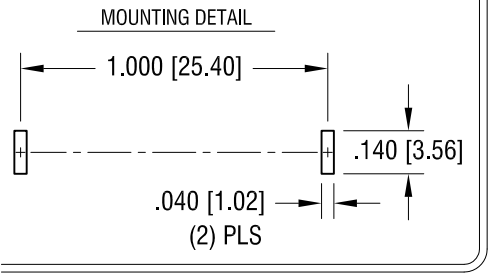
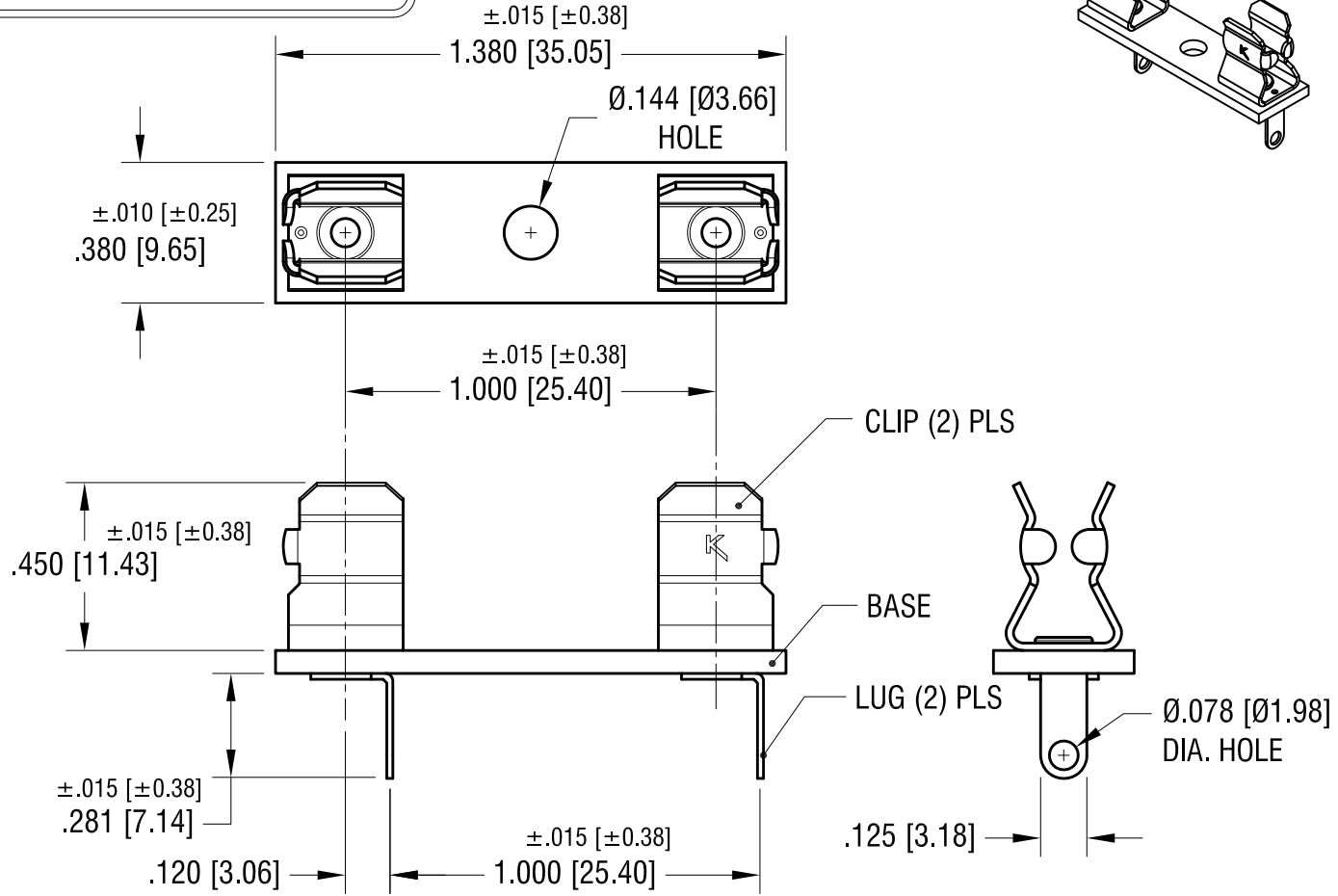
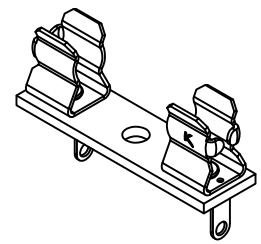


THIS DOCUMENT IS THE PROPERTY OF KEYSTONE ELECTRONICS CORP. AND SHALL NOT BE REPRODUCED, DISTRIBUTED OR USED AS A BASIS FOR MANUFACTURE WITHOUT PRIOR WRITTEN PERMISSION FROM KEYSTONE ELECTRONICS CORP.



ACTUAL SIZE



NOTES:

- 1. BASE: MAT'L: .062 [1.57] TH'K G10 UL 94V-0.
- 2. CLIP: MAT'L: BRASS
FINISH: TIN PLATE

- 3. LUG: MAT'L: BRASS
FINISH: TIN PLATE
- 4. FILE NUMBER: E354010

4.18.23 BASE MAT'L WAS GPO-3UL 94V-0
CHANGE AS PER ECN 23-057

A
REV.

KEYSTONE ELECTRONICS CORP.			
www.keyelco.com • NEW HYDE PARK NY 11040 • Tel (516)328-7500			
PART NAME		3AG PC FUSE HOLDER	
MATERIAL		AS NOTED	
FINISH		DRN BY	DATE
AS NOTED		BOONE	3.19.96
		APP'D	SCALE
		MR	2X
TOLERANCES	INCH [MM]	CODE	DWG NO.
DECIMAL	± .005 [± 0.13]	C	3526
ANGULAR	± 1°		
UNLESS OTHERWISE SPECIFIED			

DATE	DESCRIPTION	REV.
------	-------------	------