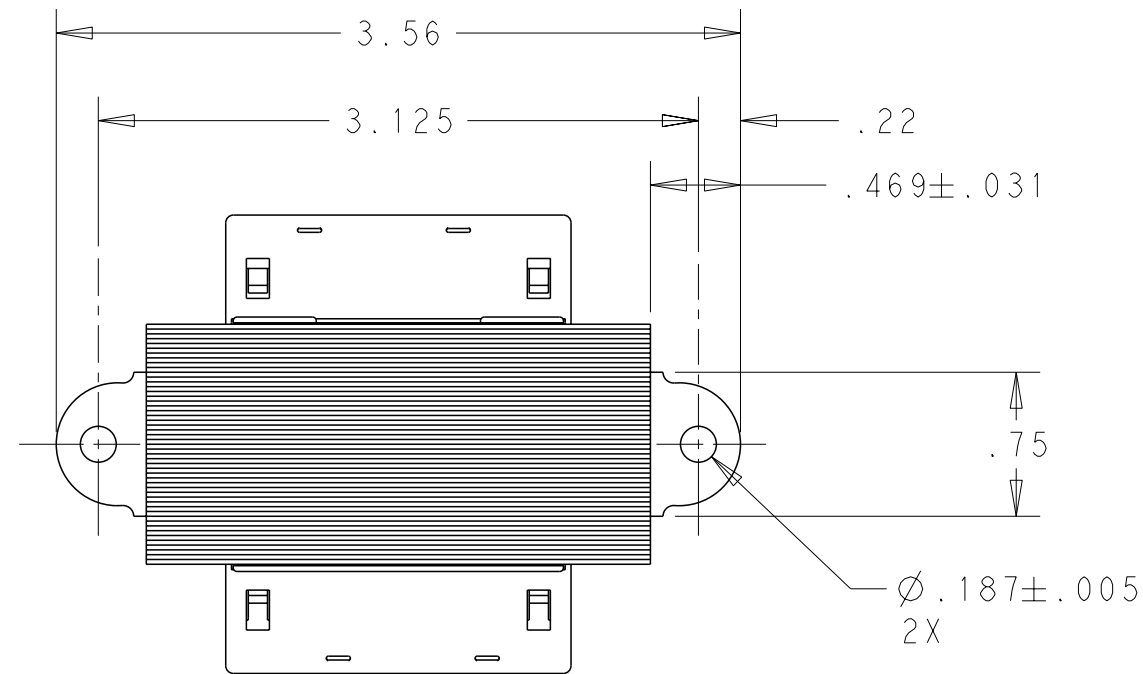


THIS DRAWING IS UNPUBLISHED. RELEASED FOR PUBLICATION 20  
 © COPYRIGHT 20 BY - ALL RIGHTS RESERVED.

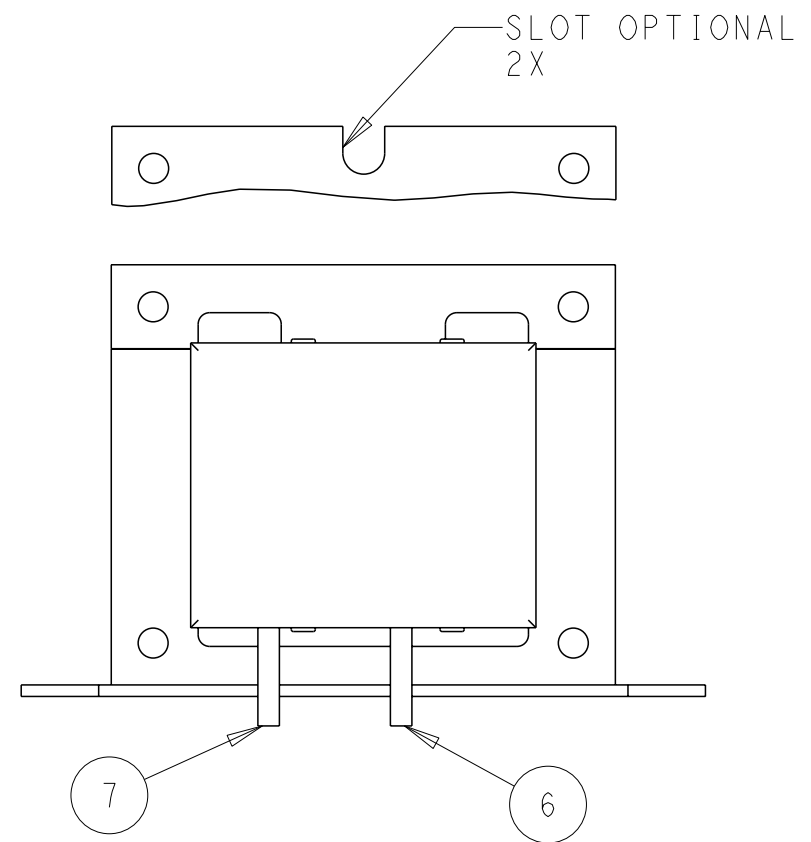
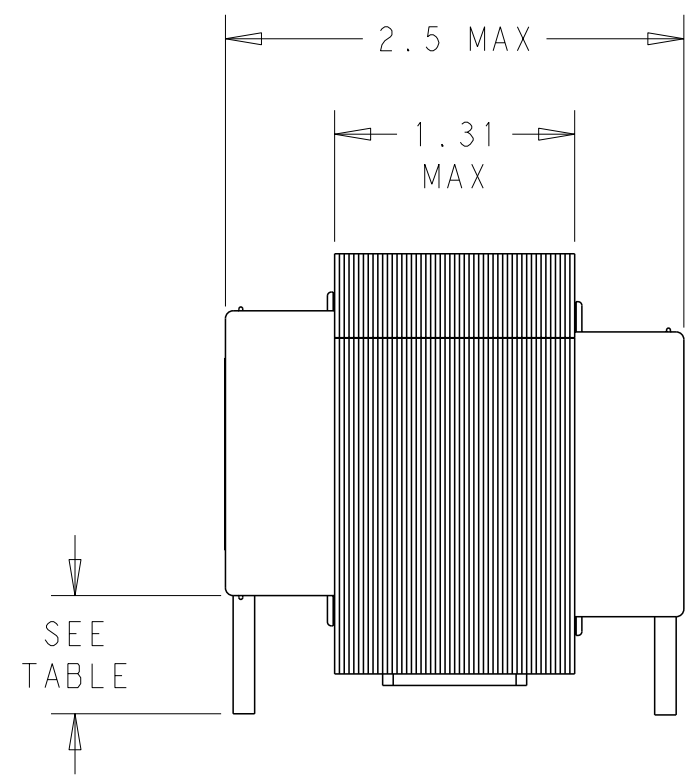
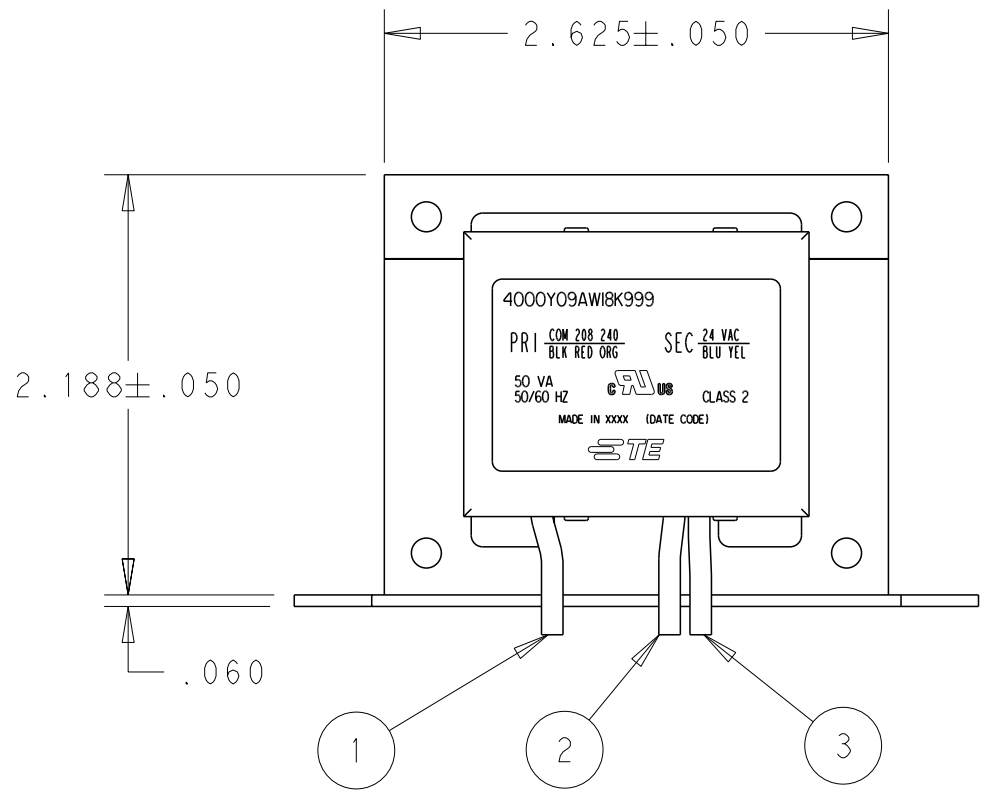
REVISIONS				
P	LTR	DESCRIPTION	DATE	APVD
	B	ECR-15-002785	28JAN2016	VS DB



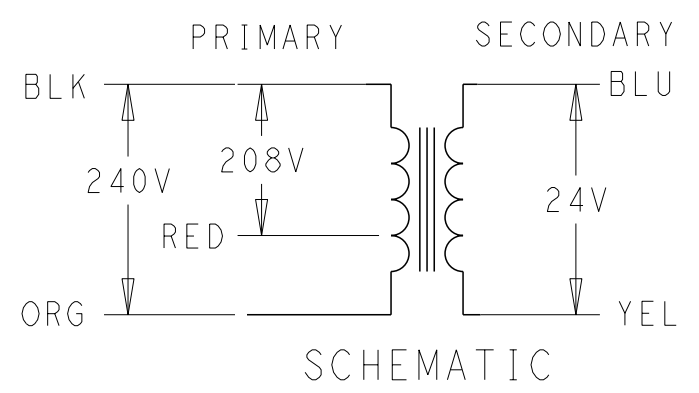
CERTIFICATION: UL & CUL FILE NO. E87824

PRIMARY			SECONDARY			
LEAD NO.	1	2	3	LEAD NO.	6	7
VOLTAGE	COM	208	240	VOLTAGE	24	VAC
COLOR	BLK	RED	ORG	COLOR	BLU	YEL
LENGTH	12.0	12.0	12.0	LENGTH	12.0	12.0
STRIP LENGTH	.50	.50	.50	STRIP LENGTH	.50	.50

1. ALL LEADS ARE 18AWG UNLESS OTHERWISE SPECIFIED AND HAVE A TOLERANCE OF +1.0/-0
2. STRIP TOLERANCE IS ±1/32.
3. WINDING PROTECTION: INHERENTLY LIMITING.



3-1611462-5  
TE PART NO.



THIS DRAWING IS A CONTROLLED DOCUMENT.

DIMENSIONS: INCHES	TOLERANCES UNLESS OTHERWISE SPECIFIED:
	0 PLC ±-
	1 PLC ±.1
	2 PLC ±.03
	3 PLC ±.015
	4 PLC ±-
	ANGLES ±-
MATERIAL	FINISH
-	-
-	-

DWN	VIC SLACK	26FEB2015	TE Connectivity <b>TRANSFORMER OUTLINE</b>				
CHK	D. BLOESCH	26FEB2015					
APVD	D. BLOESCH	26FEB2015					
PRODUCT SPEC	-	-					
APPLICATION SPEC	-	-	RESTRICTED TO				
WEIGHT	-	-	SIZE	CAGE CODE	DRAWING NO	-	
Customer Drawing	-	-	A3	-	C-4000Y09AW18K999	-	
SCALE	1:1	SHEET	1	OF	1	REV	B