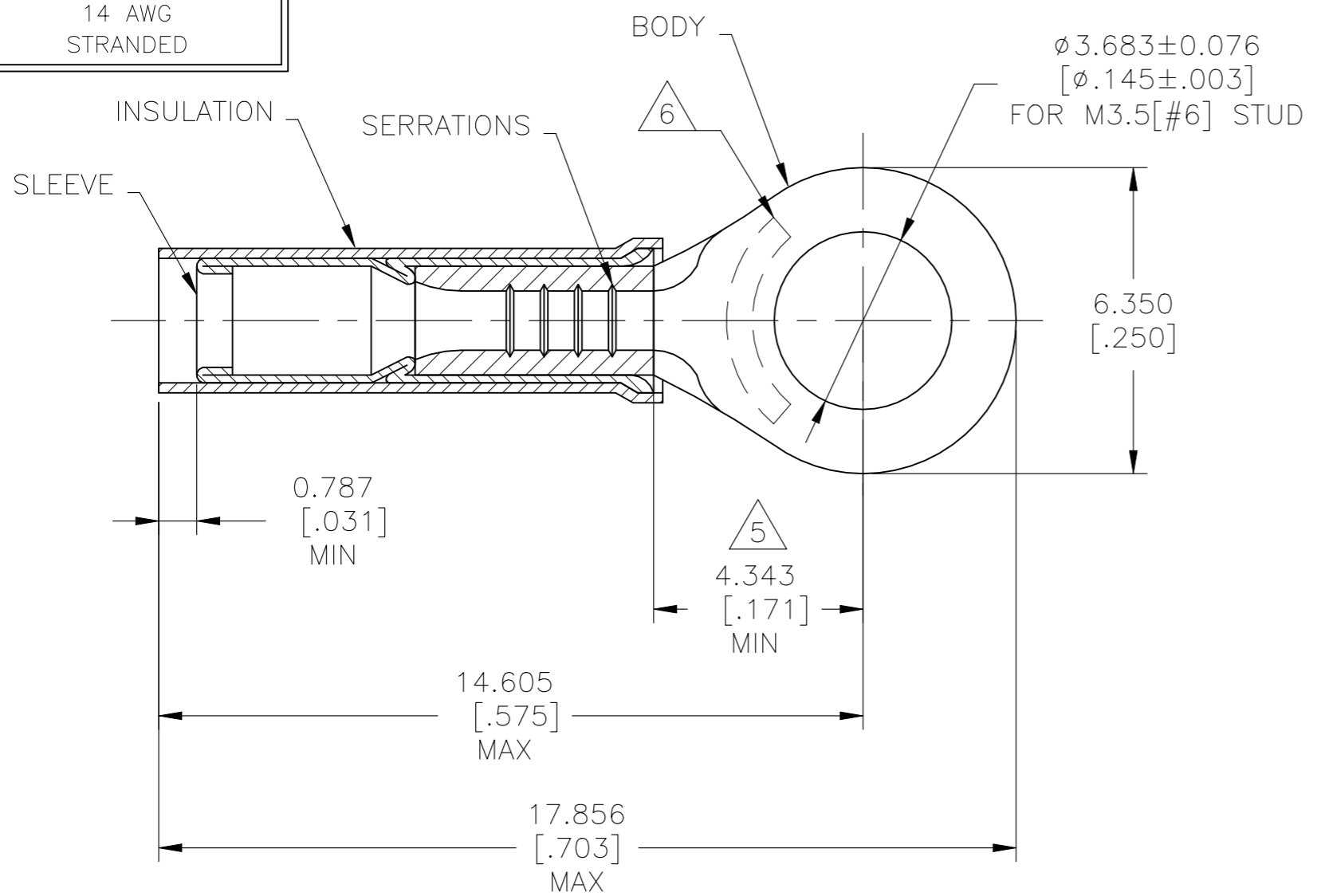


© - TE Connectivity. All Rights Reserved.

REVISIONS				
P	LTR	DESCRIPTION	DATE	APVD
	L5	ECR-22-138429	19MAY2022	LP DSC

AMP
WIRE RANGE

14 AWG
STRANDED



- 1 MATERIAL:
BODY & SLEEVE - COPPER PER ASTM B152
INSULATION - PTFE PER ASTM D4895
- FINISH:
BODY - NICKEL PLATE 0.00762[.00030]
AVG EXT THK PER SAE AMS-QQ-N-290
SLEEVE - NICKEL PLATE 0.001651[.000065]
AVG EXT THK PER SAE AMS-QQ-N-290
INSULATION COLOR - WHITE
- 2 FOR 2.032[.080] TO 3.810[.150] WIRE INSULATION DIA.
- 3 BODY MATERIAL THK: 0.787±0.051 [.031±.002]
- 4 NOTE DELETED
- 5 DIMENSION APPLIES FROM EDGE OF METAL WIRE BARREL TO CENTER OF STUD HOLE
- 6 STAMP "AMP 14" APPROX AS SHOWN

1000	LOOSE PIECE	50839-1
QTY	PACKAGE TYPE	PART NO.

AMP INCORPORATED CUSTOMER SERVICE SYSTEMS		MAX RECOMMENDED OPERATING TEMPERATURE: 288°C [550°F]	THIS DRAWING IS A CONTROLLED DOCUMENT.		DWN 130CT2015 NAGALAKSHMI K	STE TE Connectivity								
FOR ADDITIONAL PRODUCT INFORMATION OR COPIES OF DRAWINGS AND TECHNICAL DOCUMENTS	PRODUCT INFORMATION CENTER 1-800-522-6752	VOLTAGE RATING: 300V MAX	DIMENSIONS: mm [INCHES]	TOLERANCES UNLESS OTHERWISE SPECIFIED:	CHK 130CT2015 MERCURIO MAURIZIO				NAME TERMINAL, RING TONGUE, PIDG, STRATO-THERM, WIRE SIZE: 14 AWG					
FOR APPLICATION TOOLING INFORMATION	TOOLING ASSISTANCE CENTER 1-800-722-1111	CIRCULAR MIL AREA: 2.15mm²[4,234] STRANDED WIRE ONLY		0 PLC ± - 1 PLC ± - 2 PLC ± - 3 PLC ± 0.127[.005] 4 PLC ± - ± - ANGLES	APVD 130CT2015 MERCURIO MAURIZIO	PRODUCT SPEC	APPLICATION SPEC	SIZE	CAGE CODE	DRAWING NO	RESTRICTED TO			
FOR ORDER ENTRY	1-800-526-5142		MATERIAL	FINISH			114-2162	A3	00779	C-50839				
CUSTOMER DRAWING						WEIGHT	-	SCALE		NTS	SHEET	1 OF 1	REV	L5