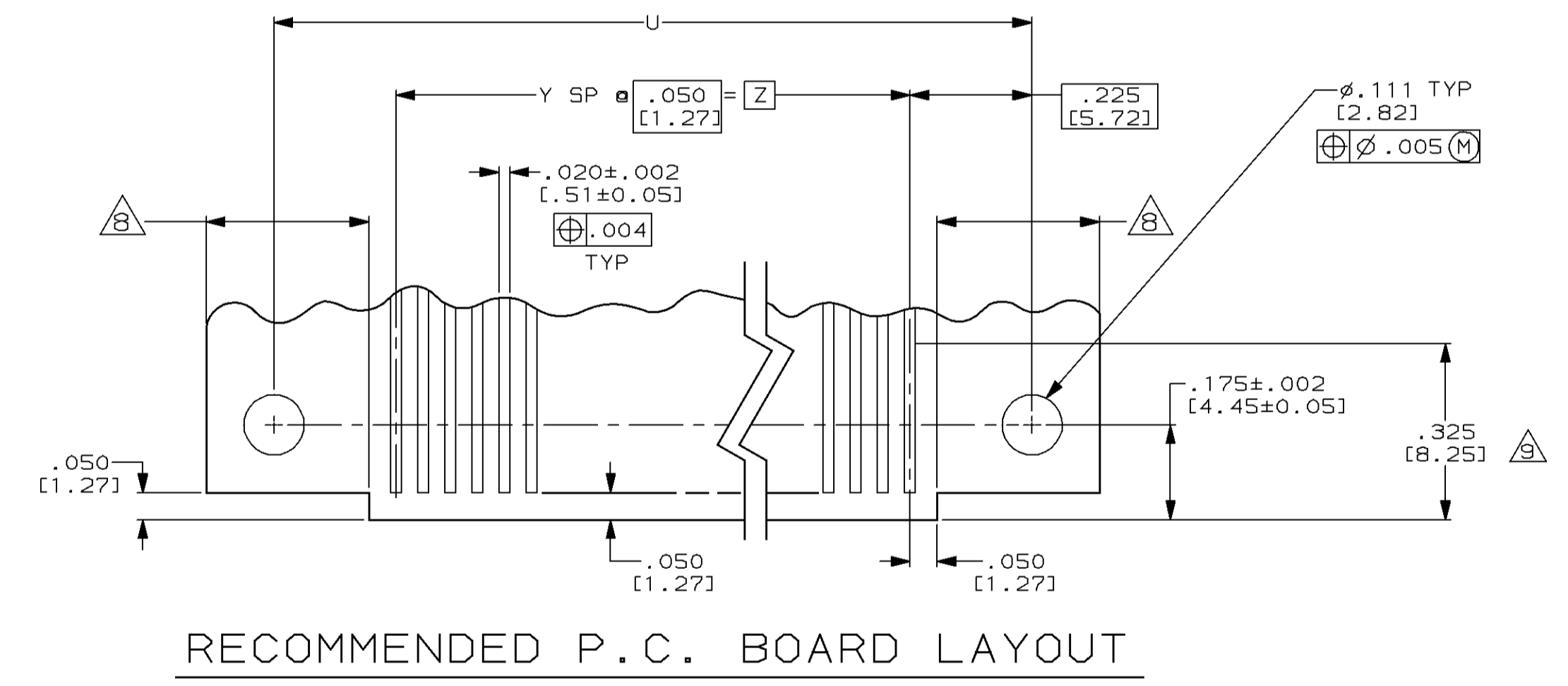
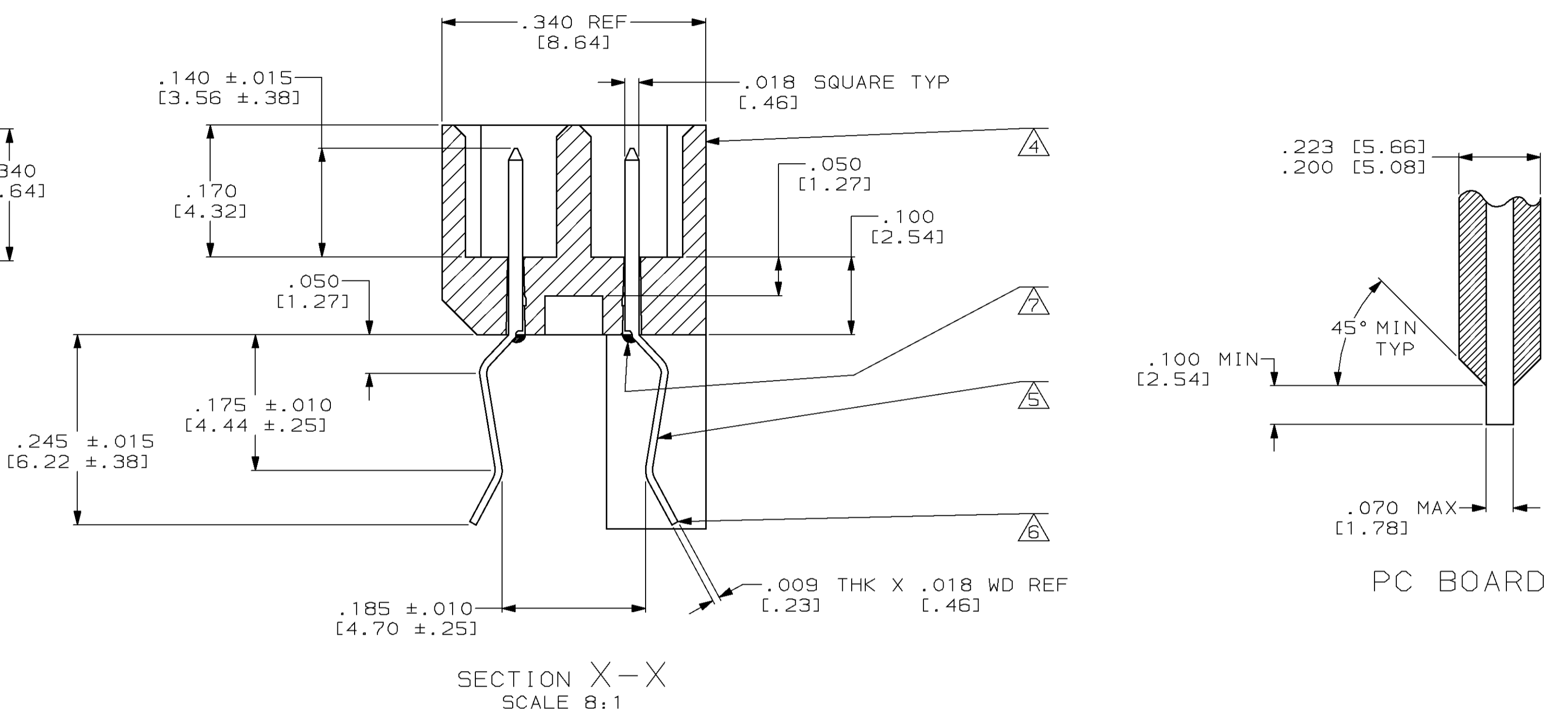
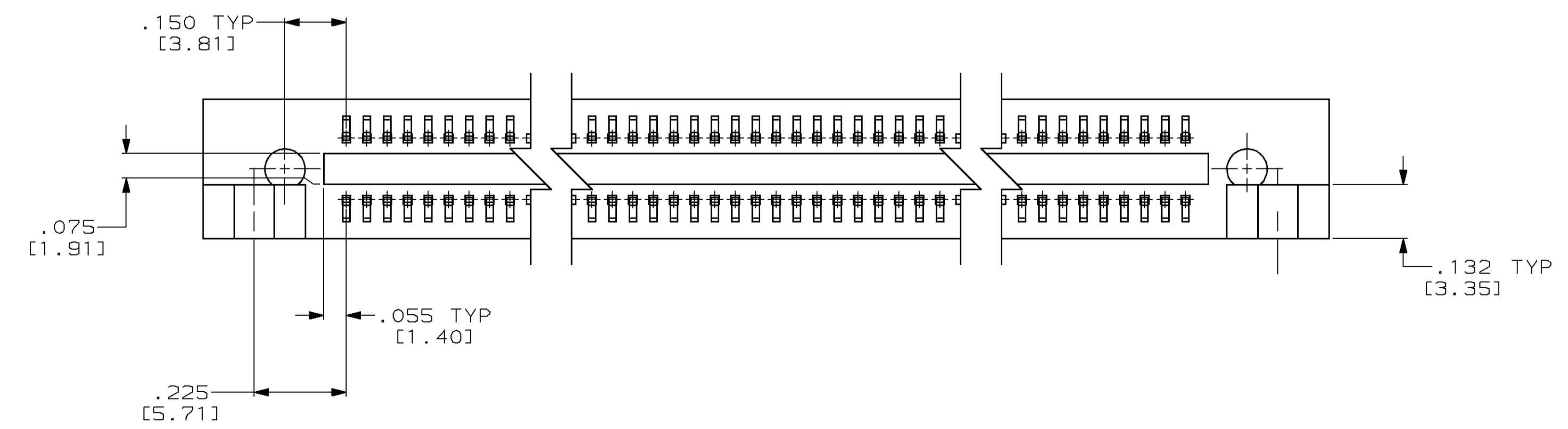
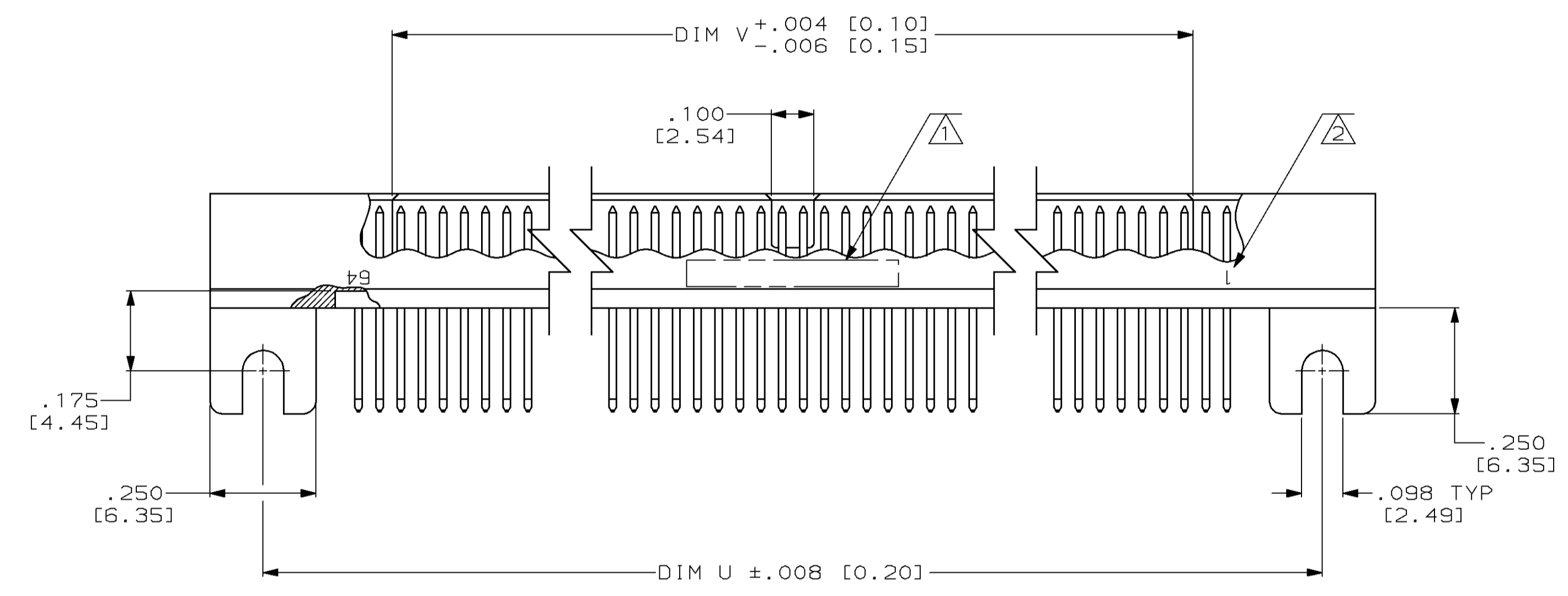
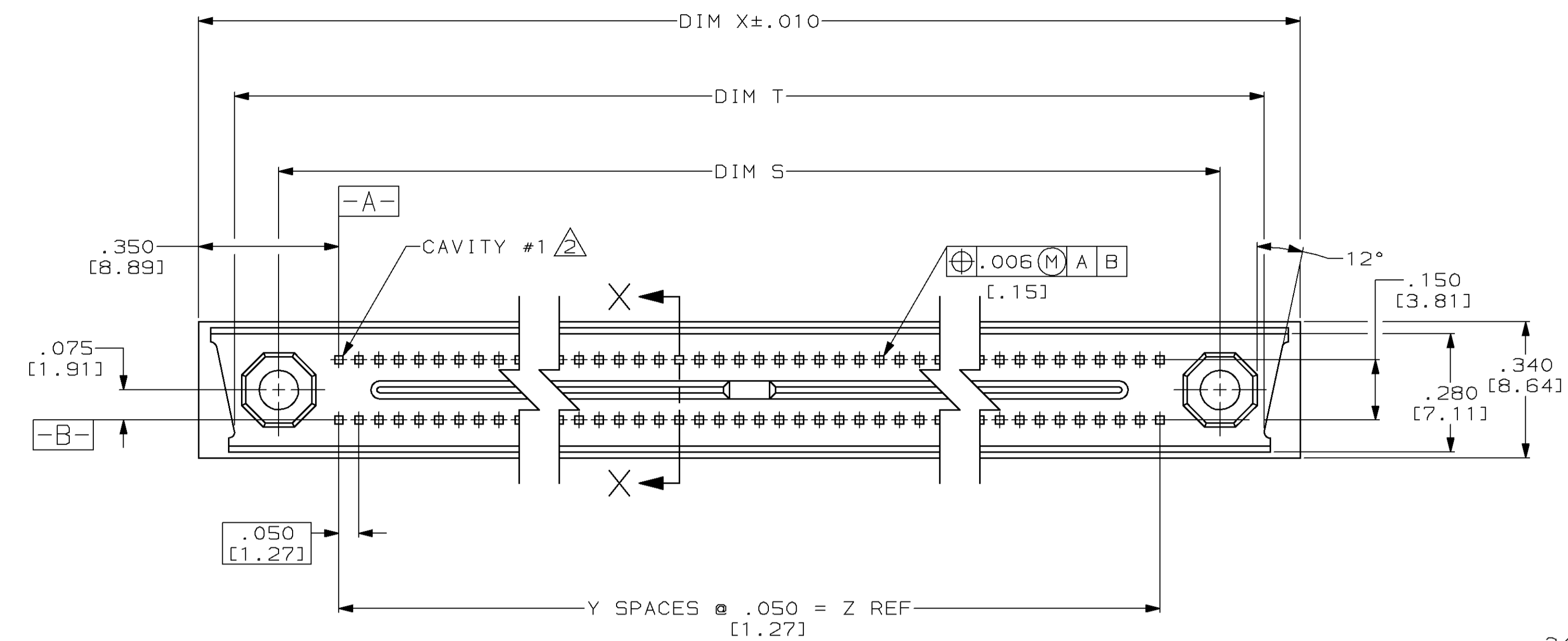


PROJ	LOC	Q1ST	P	F	ZONE	LTR	DESCRIPTION	DATE	APPD	
5327	DF	F0					REV PER 0600-6348-97	CT	9-97	DG



- ⚠ AMP, PART NUMBER & DATE CODE MARKED THIS SIDE ONLY.
- ② NUMBERS INDICATING END POSITIONS MARKED THIS SIDE 1 AND 64, OPPOSITE SIDE 64 AND 1.
- 3. INSPECTED PER MIL-C-55302, GROUPS A AND B.
- ④ HOUSING MATERIAL: LIQUID CRYSTAL POLYMER PER MIL-M-24519, GLCP-30F; COLOR: GRAY.
- ⑤ CONTACT MATERIAL: BRASS.
- ⑥ CONTACT FINISH: .000050 GOLD IN CONTACT AREA, NICKEL UNDERPLATE ALL OVER, TAILS DIPPED BY AMP FOR SOLDERING.
- ⑦ EPOXY ADDED TO BOTTOM WHERE CONTACT TAILS EXIT FROM THE HOUSING.
- ⑧ ON THE SIDE OF THE BOARD THAT INTERFACES WITH CONNECTOR EAR, THE BOARD SHOULD BE NO THICKER THAN THE CORE FITTING INTO THE REAR OF THE CONNECTOR SLOT.
- ⑨ MINIMUM PAD LENGTH ON CIRCUIT BOARD.

717801112-002	3.150 [80.01]	63	3.850 [97.79]	2.990 [75.95]	3.600 [91.44]	3.670 [93.22]	3.450 [87.63]	128	534671-1
CUSTOMER PART NUMBER	DIM Z	DIM Y	DIM X	DIM V	DIM U	DIM T	DIM S	NUMBER OF CONTACTS	PART NUMBER
DO NOT SCALE PRINT. UNLESS SPECIFIED DIMENSIONS IN INCHES [mm] TOLERANCES ON:					DR 2-20-91 T. SHUEY		AMP AMP Incorporated Harrisburg, PA 17105-3608 NAME ASSEMBLY, PIN HEADER, MINI-BOX, SHROUDED, CARD EXTENDER		
2 PLC DEC ± .005 [0.13]					CHK 12-31-91 D. GUTTER				
ANGLES ± 0° 30'					APPD 12-31-91 D. GUTTER				
MATERIAL					APPD 12-31-91 D. GUTTER		PRODUCT SPEC		
FINISH					APPLICATION SPEC		SIZE		
							D 00779		
							DRAWING NO		
							534671		
							SCALE		
							4:1		
							SHEET		
							1 OF 1		