

4

3

2

1

THIS DRAWING IS UNPUBLISHED.

RELEASED FOR PUBLICATION

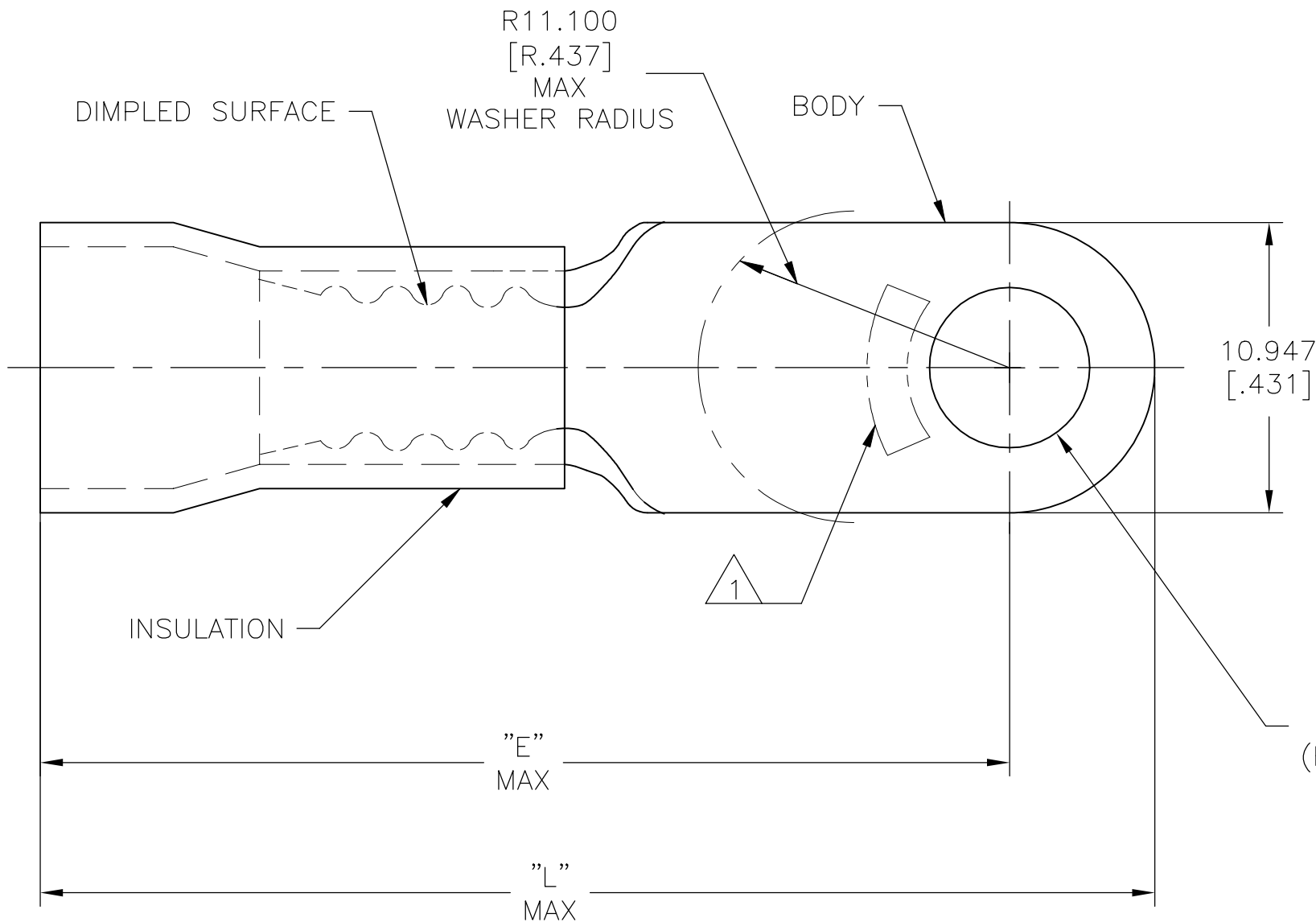
© COPYRIGHT - TE Connectivity Ltd.

ALL RIGHTS RESERVED.

REVISIONS

P	LTR	DESCRIPTION	DATE	DWN	APVD
	H1	REVISED PER ECO-11-002228	11FEB11	HMR	DR
	H2	REVISED PER ECO-17-014338	09APR2018	RS	DR


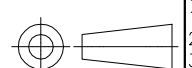

AMP WIRE RANGE	 FILE E13288	 LR7189 Certified
8 AWG STRANDED	8 AWG STRANDED	8 AWG STRANDED



- 1 STAMP AMP 8* LOCATE APPROX AS SHOWN
- 2 BODY MATERIAL THK 0.991 ± 0.051 [.039 ± .002]
- 3 TAPE ITEMS ARE ON 30.480 [1.200] CENTERS
- 4 BODY: COPPER PER ASTM B-152, INSULATION: PVC
- 5 BODY: TIN PLATE PER ASTM B-545 INSULATION COLOR-RED
- 6 NOTE DELETED

$\phi 6.731 \pm 0.127$
[$\phi 0.265 \pm 0.005$]
(FOR M6[1/4] STUD)

9.144 [.360]	34.392 [1.354]	39.649 [1.561]	500	55621-1 ON TAPE	55621-2
			100	LOOSE PIECE	55621-1
WIRE INSULATION OD MAX	"E"	"L"	QTY	PACKAGE TYPE	PART NO

MAX RECOMMENDED OPERATING TEMPERATURE: 105°C [221°F]	THIS DRAWING IS A CONTROLLED DOCUMENT.		DWN S.S. GOULDEN 10-12-93	 TE Connectivity Ltd.	
	DIMENSIONS: mm [INCHES]	TOLERANCES UNLESS OTHERWISE SPECIFIED:	CHK R. HERSEY 10-12-93		
VOLTAGE RATING: 600 V MAX		0 PLC ± -	APVD M ELLIS 10-12-93	NAME TERMINAL, RING TONGUE, PLASTI-GRIP, WIRE SIZE: 8 AWG	
CIRCULAR MIL AREA: 6.64-10.54mm² [13,100-20,800] STRANDED		1 PLC ± -	PRODUCT SPEC UL486 A-B		
	MATERIAL	2 PLC ± -	APPLICATION SPEC 114-2161	SIZE	RESTRICTED TO
		3 PLC ± 0.127 [.005]	WEIGHT	CAGE CODE A300779	DRAWING NO C-55621
		4 PLC ± -	CUSTOMER DRAWING	SCALE 4:1	SHEET 1 of 1
		FINISH		REV H2	
		