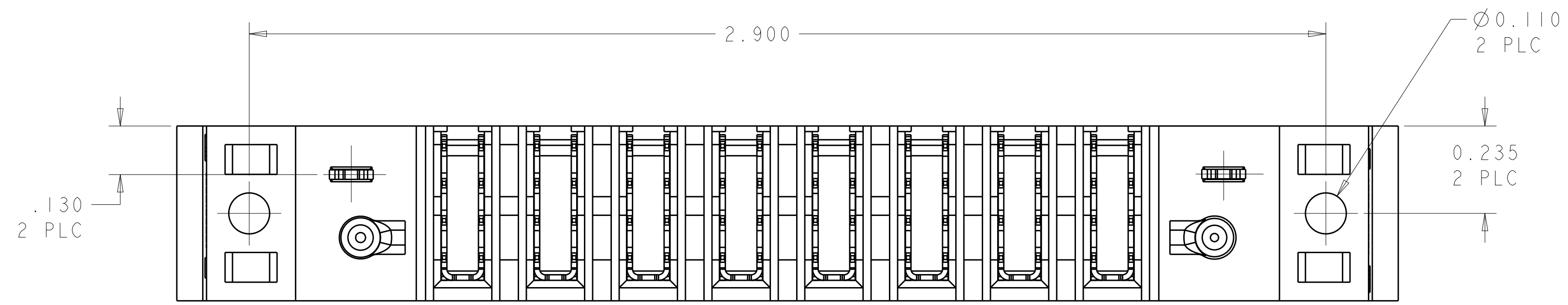
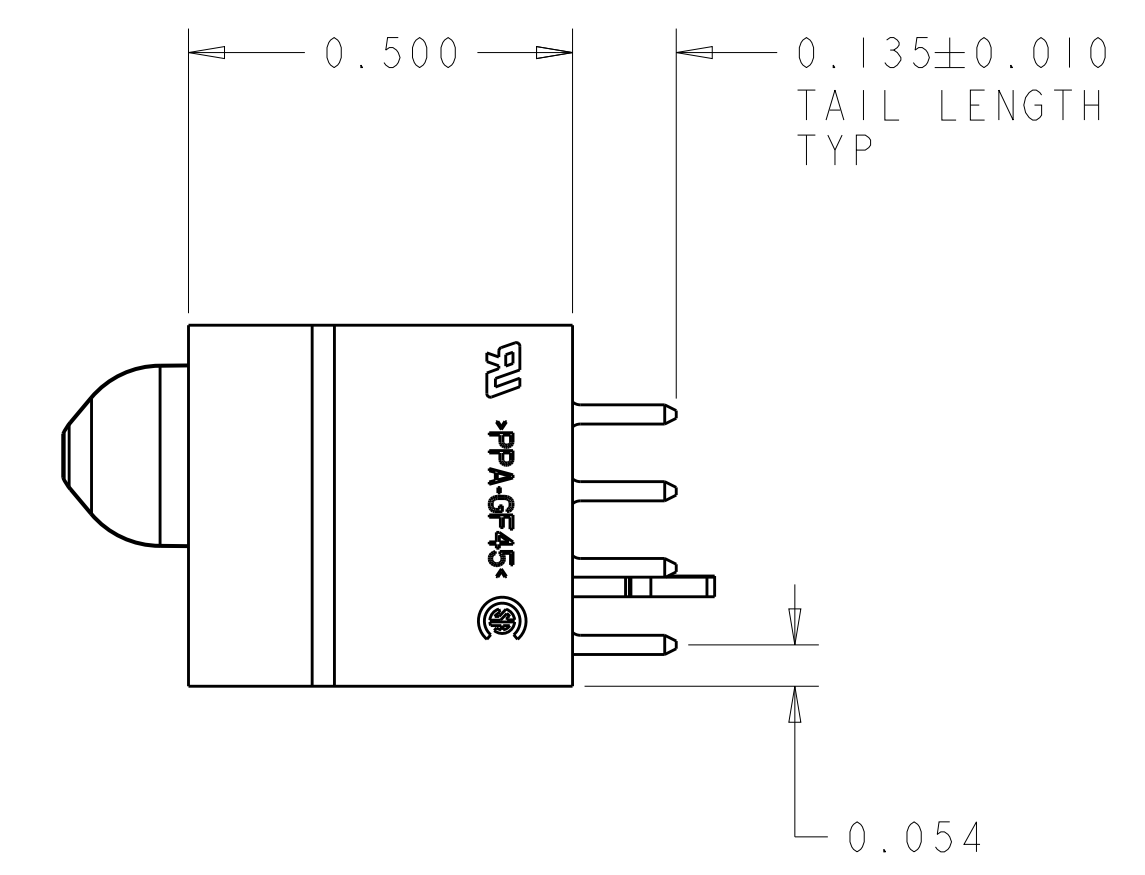
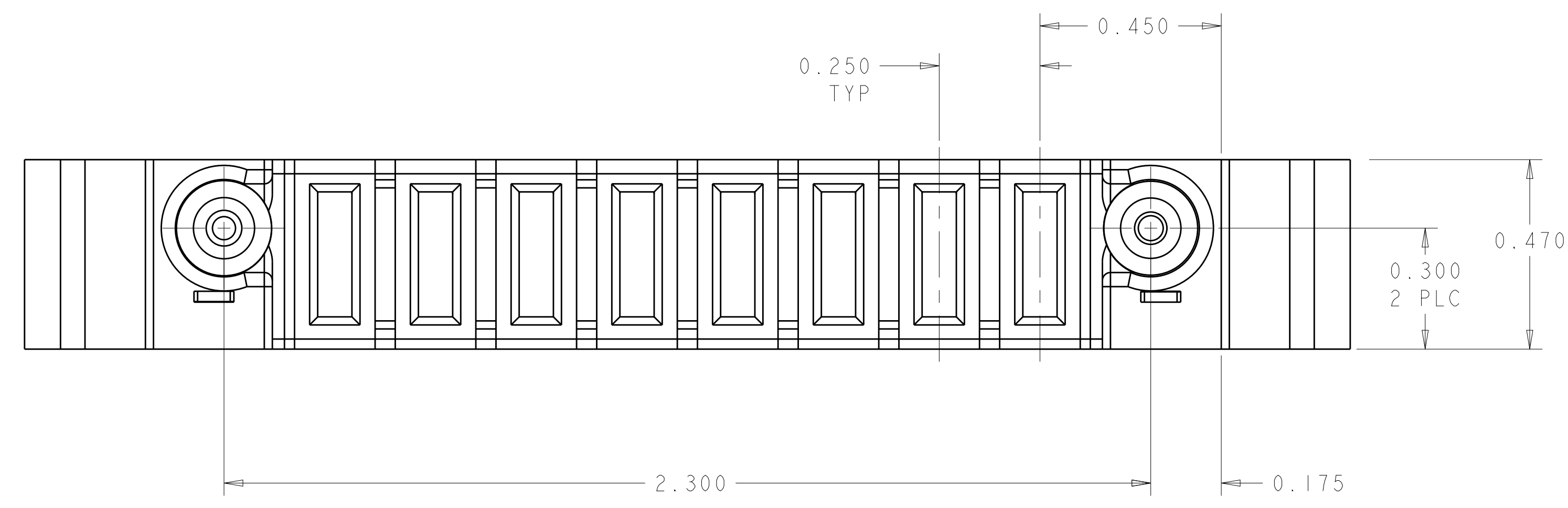
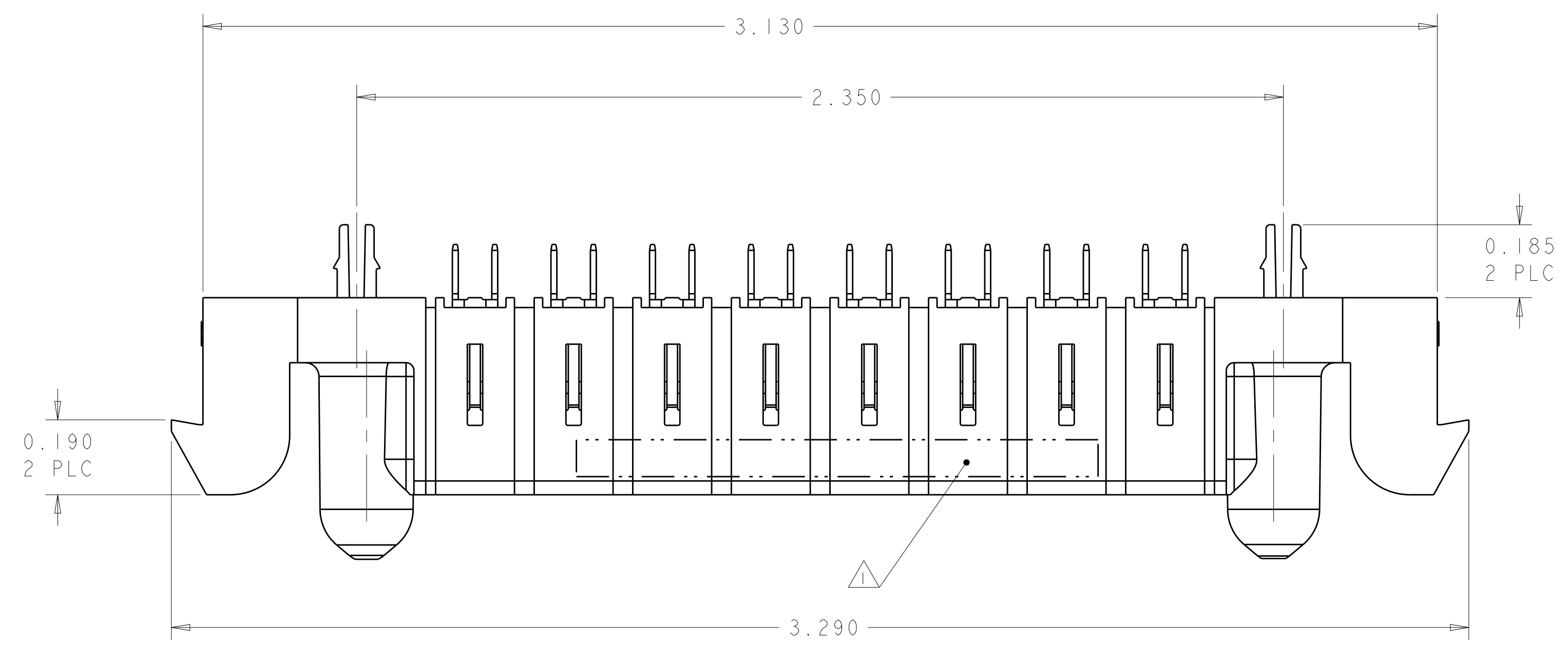


LOC	DIST	REVISIONS			
P	LTN	DESCRIPTION	DATE	DMN	APVD
GP	00	A1 ADVISED	15FEB2013	ML	SZ



- 1 "AMP", PART NUMBER AND DATE CODE TO BE MARKED IN AREA SHOWN
- 2 MATERIAL: HOUSING - GLASS FILLED HIGH TEMP THERMO PLASTIC, UL94 V-0
POWER CONTACT - HIGH CONDUCTIVITY COPPER ALLOY
- 3 CONTACT PLATING: NOBLE METAL PLATING ON CONTACT FUNCTIONAL AREA OF POWER AND SIGNAL CONTACTS
- 4 MECHANICAL CONNECTOR KEEP OUT ZONE. WHEN PLACING CONNECTORS END TO END, ALLOW ADDITIONAL 0.5 CLEARANCE BETWEEN CONNECTORS FOR LATCH ACTIVATION.
- 5 DATUM AND BASIC DIMENSIONS ESTABLISHED BY CUSTOMER
- 6 PCB - ALL HOLE DIMENSIONS ARE FINISHED HOLE SIZES
- 7 PCB - .0453 ±.0010 DRILLED HOLES, PLATED WITH .0003 MIN SN OVER .001 TO .003 CU PLATING TO ACHIEVE A .040 DIA HOLE
- 8. RECOMMEND USING TWO CUSTOMER SUPPLIED SCREWS TO SECURE TO BOARD: 5-20 X .38 LG, SELF-TAPPING, HI-LO TYPE, CROSS RECESSED PAN HD. OR TYCO ENGINEERING APPROVED EQUIVALENT.



8P	6450159-1
DESCRIPTION	PART NUMBER

THIS DRAWING IS A CONTROLLED DOCUMENT.

DIMENSIONS:	TOLERANCES UNLESS OTHERWISE SPECIFIED:	OWN	R. GRZYBOWSKI	21FEB05
INCHES	0 PLC ±.01	CHK	M. PERCHERKE	21FEB05
	1 PLC ±.01	APVD	M. PERCHERKE	
	2 PLC ±.01	PRODUCT SPEC		
	3 PLC ±.005	APPLICATION SPEC		
	4 PLC ±.0020	SIZE	114-13038	
	ANGLES ±.020	WEIGHT		
MATERIAL	FINISH	Customer Drawing	SCALE	4:1

Customer Drawing

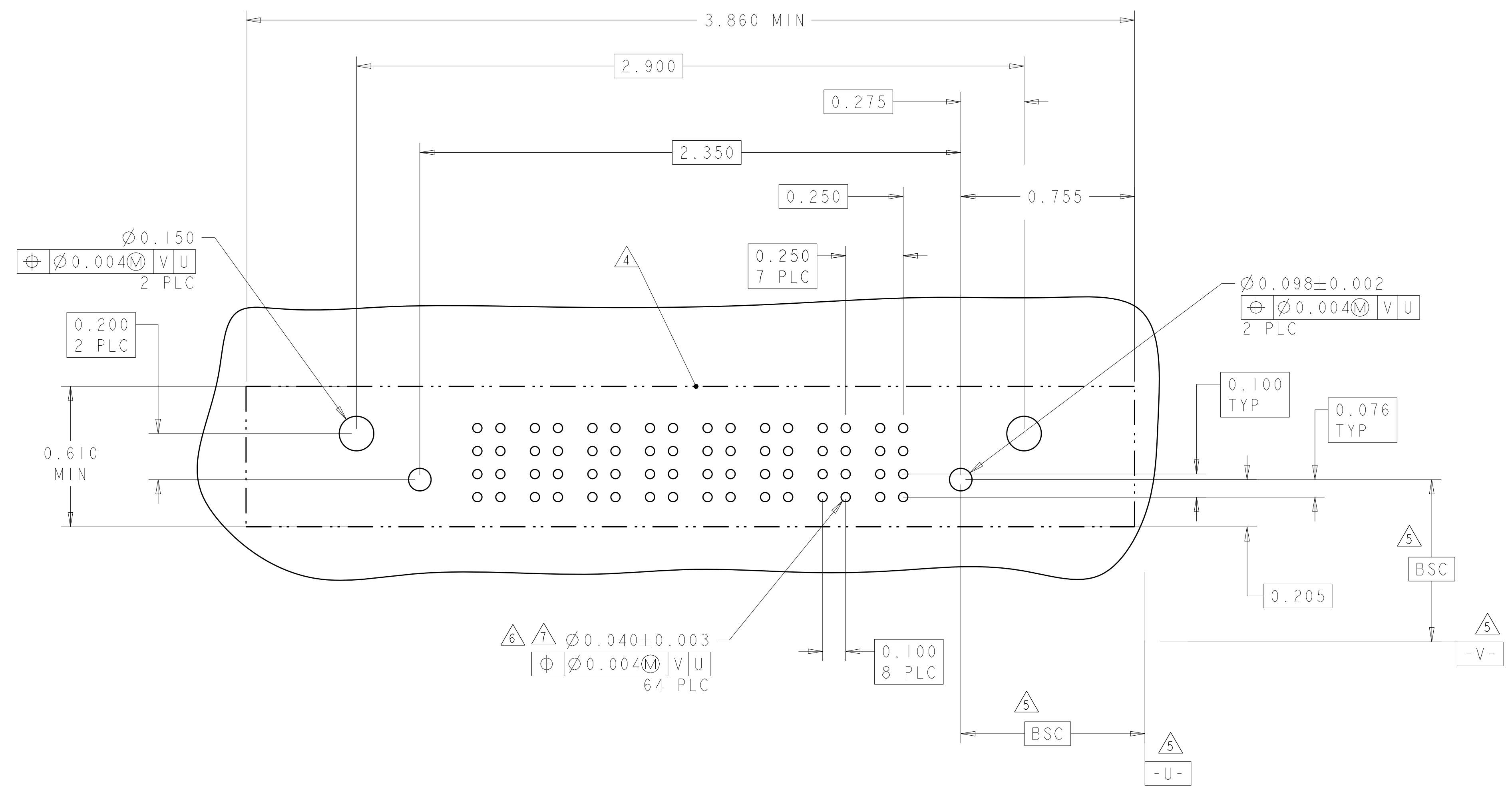
NAME	VERTICAL RECEPTACLE ASSEMBLY WITH LATCHES GUIDES, MULTI-BEAM XL
SIZE	A1
CAGE CODE	6450159
DRAWING NO	108-1973
RESTRICTED TO	

Customer Drawing

SHEET	1	OF	2	REV	A1
-------	---	----	---	-----	----

LOC	DIST	REVISIONS			
P	LTN	DESCRIPTION	DATE	DMN	APVD
-	-	SEE SHEET 1	-	-	-

PART NUMBER	ROWS	POWER								
		P8	P7	P6	P5	P4	P3	P2	P1	
6450159-1	D C B A	○	VM	VM	VM	VM	VM	VM	VM	○
		HD								HD
8P										



VM	STD
VA	MFBL
CODE	PRESS FIT
POWER CONTACT	

DIMENSIONS:		TOLERANCES UNLESS OTHERWISE SPECIFIED:		MATERIAL:		FINISH:	
INCHES		0 PLC	±				
		1 PLC	±.01				
		2 PLC	±.01				
		3 PLC	±.005				
		4 PLC	±.0020				
		ANGLES	±2°				

THIS DRAWING IS A CONTROLLED DOCUMENT.		DMN	R.GRZYBOWSKI	Z1FEB05
		CHK	M.PERCHEKKE	Z1FEB05
		APVD		
		NAME	VERTICAL RECEPTACLE ASSEMBLY WITH LATCHES GUIDES, MULTI-BEAM XL	
		PRODUCT SPEC	108-1973	
		APPLICATION SPEC	114-13038	
		WEIGHT	-	
		RESTRICTED TO	-	
		Customer Drawing	SCALE	4:1
		SIZE	A1	00779
		DRAWING NO	C=6450159	
		SHEET	2	OF 2
		REV	A1	