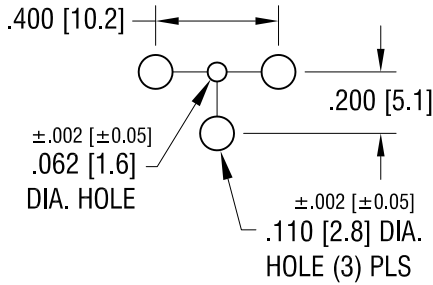
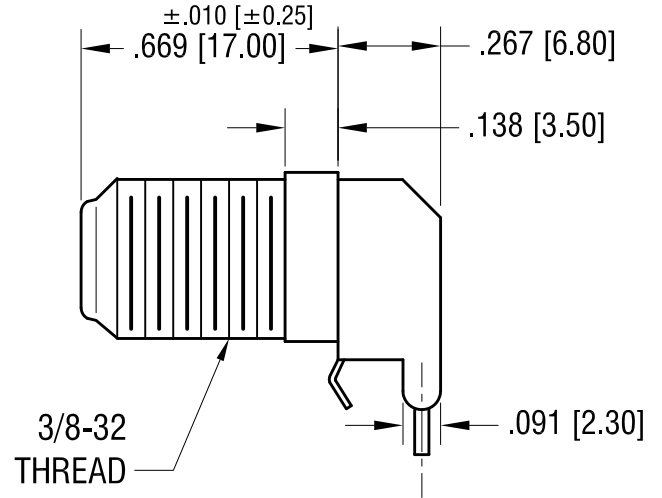
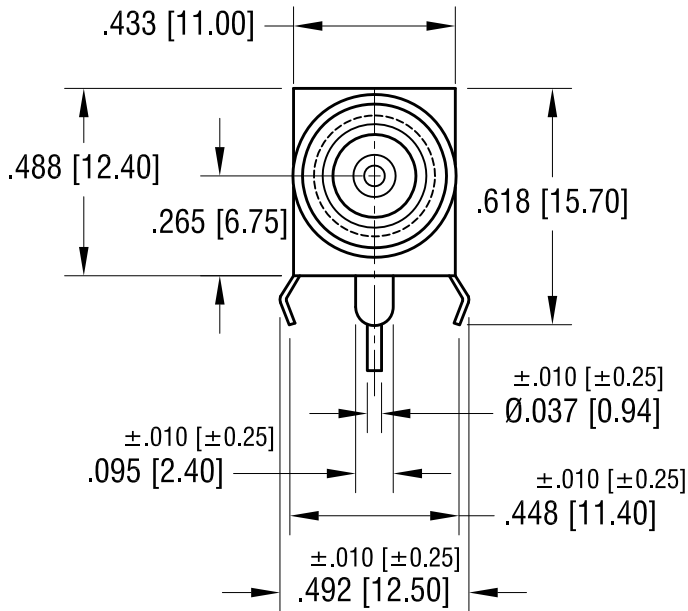
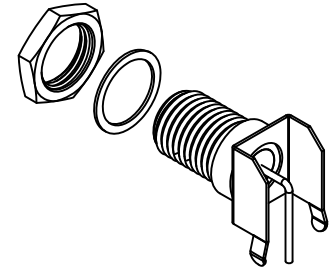


THIS DOCUMENT IS THE PROPERTY OF
KEYSTONE ELECTRONICS CORP. AND
SHALL NOT BE REPRODUCED, DISTRIBUTED
OR USED AS A BASIS FOR MANUFACTURE
WITHOUT PRIOR WRITTEN PERMISSION
FROM KEYSTONE ELECTRONICS CORP.

MOUNTING DETAIL



ACTUAL SIZE



NOTES:

1. BRACKET:
MAT'L - STEEL, NICKEL PLATE
2. CONTACT:
MAT'L - BRASS, TIN PLATE
3. THREADED BODY: 3/8-32 TH'D
MAT'L - BRASS, NICKEL PLATE
4. INSULATOR:
MAT'L - POLYPROPYLENE (WHITE COLOR)
5. NUT AND WASHER SUPPLIED UNASSEMBLED

3.25.20 PIN WAS .035W x .012 TH'K FLAT
INSULATOR WAS NATURAL COLOR
CHANGE AS PER ECN 20-027

7.02.18 BRACKET WAS TIN PLATE
UPDATE DIMENSIONS
CHANGE AS PER ECN 18-024

B

A

REV.

KEYSTONE ELECTRONICS CORP.

www.keyelco.com • NEW HYDE PARK, NY 11040 • Tel (516) 328-7500

PART NAME		RIGHT ANGLE PC 'F' CONNECTOR	
MATERIAL		AS NOTED	
FINISH	AS NOTED	DRN BY	BOONE
		APP'D	RH
		DATE	1.7.97
		SCALE	2X
TOLERANCES	INCH [MM]	CODE	DWG NO.
DECIMAL	± .005 [± 0.13]	C	911
ANGULAR	± 1°		
UNLESS OTHERWISE SPECIFIED			

DATE DESCRIPTION