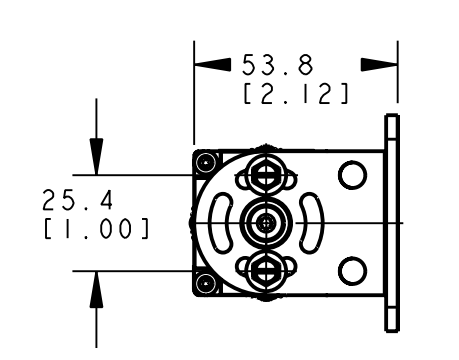
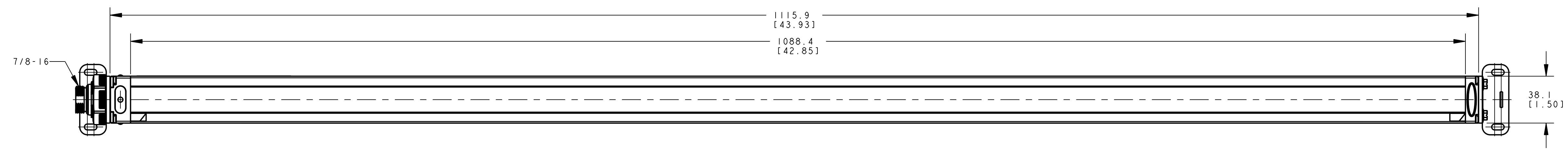
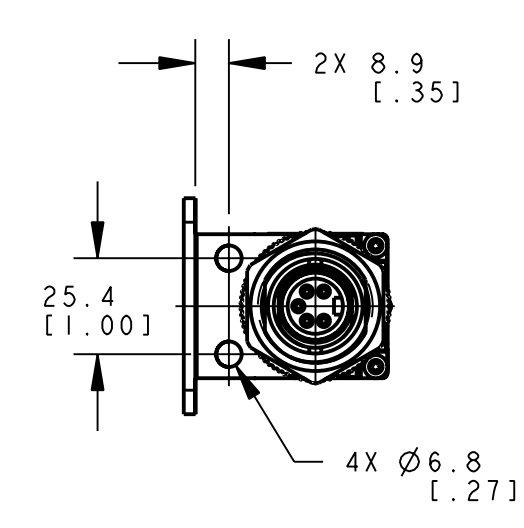


ISOMETRIC VIEW
SCALE 1:4



NOTES:
1. ALL DIMENSIONS ARE MILLIMETERS [INCHES] UNLESS OTHERWISE NOTED.

<small>This drawing is the property of BANNER ENGINEERING CORP. and is proprietary in general and in detail. Its contents shall not be revealed to outside parties without written consent of BANNER.</small>		BANNER ENGINEERING CORP. P.O. BOX 9414 MINNEAPOLIS, MN 55440	
THIRD ANGLE PROJECTION 		TITLE BMEL4216/BMEL4232 WEB CAD DRAWINGS 2D/3D	
SIZE D SCALE 1:2	DRAWING NO. 169479	REV. A	SHEET 1 OF 1