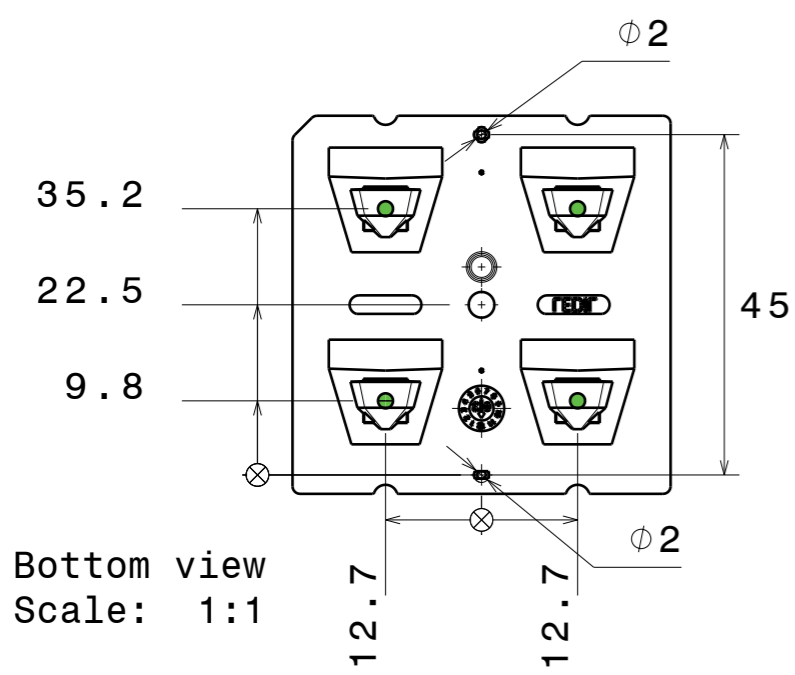
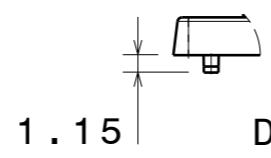


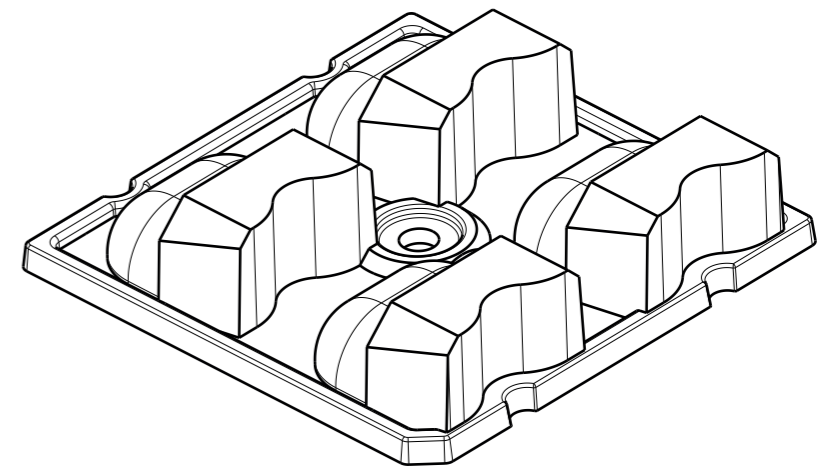
H G F E D C B A



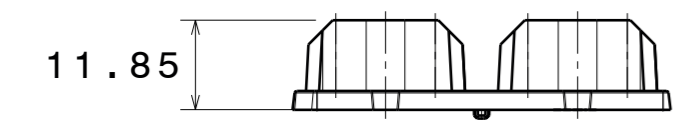
Bottom view
Scale: 1:1



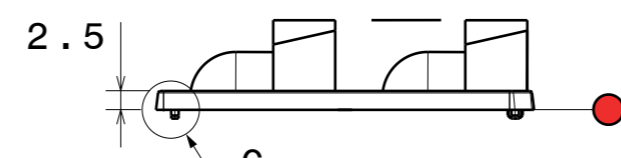
Detail C
Scale: 2:1



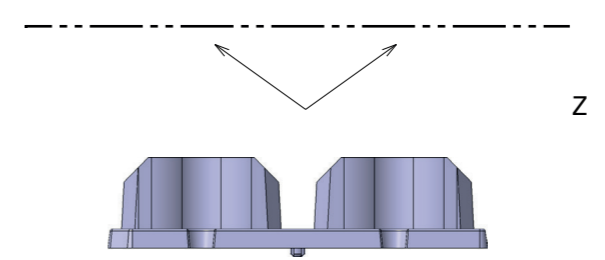
Isometric view
Scale: 3:2



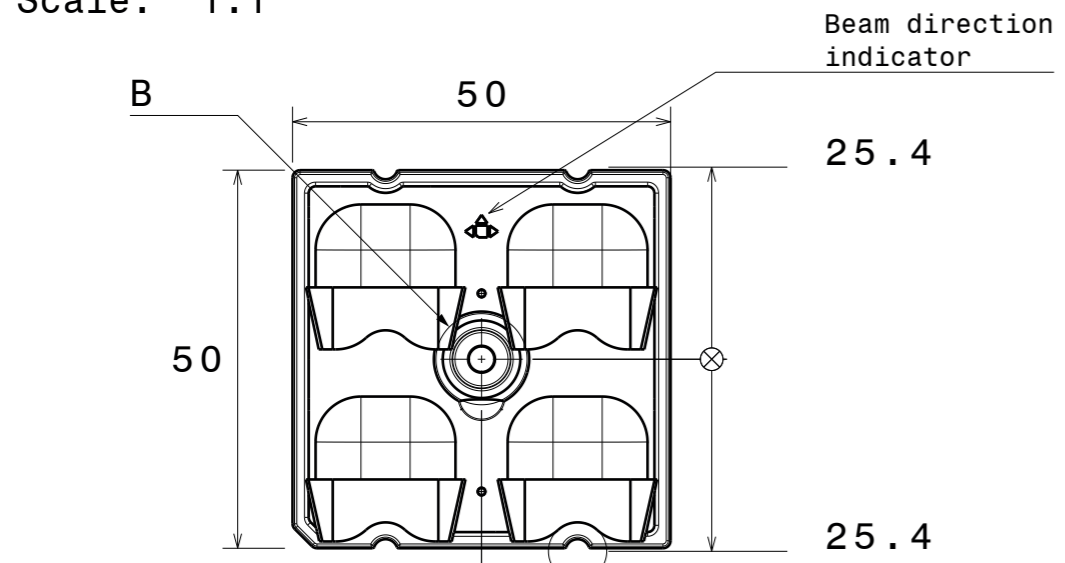
Front view
Scale: 1:1



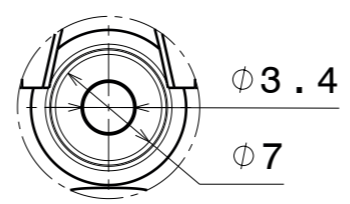
Left view
Scale: 1:1



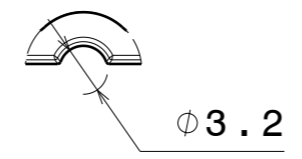
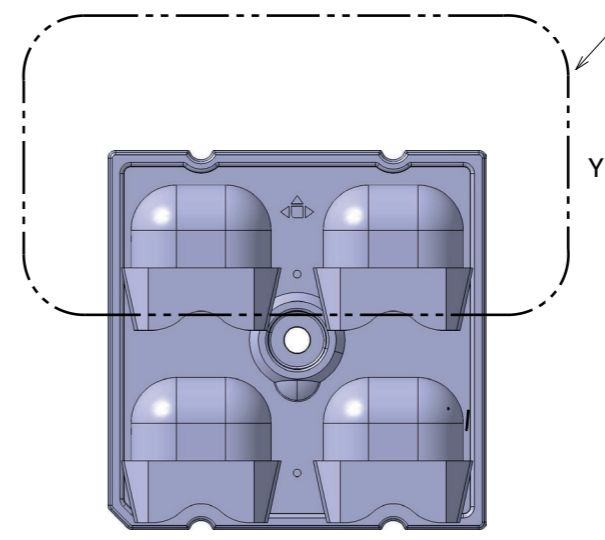
Light Pattern Direction



Top view
Scale: 1:1



Detail B
Scale: 2:1



Detail A
Scale: 2:1

Notes

- PCB or heatsink level.
- LED location.
- Ensure LED fitting from a product specific 3D model available from www.ledil.com.
- See installation details in page 2.

MECHANICAL DRAWING		LEDiL [®]
PRODUCT C16504_STRADA-2X2-T2-M		
Plastic moulding general tolerances according to DIN 16901-130 and applies if not otherwise shown in the drawing. Silicone moulding general tolerances according to ISO 3302-1 Class M3 and applies if not otherwise shown in the drawing.	FIRST ANGLE PROJECTION: 	This drawing is the property of LEDiL Oy. It may not be reproduced, copied or communicated without a written agreement with LEDiL Oy.
SCALE 1:1	WEIGHT 12 g	A3 SHEET 1/2

H G B A

4

3

2

1

4

3

2

1

Holes for
position pins

PCB

LENS

Optional screw holes

M3 washer

M3 screw

Installation

Optional screw holes

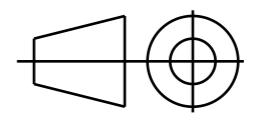
MECHANICAL DRAWING

PRODUCT
C16504_STRADA-2X2-T2-M

LEDiL[®]

Plastic moulding general tolerances according to DIN 16901-130 and applies if not otherwise shown in the drawing.
Silicone moulding general tolerances according to ISO 3302-1 Class M3 and applies if not otherwise shown in the drawing.

FIRST ANGLE PROJECTION:



This drawing is the property of LEDiL Oy. It may not be reproduced, copied or communicated without a written agreement with LEDiL Oy.

SCALE 2:1

WEIGHT -

A3 SHEET 2/2