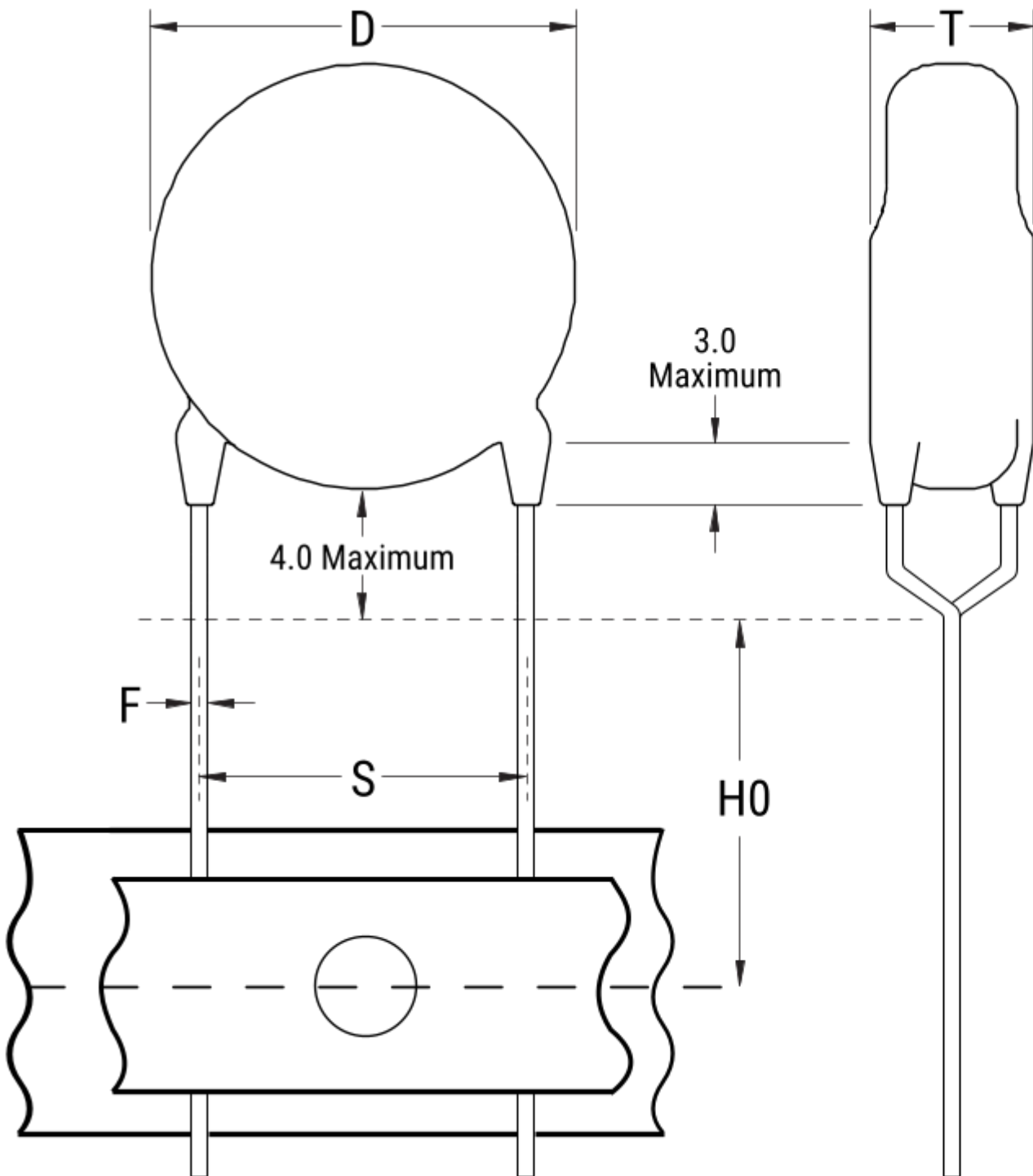


C905U102MYVDBA7317

Not for New Design

C900AC SFTY X1-400 Y2-250, Ceramic, 1000 pF, 20%, 400 VAC (X1), 250 VAC (Y2), Y5V, Lead Spacing = 5mm



Click [here](#) for the 3D model.

Dimensions

D 7mm MAX

T 5mm MAX

Dimensions

S 5mm +/-0.8mm

H0 18mm +2/-0mm

F 0.55mm +/-0.1mm

Packaging Specifications

Packaging Ammo

Packaging Quantity 1000

General Information

Series C900AC SFTY X1-400 Y2-250

Style Radial Disc

RoHS Yes

Termination Tin

Failure Rate N/A

Qualifications UL, ENEC, VDE, CSA, CAN

AEC-Q200 No

Halogen Free Yes

Component Weight 400 mg

Specifications

Capacitance 1000 pF

Capacitance Tolerance 20%

Voltage AC 400 VAC (X1), 250 VAC (Y2)

Dielectric Withstanding Voltage 2600 VDC

Temperature Range -40/+125°C

Temperature Coefficient Y5V

Dissipation Factor 5%

Insulation Resistance 10 GOhms

Safety Class X1/Y2

Statements of suitability for certain applications are based on our knowledge of typical operating conditions for such applications, but are not intended to constitute - and we specifically disclaim - any warranty concerning suitability for a specific customer application or use. This Information is intended for use only by customers who have the requisite experience and capability to determine the correct products for their application. Any technical advice inferred from this Information or otherwise provided by us with reference to the use of our products is given gratis, and we assume no obligation or liability for the advice given or results obtained.

Generated 5/18/2023 - 6ff6ff7e-f54b-4c6d-a899-c54fedccba65

© 2006 - 2023 KEMET

Generated 5/18/2023 - 6ff6ff7e-f54b-4c6d-a899-c54fedccba65

© 2006 - 2023 KEMET