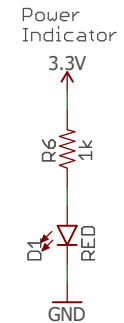
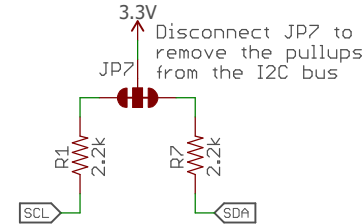
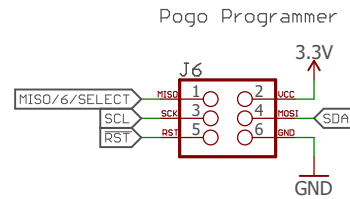
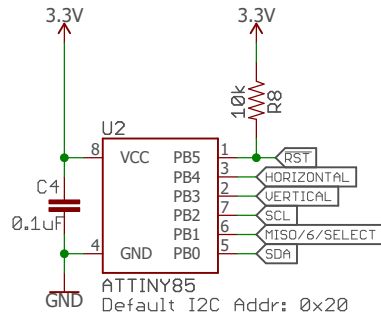
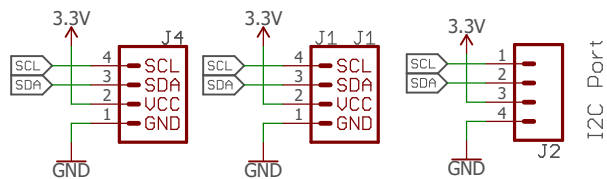


ATTiny85

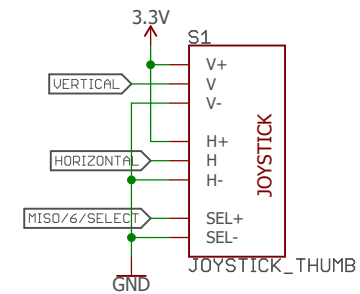
Vin: 2.7-5.5V



I2C Connections



Joystick




open hardware


sparkfun

Released under the Creative Commons
Attribution Share-Alike 4.0 License
<https://creativecommons.org/licenses/by-sa/4.0/>



TITLE: Qwiic Joystick

Design by: Nick Poole
Revision By: Kevin Kuwata, Andy England

REV:
v10

Date: 2/12/2019 4:18 PM

Sheet: 1/1