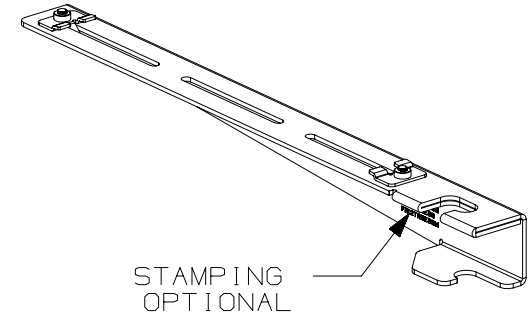
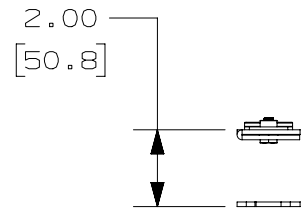
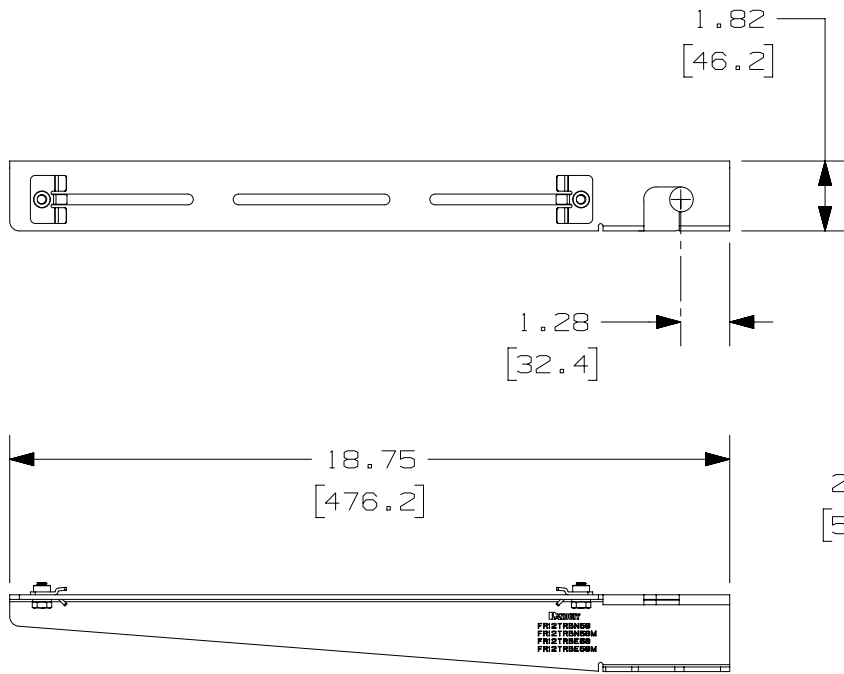


THIS COPY IS PROVIDED ON A RESTRICTED BASIS AND IS NOT TO BE USED IN ANY WAY DETRIMENTAL TO THE INTERESTS OF PANDUIT CORP.

PANDUIT PART NUMBER	WEIGHT
FR12TRBN58 FR12TRBN58M	2.38 LB/EACH (1079g/EACH)

NOTES:

- SEE CURRENT CATALOG FOR ADDITIONAL PART SUFFIXES TO INDICATE PACKAGE QUANTITY.
- THE FIBERRUNNER 12x4 QUIKLOCK NEW THREADED ROD BRACKET IS USED TO SUPPORT THE FIBERRUNNER 12x4 CABLE ROUTING SYSTEM FROM A SECTION OF NEW 5/8" (M16) THREADED ROD (NOT INCLUDED).
- THE FIBERRUNNER 12x4 QUIKLOCK NEW THREADED ROD BRACKET INCLUDES:  
ONE (1) BRACKET ASSEMBLY,  
TWO (2) 5/8 HELICAL SPRING LOCKWASHERS,  
TWO (2) 5/8-11 HEAVY HEX NUTS (FR12TRBN58 ONLY),  
TWO (2) M16x2 HEX NUTS (FR12TRBN58M ONLY),  
ONE (1) 1/4-20 T-BOLT,  
ONE (1) 1/4-20 HEX KEPS NUT
- FINISH COLOR: BLACK (EXCEPT HARDWARE)
- DIMENSIONS IN PARENTHESSES ARE IN METRIC.



02B	9/10/19	MEX-JAGC	FWI	FWI	H. "STAMPING OPTIONAL" LABEL ADDED SEE PREVIOUS REVISION FOR HISTORY			V09002CN/00	
REV	DATE	BY	CHK	APR	DESCRIPTION			ECN	

TITLE				FIBERRUNNER 12X4 QUIKLOCK NEW THREADED ROD BRACKET 5/8" (M16) THREADED ROD					
				CUSTOMER DRAWING					
ITEM REVISION NAME				D37797CR/02					
DATASET FILE NAME				D37797CR_DC/02B					
				MATERIAL: N/A					
				DRAWING NUMBER: 37797-46					
DRAWN BY		DATE		CHK		SCALE		THIRD ANGLE PROJECTION	
JHNU		05-30-01		CFG		NONE		SHT 1 OF 1	
REV		DATE		BY		CHK		APR	
								A	

D10100DA/20