

Customer Information Sheet

DRAWING No.: G125-22496F5-01-08-01

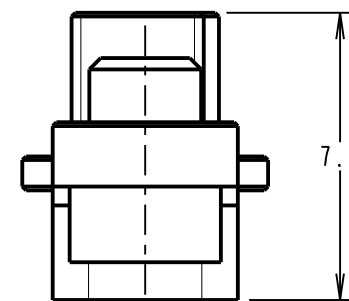
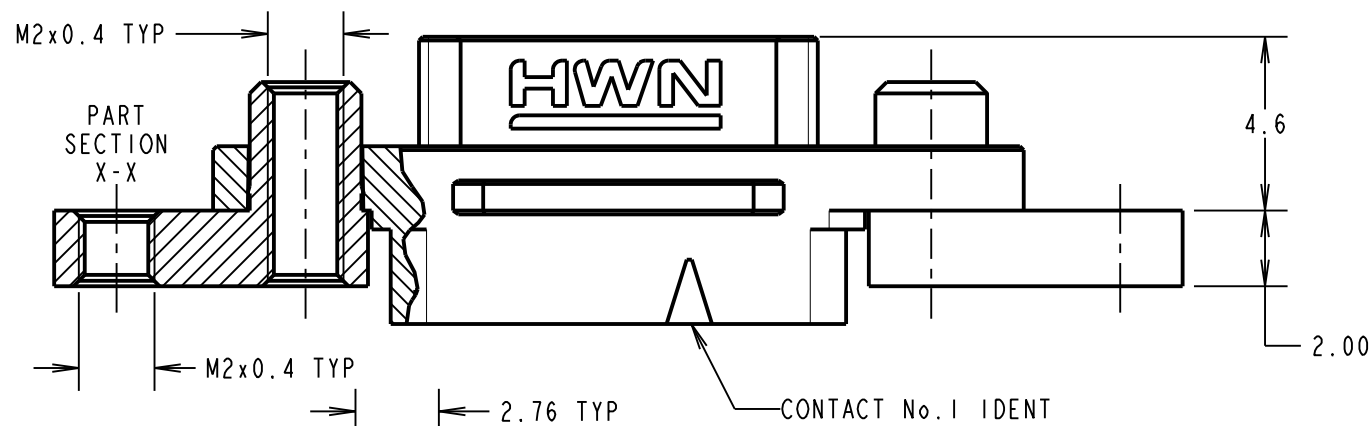
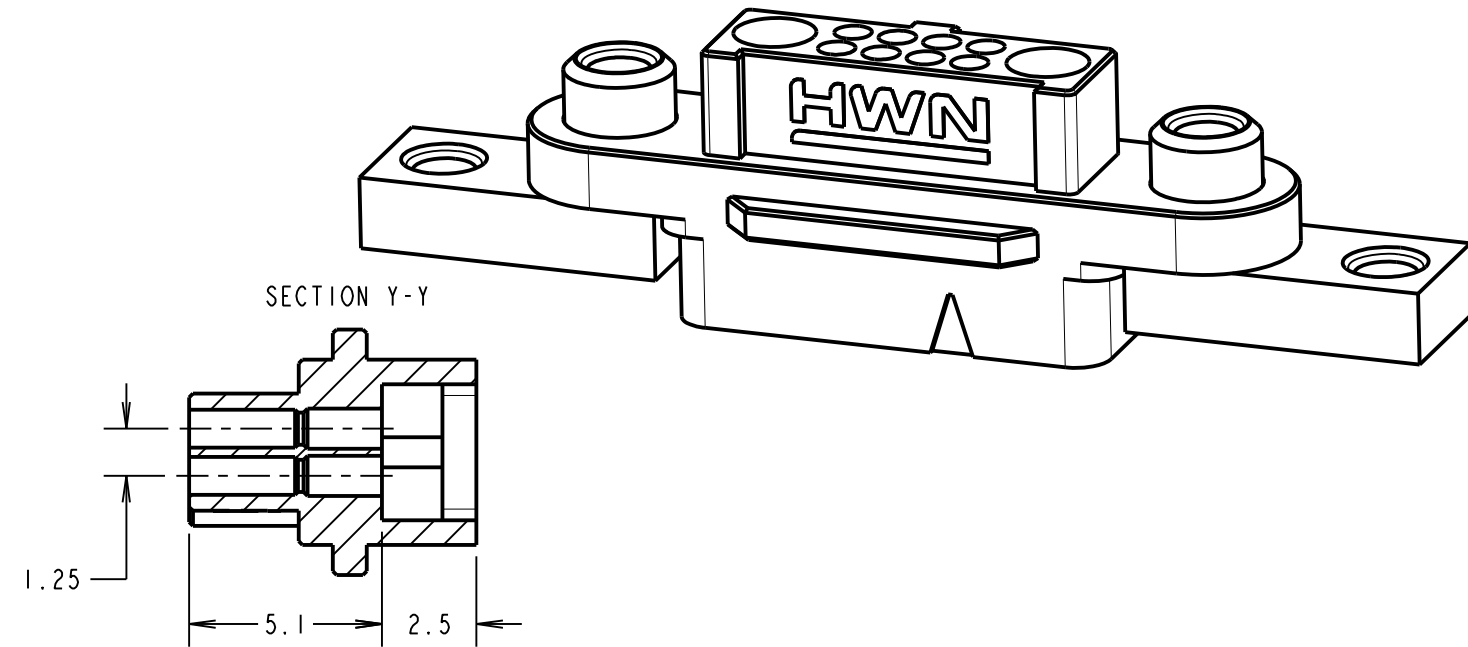
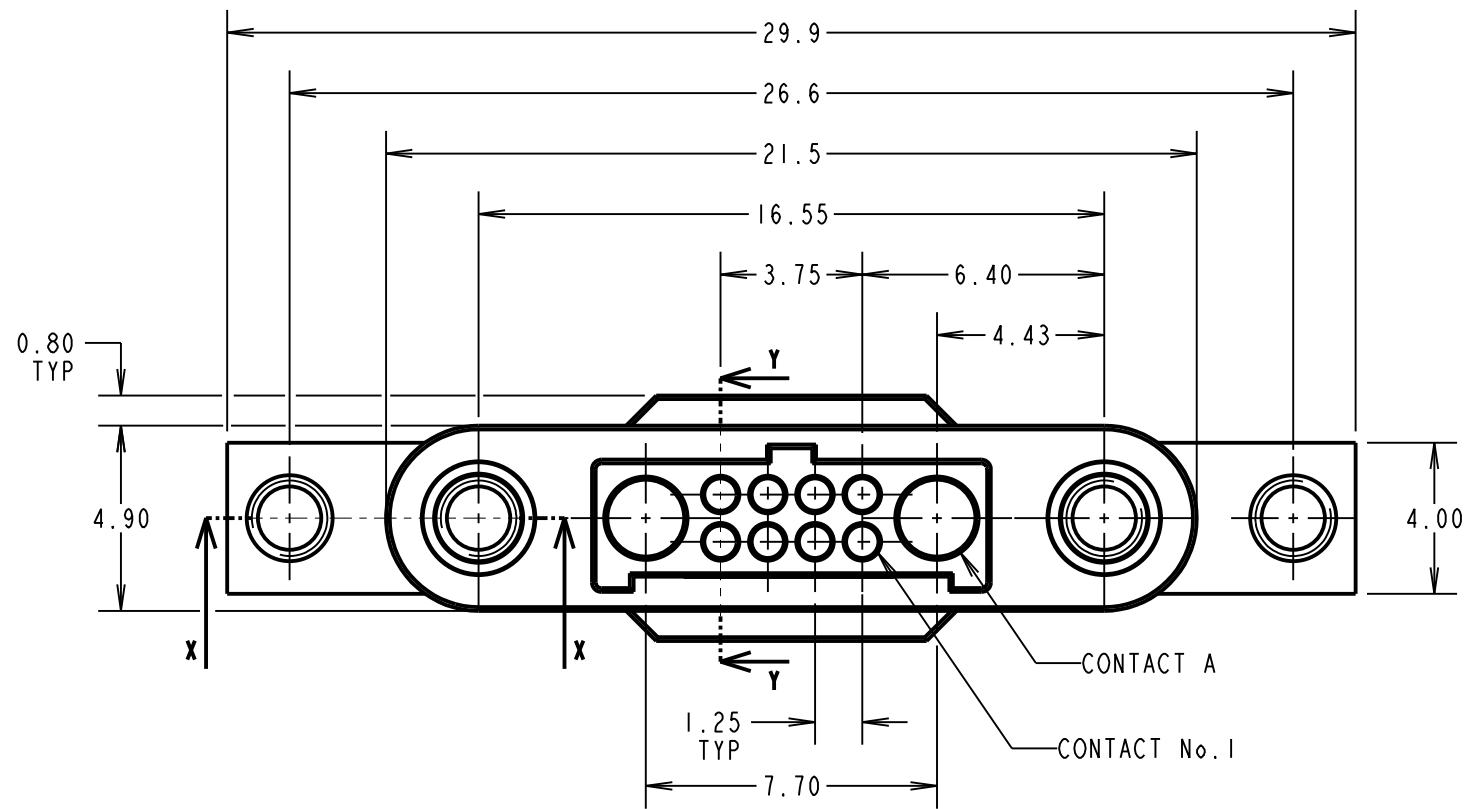
IF IN DOUBT - ASK

©

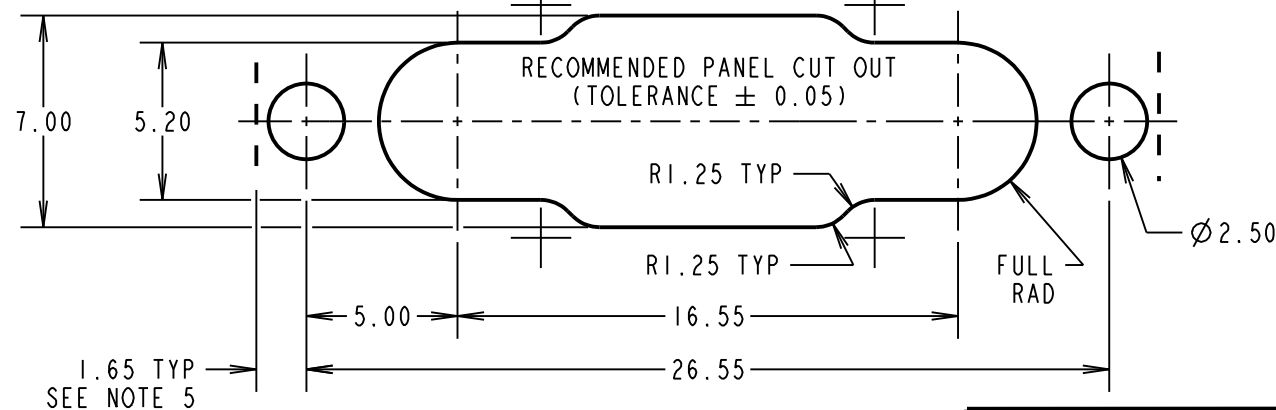
NOT TO SCALE

THIRD ANGLE PROJECTION

ALL DIMENSIONS IN mm



PATENTED TECHNOLOGY



NOTES:

1. PACK SIZE: 10 PER BAG.
2. HOUSING TO BE USED WITH G125-0010005 (FOR 26 AWG) AND G125-0020005 (FOR 28-32 AWG) FEMALE CRIMP CONTACTS, AND G125-0500005 (FOR 18 AWG) FEMALE POWER CONTACT.
3. FOR ASSEMBLY INSTRUCTIONS SEE INSTRUCTION SHEET IS-38.
4. FOR MATERIALS, FINISH AND SPECIFICATIONS SEE GECKO SERIES SPECIFICATION SUMMARY SHEET OR COMPONENT SPECIFICATION C125XX (LATEST ISSUE) FOR FULL SPECIFICATION.
5. CLEARANCE REQUIRED BEHIND PANEL FOR HARDWARE.
6. RECOMMENDED HEX SCREW FOR MOUNTING ON PANELS UP TO 3mm MAX THICKNESS: G125-4520000B.

RTP	2	17.06.21	30588
NAME	ISS.	DATE	CN/CO
APPROVED: R.PORTLOCK			
CHECKED: R.ALEXANDER			
DRAWN: R.ALEXANDER			
CUSTOMER REF.:			
ASSEMBLY DRG:			

HARWIN

www.harwin.com
technical@harwin.com

THIS DRAWING AND ANY INFORMATION OR DESCRIPTIVE MATTER SET OUT HEREON ARE CONFIDENTIAL AND COPYRIGHT PROPERTY OF THE HARWIN GROUP AND MUST NOT BE DISCLOSED, LOANED, COPIED OR USED FOR MANUFACTURING, TENDERING OR FOR ANY OTHER PURPOSE WITHOUT THEIR WRITTEN PERMISSION.

TOLERANCES
X. = ±1mm
X.X = ±0.50mm
X.XX = ±0.20mm
X.XXX = ±0.01mm
ANGLES = ±5°
UNLESS STATED

MATERIAL:
SEE ABOVE
FINISH: SEE ABOVE
S/AREA: mm²

TITLE:GECKO-MT SERIES FEMALE CABLE HOUSING WITH REAR PANEL MOUNT HARDWARE
DRAWING NUMBER:
G125-22496F5-01-08-01 SHT 3 OF 3