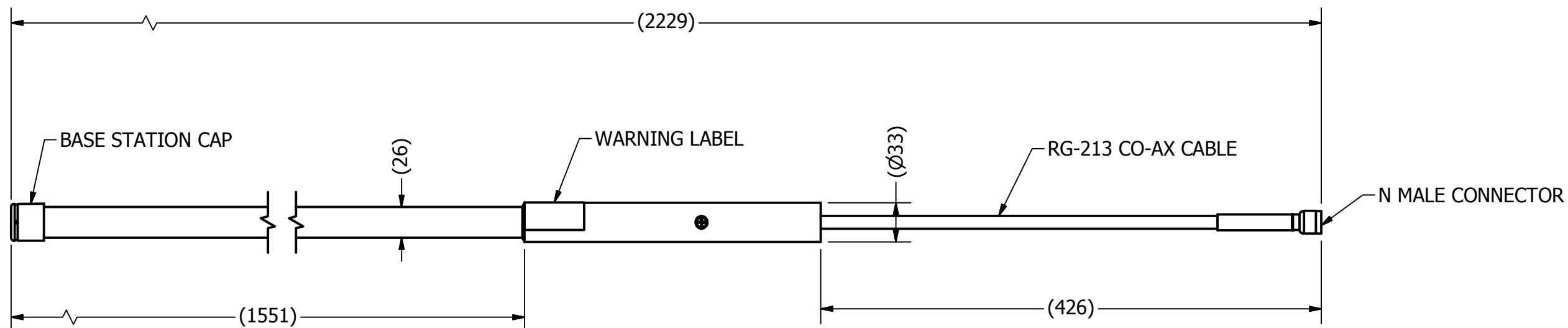

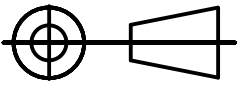


NOTES: UNLESS OTHERWISE SPECIFIED

- 1. A (REF) DIMENSION IS FOR INFORMATION PURPOSES ONLY AND NO TOLERANCE IS IMPLIED.
- 2. ELECTRICAL SPECIFICATIONS:
FREQUENCY RANGE: 150-156 MHz
VSWR: < 1.5:1
AVERAGE POWER: 250 WATTS
- 3. INCLUDES MFB INSTRUCTION SHEET

REVISION HISTORY			
REV	DESCRIPTION	DATE	APPROVED
F1	OUTLINE DIMENSIONAL DRAWING RELEASED	7/12/2017	CV



SUPPLIER PRINT ACCEPTANCE: <input type="checkbox"/> Accept drawing/specification: No changes needed: <input type="checkbox"/> This part is RoHS compliant <input type="checkbox"/> This part is REACH compliant <input type="checkbox"/> Accept drawing/specification. Notes/Mark-ups added <input type="checkbox"/> Cannot accept drawing/spec. Notes/Mark-ups added Supplier Projected Outgoing Quality: SIGMA LEVEL : _____ or PPM: _____ Signature _____ Date: _____	UNLESS OTHERWISE SPECIFIED DIMENSIONS ARE IN MILLIMETERS FOR TOLERANCES NOT SPECIFIED USE: [X mm ± 3 mm] [X.X mm ± .3 mm] [X.XX mm ± .13 mm] ANGULAR± 1°	DRAWN: CV DATE: 7/12/2017 CHECKED: DATE:	 PCTEL, INC. 471 BRIGHTON DRIVE BLOOMINGDALE, IL 60108 PH. 630-372-6800 FAX. 630-372-8077
	THIRD ANGLE PROJECTION 	MATERIAL: SEE COMPONENT PRINTS FINISH: SEE COMPONENT PRINTS	
PCTEL PROPRIETARY DATA THE INFORMATION AND/OR DRAWINGS CONTAINED IN THIS DOCUMENT IS CONFIDENTIAL AND PROPRIETARY TO PCTEL, INC. AND MAY NOT BE USED, REPRODUCED, IN WHOLE OR IN PART, OR MODIFIED IN ANY WAY WITHOUT THE EXPRESS WRITTEN PERMISSION OF AN AUTHORIZED REPRESENTATIVE OF PCTEL, INC.		DRAWING NO. ODB_MFB1500	
		SIZE: B SCALE: 1:1 SHEET: 1 OF 1	

4

3

2

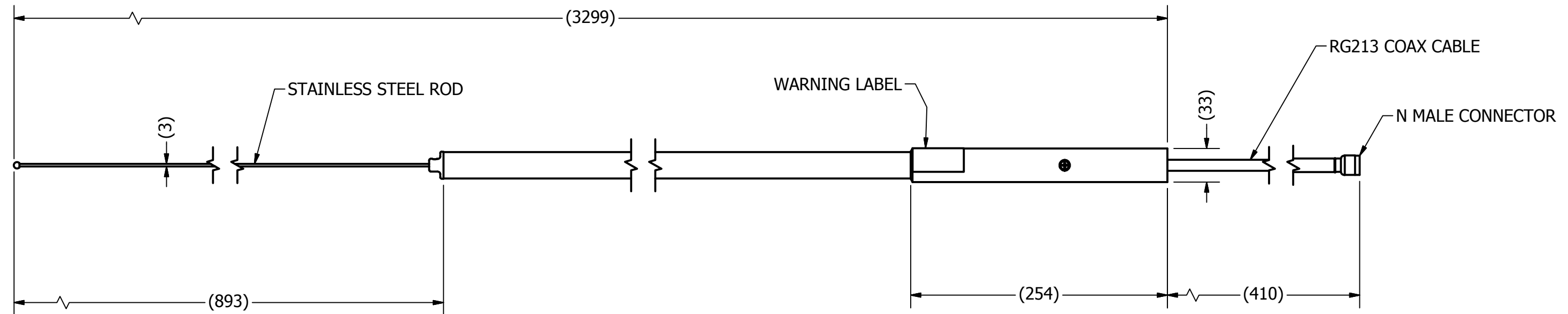
1


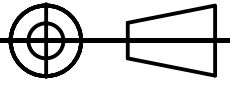
REVISION HISTORY

REV	DESCRIPTION	DATE	APPROVED
J	OUTLINE DIMENSIONAL DRAWING RELEASED	12JUL17	CV

NOTES:UNLESS OTHERWISE SPECIFIED

- 1. ELECTRICAL SPECIFICATIONS:
 FREQUENCY RANGE: 150-156 MHz
 VSWR: < 1.5:1
 AVERAGE POWER: 250 WATTS
- 2. INCLUDES MFB SERIES INSTALLATION INSTRUCTIONS.
- 3. DIMENSIONS IN PARENTHESIS ARE FOR REFERENCE ONLY AND NO TOLERANCE IS IMPLIED.



SUPPLIER PRINT ACCEPTANCE: <input type="checkbox"/> Accept drawing/specification: No changes needed: <input type="checkbox"/> This part is RoHS compliant <input type="checkbox"/> This part is REACH compliant <input type="checkbox"/> Accept drawing/specification. Notes/Mark-ups added <input type="checkbox"/> Cannot accept drawing/spec. Notes/Mark-ups added Supplier Projected Outgoing Quality: SIGMA LEVEL : _____ or PPM: _____ Signature _____ Date: _____	UNLESS OTHERWISE SPECIFIED DIMENSIONS ARE IN MILLIMETERS FOR TOLERANCES NOT SPECIFIED USE: [X mm ± 3 mm] [X.X mm ± .3 mm] [X.XX mm ± .13 mm] ANGULAR± 1°	DRAWN CV DATE 7/12/2017 CHECKED _____ DATE _____	 PCTEL, INC. 471 BRIGHTON DRIVE BLOOMINGDALE, IL 60108 PH. 630-372-6800 FAX. 630-372-8077	
	THIRD ANGLE PROJECTION 	MATERIAL: SEE COMP. PRINTS FINISH: SEE COMP. PRINTS		DESCRIPTION 150-156 MHz, 3dB, FIBERGLASS BASE
	PCTEL PROPRIETARY DATA THE INFORMATION AND/OR DRAWINGS CONTAINED IN THIS DOCUMENT IS CONFIDENTIAL AND PROPRIETARY TO PCTEL, INC. AND MAY NOT BE USED, REPRODUCED, IN WHOLE OR IN PART, OR MODIFIED IN ANY WAY WITHOUT THE EXPRESS WRITTEN PERMISSION OF AN AUTHORIZED REPRESENTATIVE OF PCTEL, INC.			DRAWING NO. ODD_MFB1503
	SIZE B SCALE 1:1 SHEET 1 OF 1			

4

3

2

1

4

3

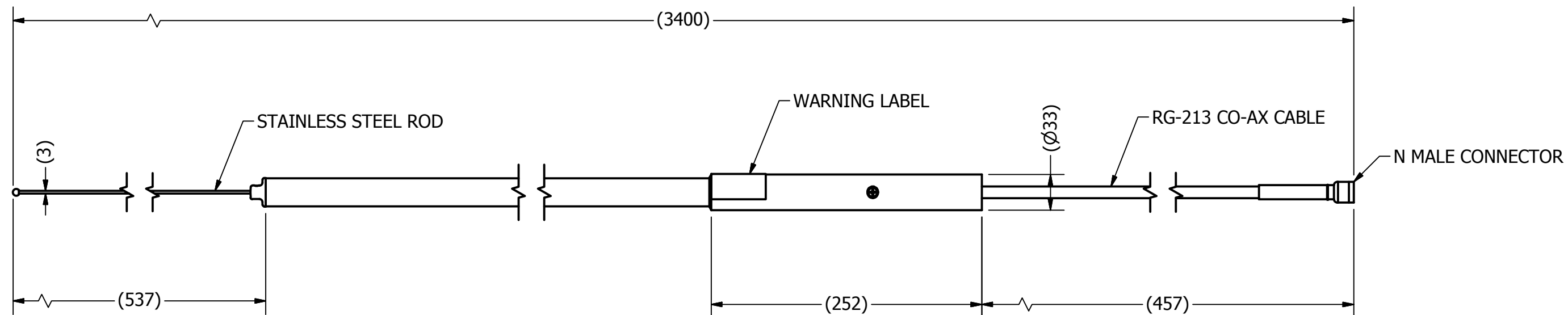
2

1

REVISION HISTORY			
REV	DESCRIPTION	DATE	APPROVED
I1	OUTLINE DIMENSIONAL DRAWING RELEASED	7/12/2017	CV

NOTES: UNLESS OTHERWISE SPECIFIED

- 1. A (REF) DIMENSION IS FOR INFORMATION PURPOSES ONLY AND NO TOLERANCE IS IMPLIED.
- 2. INCLUDES MFB INSTRUCTION SHEET
- 3. ELECTRONIC SPECIFICATIONS:
 FREQUENCY RANGE: 156-162 MHz
 VSWR: < 1.5:1
 AVERAGE POWER: 250 WATTS



SUPPLIER PRINT ACCEPTANCE: <input type="checkbox"/> Accept drawing/specification: No changes needed: <input type="checkbox"/> This part is RoHS compliant <input type="checkbox"/> This part is REACH compliant <input type="checkbox"/> Accept drawing/specification. Notes/Mark-ups added <input type="checkbox"/> Cannot accept drawing/spec. Notes/Mark-ups added Supplier Projected Outgoing Quality: SIGMA LEVEL : _____ or PPM: _____ Signature _____ Date: _____	UNLESS OTHERWISE SPECIFIED DIMENSIONS ARE IN MILLIMETERS FOR TOLERANCES NOT SPECIFIED USE: [X mm ± 3 mm] [X.X mm ± .3 mm] [X.XX mm ± .13 mm] ANGULAR ± 1°	DRAWN: CV DATE: 7/12/2017 CHECKED: DATE:	PCTEL PCTEL, INC. 471 BRIGHTON DRIVE BLOOMINGDALE, IL 60108 PH. 630-372-6800 FAX. 630-372-8077
	THIRD ANGLE PROJECTION 	MATERIAL: SEE COMPONENT PRINTS FINISH: SEE COMPONENT PRINTS	
PCTEL PROPRIETARY DATA THE INFORMATION AND/OR DRAWINGS CONTAINED IN THIS DOCUMENT IS CONFIDENTIAL AND PROPRIETARY TO PCTEL, INC. AND MAY NOT BE USED, REPRODUCED, IN WHOLE OR IN PART, OR MODIFIED IN ANY WAY WITHOUT THE EXPRESS WRITTEN PERMISSION OF AN AUTHORIZED REPRESENTATIVE OF PCTEL, INC.			DRAWING NO. ODD_MFB1563
SIZE B SCALE 1:1 SHEET 1 OF 1			

4

3

2

1

4

3

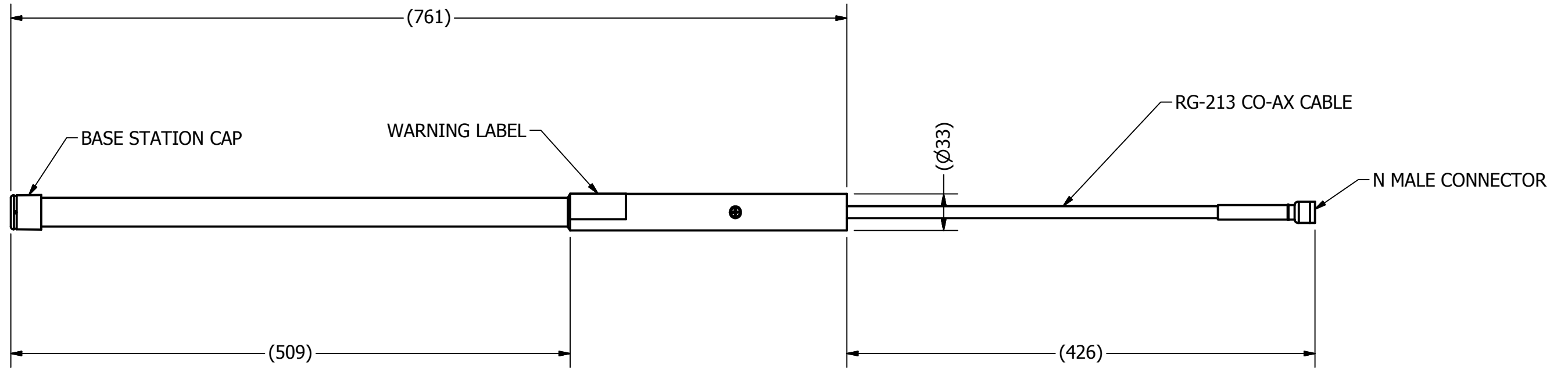
2

1

NOTES: UNLESS OTHERWISE SPECIFIED

- 1. A (REF) DIMENSION IS FOR INFORMATION PURPOSES ONLY AND NO TOLERANCE IS IMPLIED.
- 2. INCLUDES MFG INSTRUCTION SHEET
- 3. ELECTRICAL SPECIFICATIONS:
 FREQUENCY RANGE: 450-460 MHz
 VSWR: < 1.5:1
 AVERAGE POWER: 250 WATTS

REVISION HISTORY			
REV	DESCRIPTION	DATE	APPROVED
H	OUTLINE DIMENSIONAL DRAWING RELEASED	7/12/2017	CV



SUPPLIER PRINT ACCEPTANCE: <input type="checkbox"/> Accept drawing/specification: No changes needed: <input type="checkbox"/> This part is RoHS compliant <input type="checkbox"/> This part is REACH compliant <input type="checkbox"/> Accept drawing/specification. Notes/Mark-ups added <input type="checkbox"/> Cannot accept drawing/spec. Notes/Mark-ups added Supplier Projected Outgoing Quality: SIGMA LEVEL : _____ or PPM: _____ Signature _____ Date: _____		UNLESS OTHERWISE SPECIFIED DIMENSIONS ARE IN MILLIMETERS FOR TOLERANCES NOT SPECIFIED USE: [X mm ± 3 mm] [X.X mm ± .3 mm] [X.XX mm ± .13 mm] ANGULAR± 1° THIRD ANGLE PROJECTION 		DRAWN CV DATE 7/12/2017 CHECKED _____ DATE _____ MATERIAL: SEE COMPONENT PRINTS FINISH: SEE COMPONENT PRINTS		PCTEL, INC. 471 BRIGHTON DRIVE BLOOMINGDALE, IL 60108 PH. 630-372-6800 FAX. 630-372-8077	
				DESCRIPTION 450-460 MHz, UNITY, FIBERGLASS BASE		DRAWING NO. ODD_MFB4500	
		THE INFORMATION AND/OR DRAWINGS CONTAINED IN THIS DOCUMENT IS CONFIDENTIAL AND PROPRIETARY TO PCTEL, INC. AND MAY NOT BE USED, REPRODUCED, IN WHOLE OR IN PART, OR MODIFIED IN ANY WAY WITHOUT THE EXPRESS WRITTEN PERMISSION OF AN AUTHORIZED REPRESENTATIVE OF PCTEL, INC.		SIZE B SCALE 1:1 SHEET 1 OF 1			

4

3

2

1

4

3

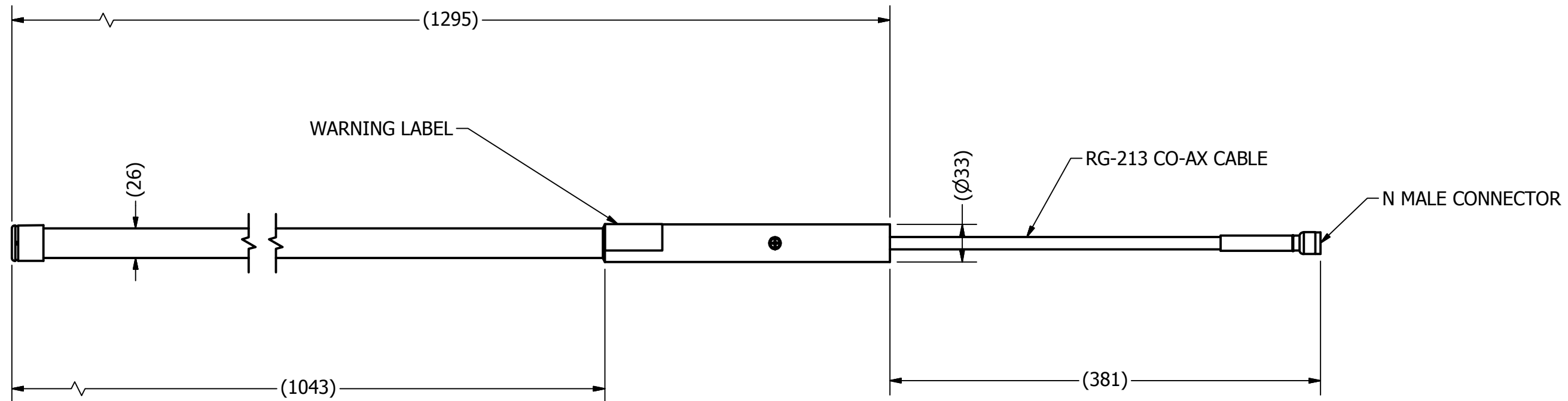
2


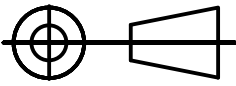
1

REVISION HISTORY			
REV	DESCRIPTION	DATE	APPROVED
I	OUTLINE DIMENSIONAL DRAWING	7/12/2017	CV

NOTES: UNLESS OTHERWISE SPECIFIED

- 1. A (REF) DIMENSION IS FOR INFORMATION PURPOSES ONLY AND NO TOLERANCE IS IMPLIED.
- 2. INCLUDES MFB INSTRUCTION SHEET
- 3. ELECTRONIC SPECIFICATIONS:
 FREQUENCY RANGE: 450 - 460 MHz
 VSWR: < 1.5:1
 AVERAGE POWER: 250 WATTS



SUPPLIER PRINT ACCEPTANCE: <input type="checkbox"/> Accept drawing/specification: No changes needed: <input type="checkbox"/> This part is RoHS compliant <input type="checkbox"/> This part is REACH compliant <input type="checkbox"/> Accept drawing/specification. Notes/Mark-ups added <input type="checkbox"/> Cannot accept drawing/spec. Notes/Mark-ups added Supplier Projected Outgoing Quality: SIGMA LEVEL : _____ or PPM: _____ Signature _____ Date: _____	UNLESS OTHERWISE SPECIFIED DIMENSIONS ARE IN MILLIMETERS FOR TOLERANCES NOT SPECIFIED USE: [X mm ± 3 mm] [X.X mm ± .3 mm] [X.XX mm ± .13 mm] ANGULAR± 1°	DRAWN CV DATE 7/12/2017 CHECKED _____ DATE _____ MATERIAL: SEE COMPONENT PRINTS FINISH: SEE COMPONENT PRINTS	 PCTEL, INC. 471 BRIGHTON DRIVE BLOOMINGDALE, IL 60108 PH. 630-372-6800 FAX. 630-372-8077
	THIRD ANGLE PROJECTION 	PCTEL PROPRIETARY DATA THE INFORMATION AND/OR DRAWINGS CONTAINED IN THIS DOCUMENT IS CONFIDENTIAL AND PROPRIETARY TO PCTEL, INC. AND MAY NOT BE USED, REPRODUCED, IN WHOLE OR IN PART, OR MODIFIED IN ANY WAY WITHOUT THE EXPRESS WRITTEN PERMISSION OF AN AUTHORIZED REPRESENTATIVE OF PCTEL, INC.	

4

3

2

1

4

3

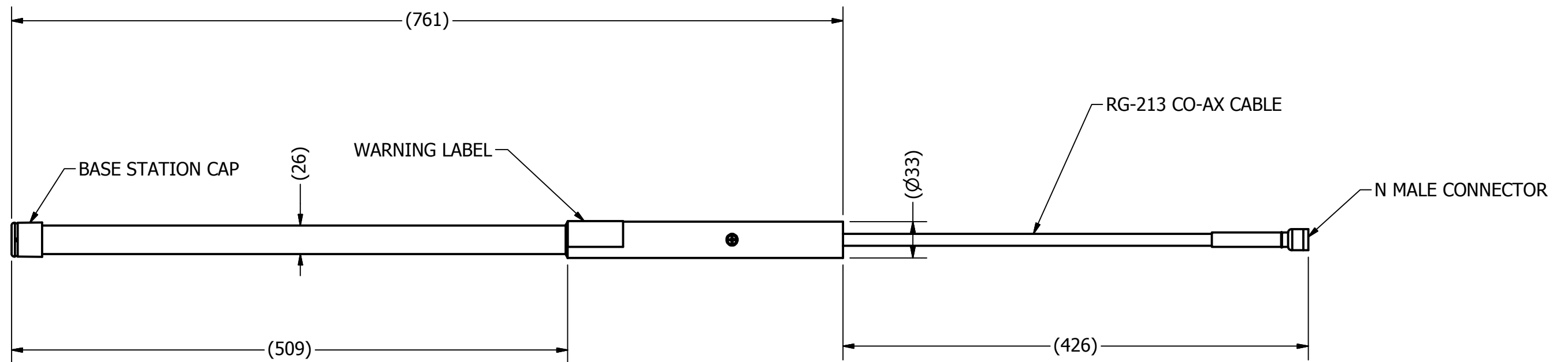
2


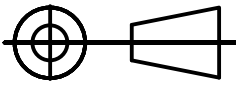
1

REVISION HISTORY			
REV	DESCRIPTION	DATE	APPROVED
G	OUTLINE DIMENSIONAL DRAWING RELEASED	7/12/2017	CV

NOTES: UNLESS OTHERWISE SPECIFIED

- 1. A (REF) DIMENSION IS FOR INFORMATION PURPOSES ONLY AND NO TOLERANCE IS IMPLIED.
- 2. INCLUDES MFB INSTRUCTION SHEET.
- 3. ELECTRONIC SPECIFICATIONS:
 FREQUENCY RANGE: 460 - 470 MHz
 VSWR: < 1.5:1
 AVERAGE POWER: 250 WATTS



SUPPLIER PRINT ACCEPTANCE: <input type="checkbox"/> Accept drawing/specification: No changes needed: <input type="checkbox"/> This part is RoHS compliant <input type="checkbox"/> This part is REACH compliant <input type="checkbox"/> Accept drawing/specification. Notes/Mark-ups added <input type="checkbox"/> Cannot accept drawing/spec. Notes/Mark-ups added Supplier Projected Outgoing Quality: SIGMA LEVEL : _____ or PPM: _____ Signature _____ Date: _____	UNLESS OTHERWISE SPECIFIED DIMENSIONS ARE IN MILLIMETERS FOR TOLERANCES NOT SPECIFIED USE: [X mm ± 3 mm] [X.X mm ± .3 mm] [X.XX mm ± .13 mm] ANGULAR ± 1°	DRAWN CV DATE 7/12/2017 CHECKED _____ DATE _____ MATERIAL: SEE COMPONENT PRINTS FINISH: SEE COMPONENT PRINTS	 PCTEL, INC. 471 BRIGHTON DRIVE BLOOMINGDALE, IL 60108 PH. 630-372-6800 FAX. 630-372-8077
	THIRD ANGLE PROJECTION 	PCTEL PROPRIETARY DATA THE INFORMATION AND/OR DRAWINGS CONTAINED IN THIS DOCUMENT IS CONFIDENTIAL AND PROPRIETARY TO PCTEL, INC. AND MAY NOT BE USED, REPRODUCED, IN WHOLE OR IN PART, OR MODIFIED IN ANY WAY WITHOUT THE EXPRESS WRITTEN PERMISSION OF AN AUTHORIZED REPRESENTATIVE OF PCTEL, INC.	

4

3

4

2

1

4

3

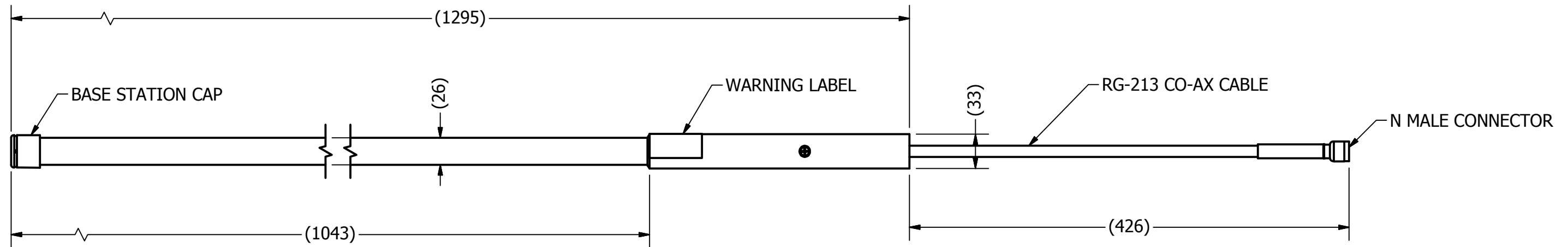
2


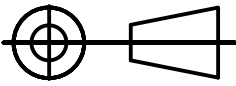
1

NOTES: UNLESS OTHERWISE SPECIFIED

- 1. A (REF) DIMENSION IS FOR INFORMATION PURPOSES ONLY AND NO TOLERANCE IS IMPLIED.
- 2. INCLUDES MFB INSTRUCTION SHEET
- 3. ELECTRONIC SPECIFICATIONS:
 FREQUENCY RANGE: 460 - 470 MHz
 VSWR: < 1.5:1
 AVERAGE POWER: 250 WATTS

REVISION HISTORY			
REV	DESCRIPTION	DATE	APPROVED
J	OUTLINE DIMENSIONAL DRAWING	7/13/2017	CV



SUPPLIER PRINT ACCEPTANCE: <input type="checkbox"/> Accept drawing/specification: No changes needed: <input type="checkbox"/> This part is RoHS compliant <input type="checkbox"/> This part is REACH compliant <input type="checkbox"/> Accept drawing/specification. Notes/Mark-ups added <input type="checkbox"/> Cannot accept drawing/spec. Notes/Mark-ups added Supplier Projected Outgoing Quality: SIGMA LEVEL : _____ or PPM: _____ Signature _____ Date: _____	UNLESS OTHERWISE SPECIFIED DIMENSIONS ARE IN MILLIMETERS FOR TOLERANCES NOT SPECIFIED USE: [X mm ± 3 mm] [X.X mm ± .3 mm] [X.XX mm ± .13 mm] ANGULAR ± 1°	DRAWN CV DATE 7/13/2017 CHECKED _____ DATE _____	 PCTEL, INC. 471 BRIGHTON DRIVE BLOOMINGDALE, IL 60108 PH. 630-372-6800 FAX. 630-372-8077
	THIRD ANGLE PROJECTION 	MATERIAL: SEE COMPONENT PRINTS FINISH: SEE COMPONENT PRINTS	
PCTEL PROPRIETARY DATA THE INFORMATION AND/OR DRAWINGS CONTAINED IN THIS DOCUMENT IS CONFIDENTIAL AND PROPRIETARY TO PCTEL, INC. AND MAY NOT BE USED, REPRODUCED, IN WHOLE OR IN PART, OR MODIFIED IN ANY WAY WITHOUT THE EXPRESS WRITTEN PERMISSION OF AN AUTHORIZED REPRESENTATIVE OF PCTEL, INC.			DRAWING NO. ODD_MFB4603 SIZE B SCALE 1:1 SHEET 1 OF 1

4

3

4

2

1