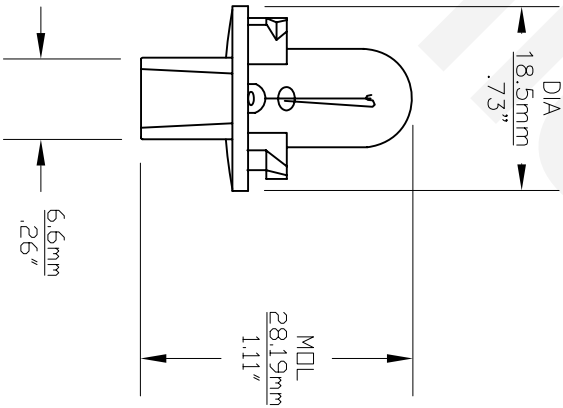
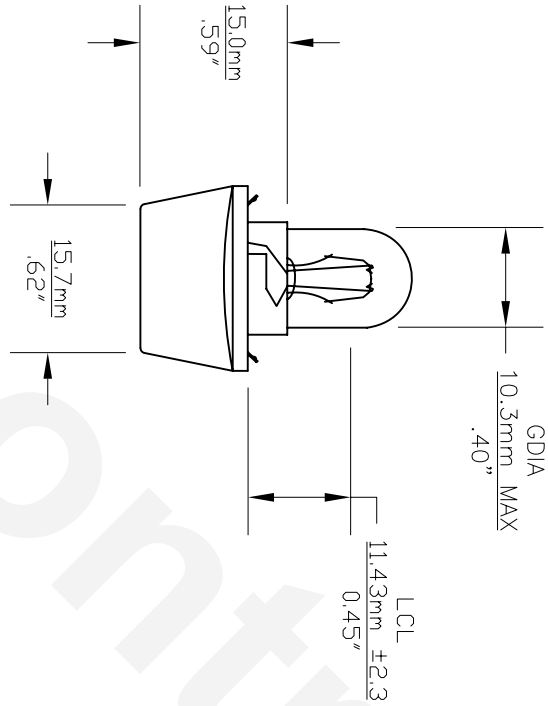


PART NO.	BASE TYPE	DESIGN VOLTS	DESIGN AMPS	MSCD	FLAMENT TYPE	AVERAGE LIFE HOURS
PC161	PRINTED CIRCUIT SOCKET	14	0.19 ±10%	1 ±20%	C-2F	4000



REVISIONS			
REV	DESCRIPTION	DATE	APPROVED
1	ISSUED	10/28/2008	D.C.

UNLESS OTHERWISE SPECIFIED: DIMENSIONS ARE IN INCHES TOLERANCES		DECIMALS .05		ANGULAR ± 0.5	
XXX ± .010		FRACTIONAL		± 1/64	
DRAWN	DATE	10/28/2008			
D. C.					
CHECKED					
DESIGN					
MATERIAL					
FILE		PC161.dwg	DO NOT SCALE DRAWING		
TITLE		CEC INDUSTRIES LTD 599 BOND STREET LINCOLNSHIRE, IL 60069			
SIZE		FSCM NO.	DWG NO.	REV	
A			PC161	1	
SCALE		PLOT SCALE	SHEET	1	OF 1