

■ Features

- Single output from 50-65W
- 100-240Vac Universal input
- Frequency: 50-60Hz
- OCP, and SCP
- Efficiency level: VI
- Interchangeable Plug types: US, EU, AU, UK, CN, JP plug
- Class I construction
- No load power consumption <0.15W



\*Product images are for illustrative purposes only and may vary from actual design.

■ Application

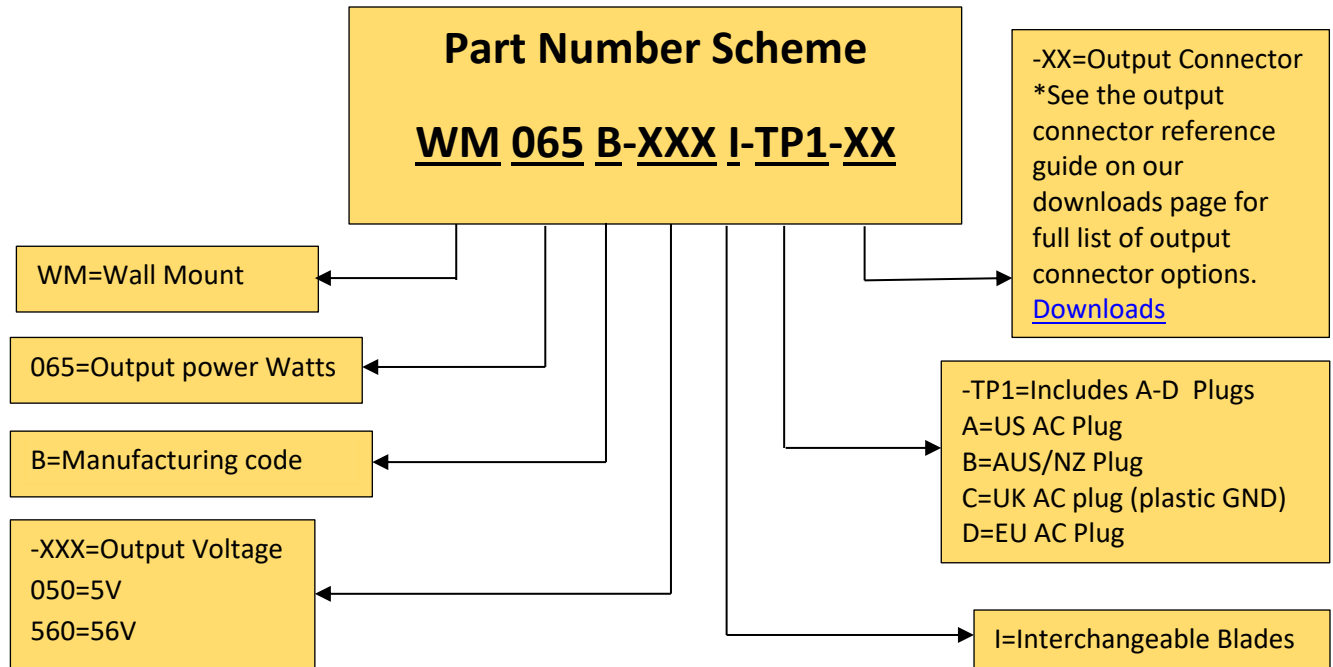
- Consumer electronics, Telecom and office equipment
- Industrial equipment

■ Model List

Custom Designs Available!

Model	Output Voltage	Output Current	Power
WM065B-050I-TP1-XX	5V	10A	50W
WM065B-090I-TP1-XX	9V	7.2A	65W
WM065B-120I-TP1-XX	12V	5.4A	65W
WM065B-150I-TP1-XX	15V	4.3A	65W
WM065B-180I-TP1-XX	18V	3.6A	65W
WM065B-240I-TP1-XX	24V	2.7A	65W
WM065B-360I-TP1-XX	36V	1.8A	65W
WM065B-480I-TP1-XX	48V	1.35A	65W
WM065B-560I-TP1-XX	56V	1.1A	65W





\*Product images are for illustrative purposes only and may vary from actual design.

\*Specifications are subject to change without notice. Autec is not responsible for issues arising from errors or omissions.