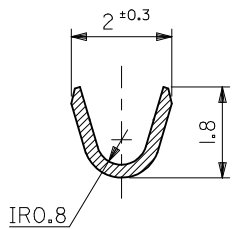
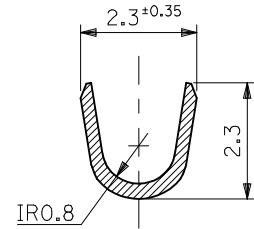


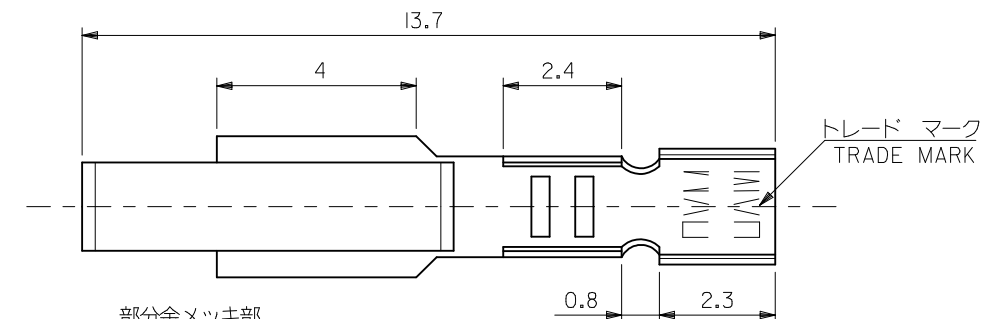
10 9 8 7 6 5 4 3 2 1



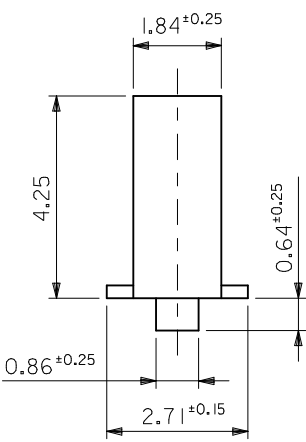
SECT.A-A



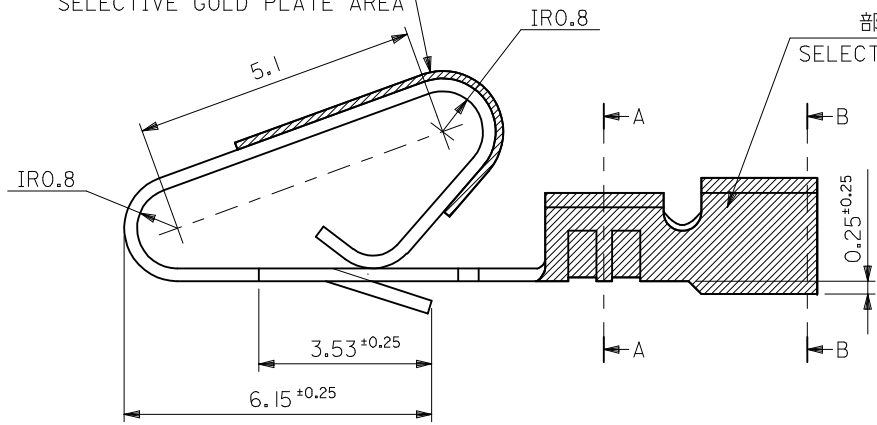
SECT.B-B



トレード マーク
TRADE MARK



部分金メッキ部
SELECTIVE GOLD PLATE AREA



部分錫メッキ部 (両面)
SELECTIVE TIN PLATE AREA
(BOTH SIDE)

注記 NOTES :
1. 一般公差 : ±0.4
GENERAL TOLERANCES: ±0.4

ニッケル下地 2 μmMIN. 金 0.35 μmMIN. GOLD 0.35 μmMIN. OVER NICKEL 2 μmMIN.	39-00-0357	2578PBGL	バラ状 LOOSE
	39-00-0356	2578PBG	チェーン状 CHAIN
全面ニッケル (下地) 1 μmMIN. 部分金メッキ 0.35 μmMIN. 部分錫メッキ 1 μmMIN. GOLD 0.35 μmMIN. IN CONTACT AREA AND TIN 1 μmMIN. IN CRIMP AREA OVER NICKEL 1 μmMIN.	39-00-0355	2578GSL	バラ状 LOOSE
	39-00-0354	2578GS	チェーン状 CHAIN
メッキ PLATING	EDP NO.	ENG.NO.	形状 FORM

材料 MATERIAL 黄銅 BRASS t = 0.254
適用電線範囲 WIRE RANGE AWG#22 ~ #28
被覆外径 INS. RANGE ∅ 1.2 ~ 1.7

ENTER DESCRIPTION
EC NO: J2009-19/41
DRWN: YA0YAGI 2009/02/16
CHKD: THARUYAMA 2009/02/17
APPR: NUK ITA 2009/02/17
REV B

GENERAL TOLERANCES (UNLESS SPECIFIED)
10 UNDER ± ---
10 OVER 30 UNDER ± ---
30 OVER ± ---
ANGULAR ±1 °
DRAFT WHERE APPLICABLE MUST REMAIN WITHIN DIMENSIONS

DIMENSION STYLE MM ONLY
DRAWN BY DATE H. HASEGAWA 1993/04/23
CHECKED BY DATE H. HIRAMOTO 1993/04/26
APPROVED BY DATE M. FUKUSHIMA 1993/04/26
MATERIAL NO.
SIZE A3

SCALE 10:1	DESIGN UNITS METRIC	THIRD ANGLE PROJECTION
TITLE STD KK CRIMP REC.TERM		
MOLEX INCORPORATED		
DOCUMENT NO. ENTER PART	SHEET NO. SD-2578-001	
THIS DRAWING CONTAINS INFORMATION THAT IS PROPRIETARY TO MOLEX INCORPORATED AND SHOULD NOT BE USED WITHOUT WRITTEN PERMISSION		