

DETAIL 1

NOTES:

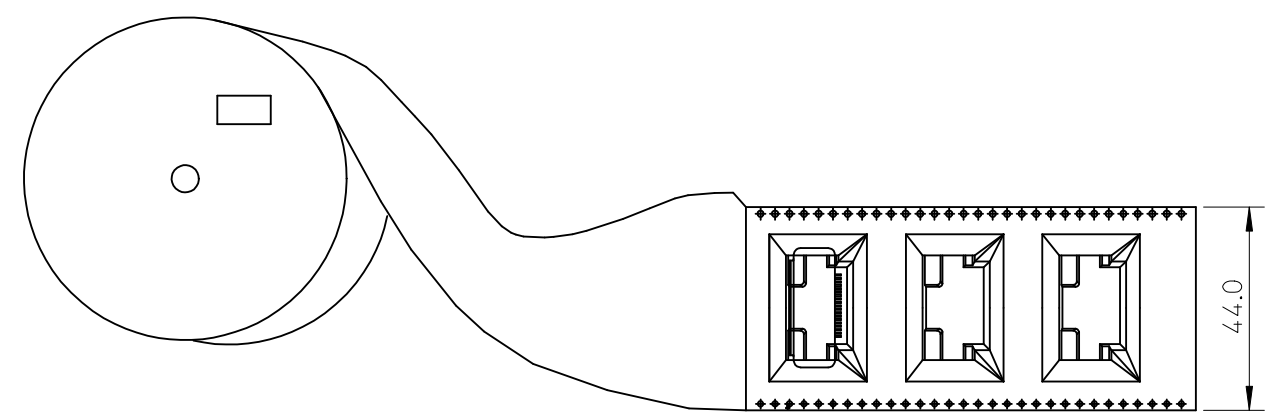
1. 10 SPROCKET HOLE PITCH CUMULATIVE TOLERANCE: ± 0.20 mm.
2. CARRIER CAMBER NOT TO EXCEED 1mm IN 100mm.
- 3 THE TWO DIMENSIONS ARE MEASURED ON A PLANE 0.3mm ABOVE THE BOTTOM OF THE POCKET.
- 4 THE DIMENSION IS MEASURED FROM A PLANE ON THE INSIDE BOTTOM OF THE POCKET TO TOP SURFACE OF THE CARRIER.
- 5 THE DIMENSION "T" IS GREATER THAN 0.10mm.
6. ALL SCOPE MEET EIA-481-C REQUIREMENTS.
7. MATERIAL: BLACK ANTI-STATIC POLYSTYRENE.
8. THICKNESS: 0.50 ± 0.05 mm.
9. PACKING LENGTH PER 13" REEL: 5 METERS.
10. COMPONENT LOAD PER 13" REEL: 200PCS.
11. APPLICATION P/N: 47659-100X.

ADD ANTI-WATER POLYBAG	QUALITY SYMBOLS
EC NO: SH2012-0049	$F_A = 0$
DRWN: XQZHANG	$F_C = 0$
CHKD: GLLI	$F_P = 0$
APPR: XJSONG	
REV	DESCRIPTION
B	

GENERAL TOLERANCES (UNLESS SPECIFIED)	
	mm
4 PLACES	± 0.10
3 PLACES	± 0.15
2 PLACES	± 0.20
1 PLACE	± 0.30
ANGULAR $\pm 1^\circ$	
DRAFT WHERE APPLICABLE MUST REMAIN WITHIN DIMENSIONS	

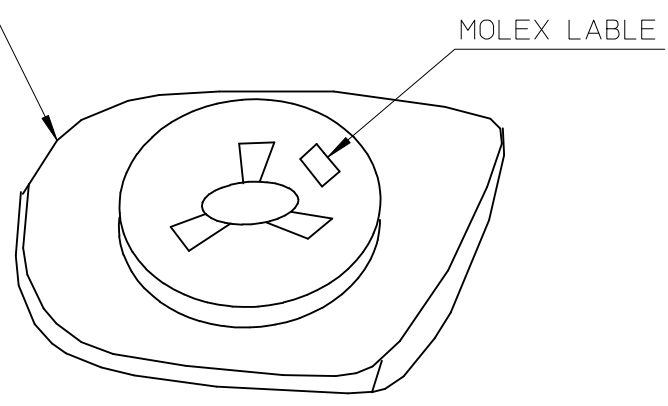
DIMENSION STYLE	
MM ONLY	
DRAWN BY	DATE
CWTANG	2008/11/24
CHECKED BY	DATE
XJSONG	2008/11/24
APPROVED BY	DATE
HARVEY	2008/11/24
MATERIAL NO.	
SEE NOTES	
SIZE	
A3	

SCALE	DESIGN UNITS	THIRD ANGLE PROJECTION
4:1	METRIC	
TITLE		
PACKAGE FOR HDMI RECEPTACLE VERTICAL SMT TYPE WIHT HEIGHT 8.5		
MOLEX INCORPORATED		
DOCUMENT NO.	SHEET NO.	
PK-47659-001	1 OF 2	
THIS DRAWING CONTAINS INFORMATION THAT IS PROPRIETARY TO MOLEX INCORPORATED AND SHOULD NOT BE USED WITHOUT WRITTEN PERMISSION		

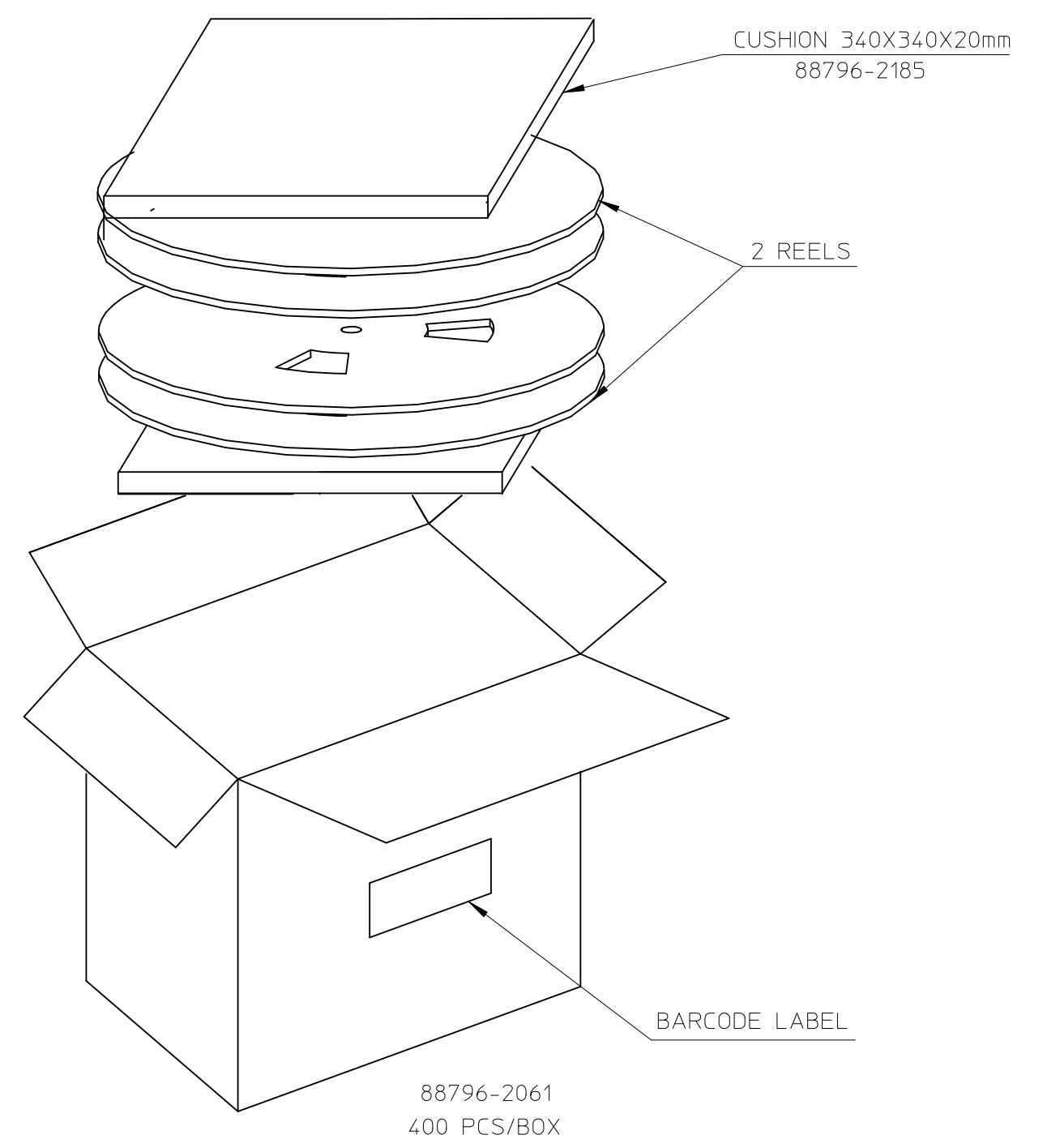


CARRIER AND CARDBOARD: 88796-2868

ANTI-WATER POLYBAG
88796-2470



200 PCS/REEL
COVER TAPE: 88796-2551



CUSHION 340X340X20mm
88796-2185

2 REELS

BARCODE LABEL

88796-2061
400 PCS/BOX

SEE SHEET 1 EC NO: SH2012-0049 DRWN:XQZHANG 2011/08/22 CHKD:GLLI 2011/08/25 APPR:XJSONG 2011/09/07	QUALITY SYMBOLS $F_A=0$ $F_C=0$ $F_P=0$	GENERAL TOLERANCES (UNLESS SPECIFIED)		DIMENSION STYLE MM ONLY	SCALE 4:1	DESIGN UNITS METRIC	THIRD ANGLE PROJECTION		
			mm	INCH	DRAWN BY CWTANG	DATE 2008/11/24	PACKAGE FOR HDMI RECEPTACLE VERTICAL SMT TYPE WIHT HEIGHT8.5		
		4 PLACES	± ---	± ---	CHECKED BY XJSONG	DATE 2008/11/24			
		3 PLACES	± ---	± ---	APPROVED BY HARVEY	DATE 2008/11/24	MOLEX INCORPORATED		
2 PLACES	± 0.20	± ---	MATERIAL NO. SEE SHEET 1		DOCUMENT NO. PK-47659-001	SHEET NO. 2 OF 2			
1 PLACE	± 0.30	± ---	DRAFT WHERE APPLICABLE MUST REMAIN WITHIN DIMENSIONS		THIS DRAWING CONTAINS INFORMATION THAT IS PROPRIETARY TO MOLEX INCORPORATED AND SHOULD NOT BE USED WITHOUT WRITTEN PERMISSION				
		ANGULAR ± 1 °							