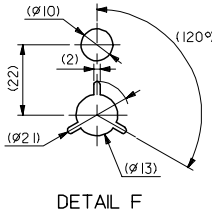
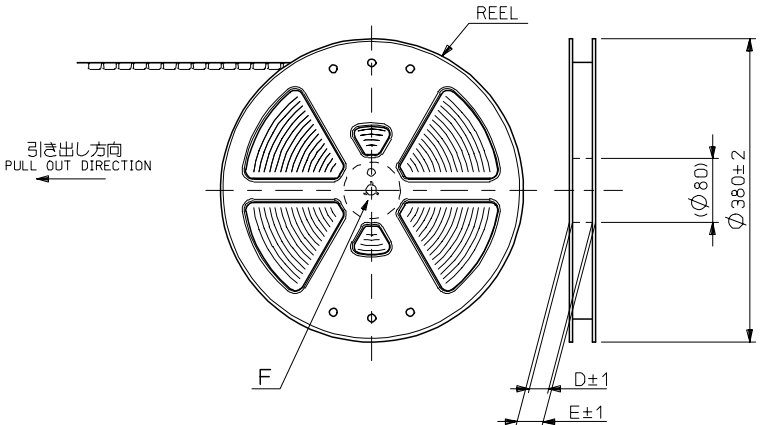


注記 NOTES:

1. 使用材料 MATERIAL
 ハウジング: LCPガラス入り (黒) ,UL94V-0
 HOUSING: LCP(G.F.)(COLOR :BLACK),
 UL94V-0
 ターミナル: リン青銅 (t=0.15)
 TERMINAL: PHOSPHOR BRONZE (t=0.15)
2. メッキ仕様 PLATING
 全体仕上げ: 金メッキ 0.1 MICROMETER MIN.
 ALL OVER : GOLD 0.1 MICROMETER MIN.
 下地メッキ: ニッケルメッキ 1.5 MICROMETER MIN.
 UNDER PLATING : NICKEL 1.5 MICROMETER MIN.
3. 基準面 [X] からのソルダーテールの半田付け面のズレ量は、上方向 0 下方向 0.15MAX. とする。
 MISALIGNMENT OF SOLDER TAIL FROM [X]
 : UPPER DIRECTION 0 , LOWER DIRECTION 0.15 MAX.
 △ (全極数/2) = 偶数の場合に適用。
 APPLY FOR (CIRCUIT/2)=EVEN.
- 5 嵌合相手: 53748 シリーズ, 53916 シリーズ, 501920 シリーズ
 MATE WITH : 53748 SERIES, 53916 SERIES, 501920 SERIES.
- 6 テール平坦度は、0.1MAX.
 TAIL COPLANARITY TO BE 0.1MAX.

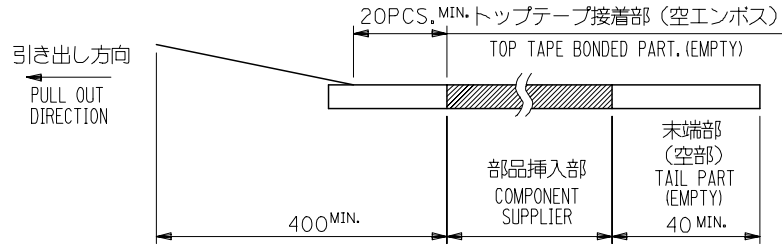
20.2	19.5	23.8	54167-0801	80
17.7	17.0	21.3	-0701	70
15.2	14.5	18.8	-0601	60
12.7	12.0	16.3	-0501	50
10.2	9.5	13.8	-0401	40
7.7	7.0	11.3	-0301	30
5.2	4.5	8.8	54167-0201	20
C	B	A	MATERIAL NO.	極数 CIRCUIT

54167***1		MODEL NO.	
GENERAL TOLERANCES (UNLESS SPECIFIED)		THIS DRAWING CONTAINS INFORMATION THAT IS PROPRIETARY TO MOLEX ELECTRONIC TECHNOLOGIES, LLC AND SHOULD NOT BE USED WITHOUT WRITTEN PERMISSION	
10 UNDER	± 0.2	DIMENSION UNITS	SCALE
10 OVER 30 UNDER	± 0.25	mm	8:1
30 OVER	± 0.3	CURRENT REV DESC: REVISED	
ANGULAR	± 3°	GENERAL TOLERANCES (UNLESS SPECIFIED)	
DRAFT WHERE APPLICABLE MUST REMAIN WITHIN DIMENSIONS		4 PLACES ± 0.2	EC NO: 614684
		3 PLACES ± 0.25	DRWN: ABABU01 2019/03/28
		2 PLACES ± 0.3	CHK'D: MSASAO 2019/03/29
		1 PLACE ±	APPR: MSASAO 2019/03/29
		0 PLACES ±	INITIAL REVISION:
		ANGULAR TOL ± 3.0°	DRWN:
		DRAFT WHERE APPLICABLE MUST REMAIN WITHIN DIMENSIONS	APPR:
		THIRD ANGLE PROJECTION	DRAWING
		A3-SIZE	SERIES
		54167	MATERIAL NUMBER
		GENERAL MARKET	CUSTOMER
		1 OF 1	SHEET NUMBER

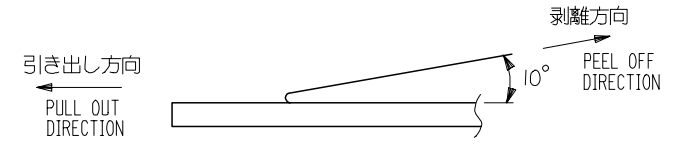


NOTES

- 製品詳細寸法については図面 SD-54167-001 を参照下さい。
RE DETAILED DIMENSION, SEE SD-54167-001
- 梱包数量：3000個/リール
NUMBER OF CONNECTORS : 3000PCS/REEL
- リードテープ長さ LEAD TAPE LENGTH



- トップテープの剥離強度：0.1N~1.3 (10gf~130gf) (剥離方向は下図参照)
尚、本規格値は出荷時に適用。(但し、輸送時に剥離が発生しないこと。)
PEELING OFF FORCE OF TOP TAPE : 0.1N~1.3 (10gf~130gf)
(PEELING DIRECTION AS SHOWN IN FOLLOWING FIG.)
THIS REQUIREMENT SHOULD BE APPLIED AT SHIPMENT.
PEEL OFF SHOULD NOT BE ALLOWED , DURING TRANSPORTATION.



- 材料(MATERIAL)
キャリアテープ(CARRIER TAPE) : ポリプロピレン(POLYPROPYLENE)
トップテープ(TOPTAPE) : PET , PE , PEF
リール(REEL) : ポリスチレン (PS) <リサイクル材を含む>
POLYSTYREN(PS) <RECYCLE MATERIAL CONTAINED>

54167***8 MODEL NO.

REVISED EC NO: J2006-0604 DRAWN BY: DR.W.NAIDA 2005/08/31 CHKD BY: TOYODA 2005/09/01 APPR: NUKITA 2005/09/09	GENERAL TOLERANCES (UNLESS SPECIFIED)		DIMENSION STYLE MM ONLY		SCALE ---	DESIGN UNIT'S METRIC	THIRD ANGLE PROJECTION	
	10 UNDER	±0.2	DRAWN BY S. AIHARA	DATE '96/11/25	TITLE 0.5 B/B CONN REC HSG ASSY EMBSTP PKG -LEAD FREE-			
	10 OVER 30 UNDER	±0.25	CHECKED BY T. ITO	DATE '00/12/06	MOLEX INCORPORATED			
	30 OVER	±0.3	APPROVED BY M. FUKUSHIMA	DATE '00/12/06	DOCUMENT NO. SD-54167-002			
	ANGULAR	±3 °	MATERIAL NO. SEE CHART		SHEET NO. 1 OF 6			
DRAFT WHERE APPLICABLE MUST REMAIN WITHIN DIMENSIONS		SIZE A3		THIS DRAWING CONTAINS INFORMATION THAT IS PROPRIETARY TO MOLEX INCORPORATED AND SHOULD NOT BE USED WITHOUT WRITTEN PERMISSION				

10 9 8 7 6 5 4 3 2 1

F

E

D

C

B

A

F

E

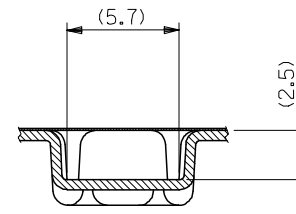
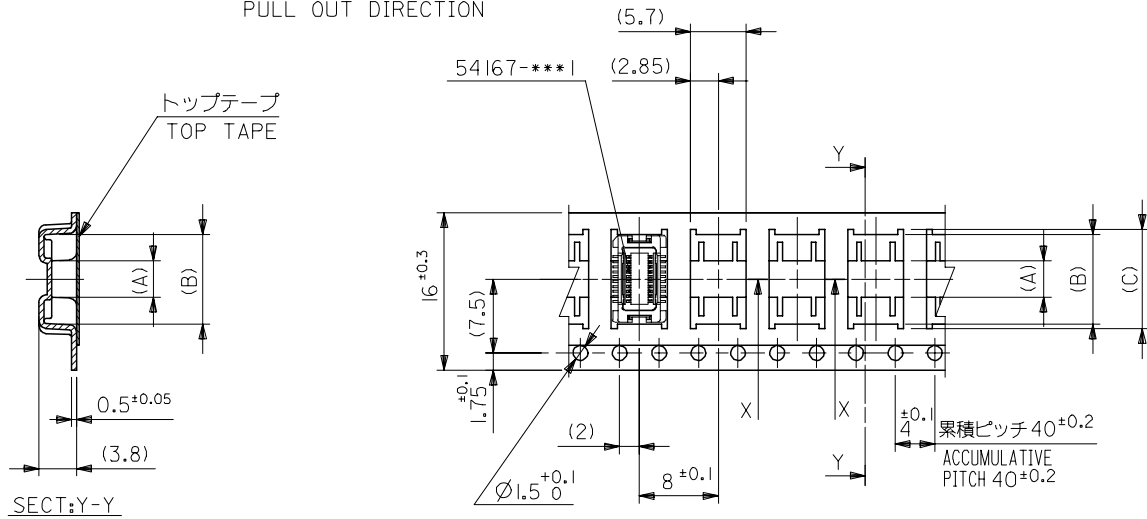
D

C

B

A

引き出し方向
PULL OUT DIRECTION



SECT:X-X

16mm幅キャリアテープ
16mm WIDTH CARRIER TAPE

REVISED		EC NO: J2006-0604		2005/08/31		2005/09/01		2005/09/09		54167***8		MODEL NO.		16		21.4		17.4		10.1		9.1		3.7		54167-0208		20	
DRAWN BY		DATE		TITLE		SCALE		DESIGN UNITS		THIRD ANGLE PROJECTION		CARRIER TAPE WIDTH		E		D		(C)		(B)		(A)		MATERIAL NO.		極数			
CHECKED BY		DATE		0.5 B/B CONN REC HSG		---		METRIC		◎ □		E		E		E		E		E		E		E		CIRCUIT			
APPROVED BY		DATE		ASSY EMBSTP PKG		---		---		---		S.AIHARA		'97/05/09		---		---		---		---		---		---			
MATERIAL NO.		DOCUMENT NO.		-LEAD FREE-		---		---		---		T.ITO		'00/12/06		---		---		---		---		---		---			
SIZE		SEE CHART		MOLEX INCORPORATED		---		---		---		M.FUKUSHIMA		'00/12/06		---		---		---		---		---		---			
DRAFT WHERE APPLICABLE		MUST REMAIN		SD-54167-002		---		---		---		---		---		---		---		---		---		---		---			
WITHIN DIMENSIONS		INCORPORATED AND SHOULD NOT BE USED WITHOUT WRITTEN PERMISSION		2 OF 6		---		---		---		---		---		---		---		---		---		---		---			

10 9 8 7 6 5 4 3 2 1

F

E

D

C

B

A

F

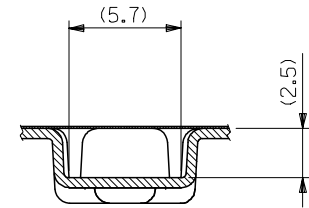
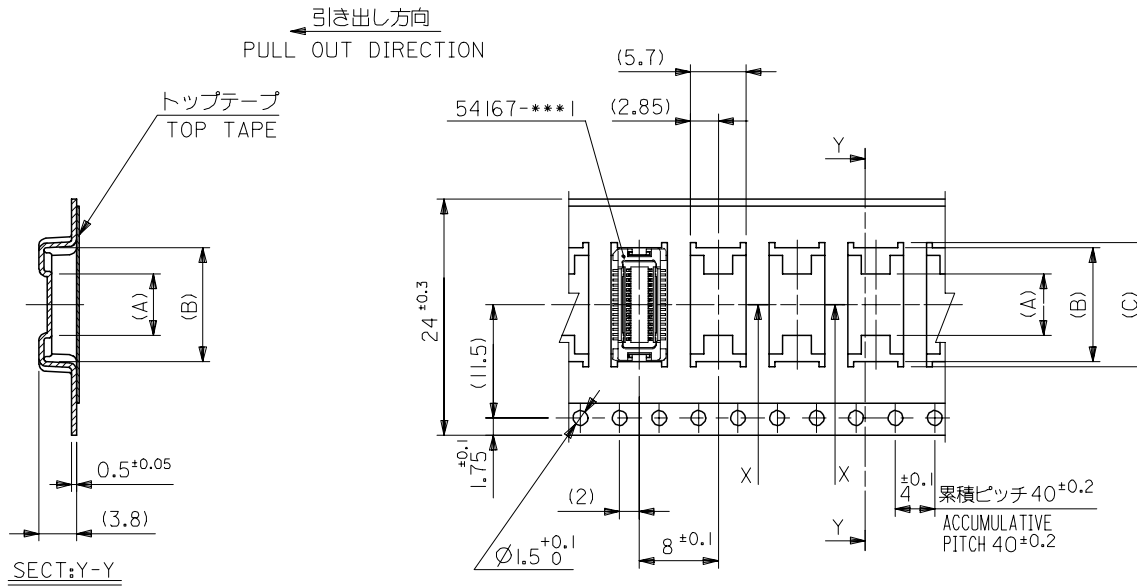
E

D

C

B

A



SECT:X-X

24mm幅キャリアテープ
24mm WIDTH CARRIER TAPE

24	29.4	25.4	15.1	14.1	7.4	54167-0408	40
			12.6	11.6	4.9	54167-0308	30
キャリアテープ幅 CARRIER TAPE WIDTH	E	D	(C)	(B)	(A)	MATERIAL NO.	極数 CIRCUIT

REVISED	DESCRIPTION	GENERAL TOLERANCES (UNLESS SPECIFIED)
EC NO: J2006-0604	2005/08/31	10 UNDER ± ---
DRW:NAIDA	2005/09/01	10 OVER 30 UNDER ± ---
CHK:KTOYODA	2005/09/01	30 OVER ± ---
APP:NUKITA	2005/09/09	ANGULAR ± --- °
		DRAFT WHERE APPLICABLE MUST REMAIN WITHIN DIMENSIONS

54167***8	MODEL NO.	DIMENSION STYLE	SCALE	DESIGN UNITS	THIRD ANGLE PROJECTION
		MM ONLY	---	METRIC	
DRAWN BY	DATE	TITLE	0.5 B/B CONN REC HSG ASSY EMBSTP PKG -LEAD FREE-		
S. AIHARA	'97/05/09				
CHECKED BY	DATE				
T. ITO	'00/12/06				
APPROVED BY	DATE				
M. FUKUSHIMA	'00/12/06				
MATERIAL NO.	DOCUMENT NO.	SEE CHART		SD-54167-002	
				SHEET NO. 3 OF 6	
THIS DRAWING CONTAINS INFORMATION THAT IS PROPRIETARY TO MOLEX INCORPORATED AND SHOULD NOT BE USED WITHOUT WRITTEN PERMISSION					

10 9 8 7 6 5 4 3 2 1

F

E

D

C

B

A

F

E

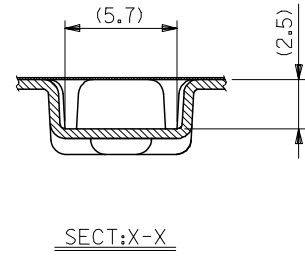
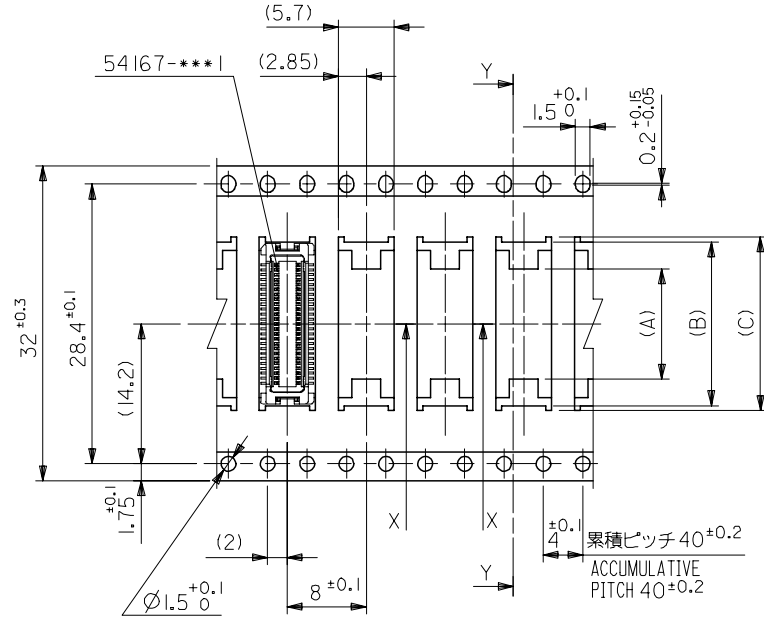
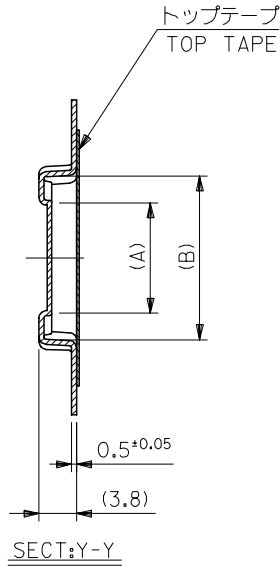
D

C

B

A

引き出し方向
PULL OUT DIRECTION



32mm幅キャリアテープ
32mm WIDTH CARRIER TAPE

REVISED		EC NO: J2006-0604		2005/08/31		2005/09/01		2005/09/09		54167***8		MODEL NO.		32		37.4		33.4		17.6		16.6		11.2		54167-0508		50	
DRAWN BY		DATE		TITLE		SCALE		DESIGN UNITS		THIRD ANGLE PROJECTION		DIMENSION STYLE		E		D		(C)		(B)		(A)		MATERIAL NO.		極数			
S. AIHARA		'96/11/25		0.5 B/B CONN REC HSG ASSY EMBSTP PKG -LEAD FREE-		---		METRIC		⊙ □		MM ONLY												CIRCUIT					
CHECKED BY		DATE		MOLEX INCORPORATED																									
T. ITO		'00/12/06		MATERIAL NO.		DOCUMENT NO.		SHEET NO.																					
APPROVED BY		DATE		SEE CHART		SD-54167-002		4 OF 6																					
M. FUKUSHIMA		'00/12/06																											
GENERAL TOLERANCES (UNLESS SPECIFIED)		10 UNDER ± ---		10 OVER 30 UNDER ± ---		30 OVER ± ---		ANGULAR ± --- °		DRAFT WHERE APPLICABLE MUST REMAIN WITHIN DIMENSIONS		SIZE A3		THIS DRAWING CONTAINS INFORMATION THAT IS PROPRIETARY TO MOLEX INCORPORATED AND SHOULD NOT BE USED WITHOUT WRITTEN PERMISSION															

9

8

7

6

5

4

3

2

10 9 8 7 6 5 4 3 2 1

F

E

D

C

B

A

F

E

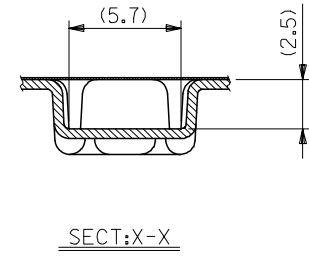
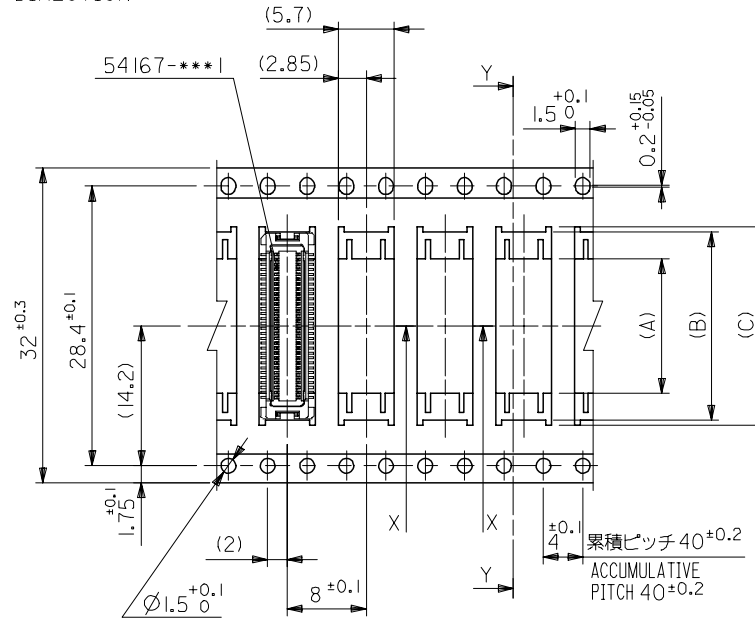
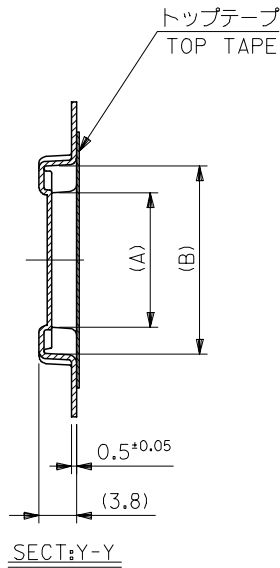
D

C

B

A

引き出し方向
PULL OUT DIRECTION



32mm幅キャリアテープ
32mm WIDTH CARRIER TAPE

REVISED EC NO: J2006-0604 DRW:NAIDA 2005/08/31 CHK:KTOYODA 2005/09/01 APPR:NUKITA 2005/09/09	54167***8 MODEL NO.		32	37.4	33.4	20.1	19.1	13.7	54167-0608	60
	GENERAL TOLERANCES (UNLESS SPECIFIED)		キャリアテープ幅 CARRIER TAPE WIDTH	E	D	(C)	(B)	(A)	MATERIAL NO.	極数 CIRCUIT
	10 UNDER ± ---		DIMENSION STYLE MM ONLY		SCALE ---		DESIGN UNITS METRIC		THIRD ANGLE PROJECTION	
	10 OVER 30 UNDER ± ---		DRAWN BY T. YASUI		DATE '97/05/14		TITLE 0.5 B/B CONN REC HSG ASSY EMBSTP PKG -LEAD FREE-			
30 OVER ± ---		CHECKED BY T. ITO		DATE '00/12/06		MOLEX INCORPORATED				
ANGULAR ±1 °		APPROVED BY M. FUKUSHIMA		DATE '00/12/06		DOCUMENT NO. SD-54167-002		SHEET NO. 5 OF 6		
DRAFT WHERE APPLICABLE MUST REMAIN WITHIN DIMENSIONS		MATERIAL NO. SEE CAHRT		THIS DRAWING CONTAINS INFORMATION THAT IS PROPRIETARY TO MOLEX INCORPORATED AND SHOULD NOT BE USED WITHOUT WRITTEN PERMISSION						

9

8

7

6

5

4

3

2

10 9 8 7 6 5 4 3 2 1

F

E

D

C

B

A

F

E

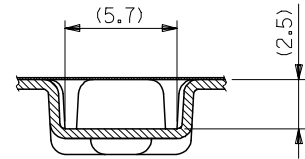
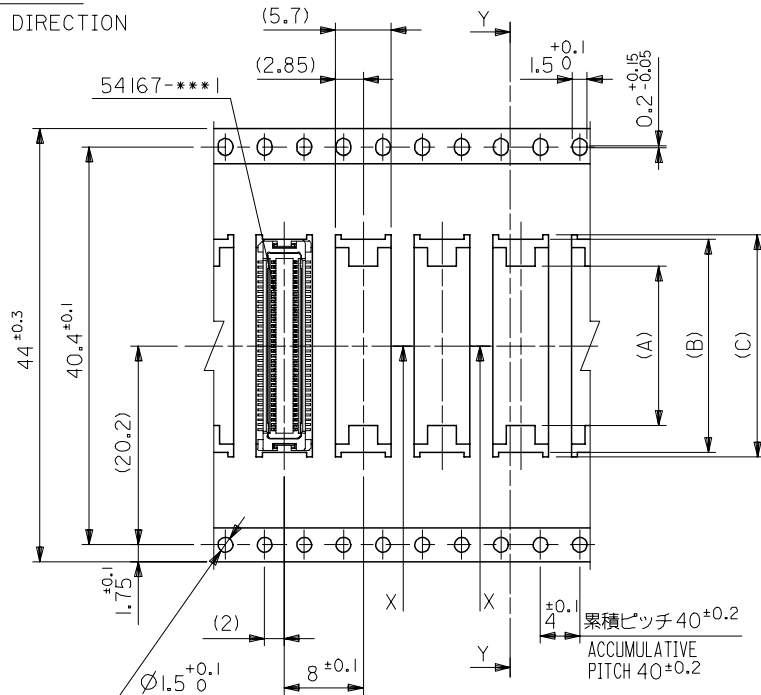
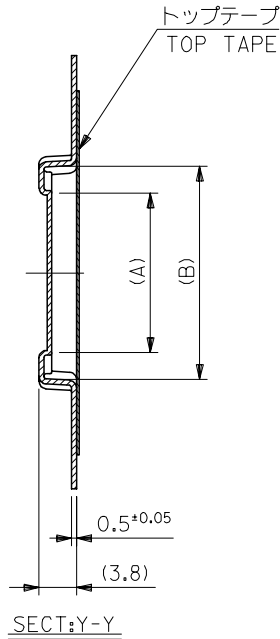
D

C

B

A

引き出し方向
PULL OUT DIRECTION



SECT:X-X

44mm幅キャリアテープ
44mm WIDTH CARRIER TAPE

REVISED EC NO: J2006-0604 DRW:NAIDA 2005/08/31 CHKD:TOYODA 2005/09/01 APPR:NUKITA 2005/09/09	54167***8 MODEL NO.		44	49.4	45.4	25.1	24.1	17.5	54167-0808	80
	GENERAL TOLERANCES (UNLESS SPECIFIED)		キャリアテープ幅 CARRIER TAPE WIDTH	E	D	(C)	(B)	(A)	MATERIAL NO.	極数 CIRCUIT
	10 UNDER ± ---		DIMENSION STYLE MM ONLY		SCALE ---		DESIGN UNITS METRIC		THIRD ANGLE PROJECTION	
	10 OVER 30 UNDER ± ---		DRAWN BY S. AIHARA		DATE '98/10/23		TITLE 0.5 B/B CONN REC HSG ASSY EMBSTP PKG -LEAD FREE-			
30 OVER ± ---		CHECKED BY T. ITO		DATE '00/12/06		MOLEX INCORPORATED				
ANGULAR ± --- °		APPROVED BY M. FUKUSHIMA		DATE '00/12/06		DOCUMENT NO. SD-54167-002		SHEET NO. 6 OF 6		
DRAFT WHERE APPLICABLE MUST REMAIN WITHIN DIMENSIONS		MATERIAL NO. SEE CHART		THIS DRAWING CONTAINS INFORMATION THAT IS PROPRIETARY TO MOLEX INCORPORATED AND SHOULD NOT BE USED WITHOUT WRITTEN PERMISSION						
SIZE A3										

9

8

7

6

5

4

3

2