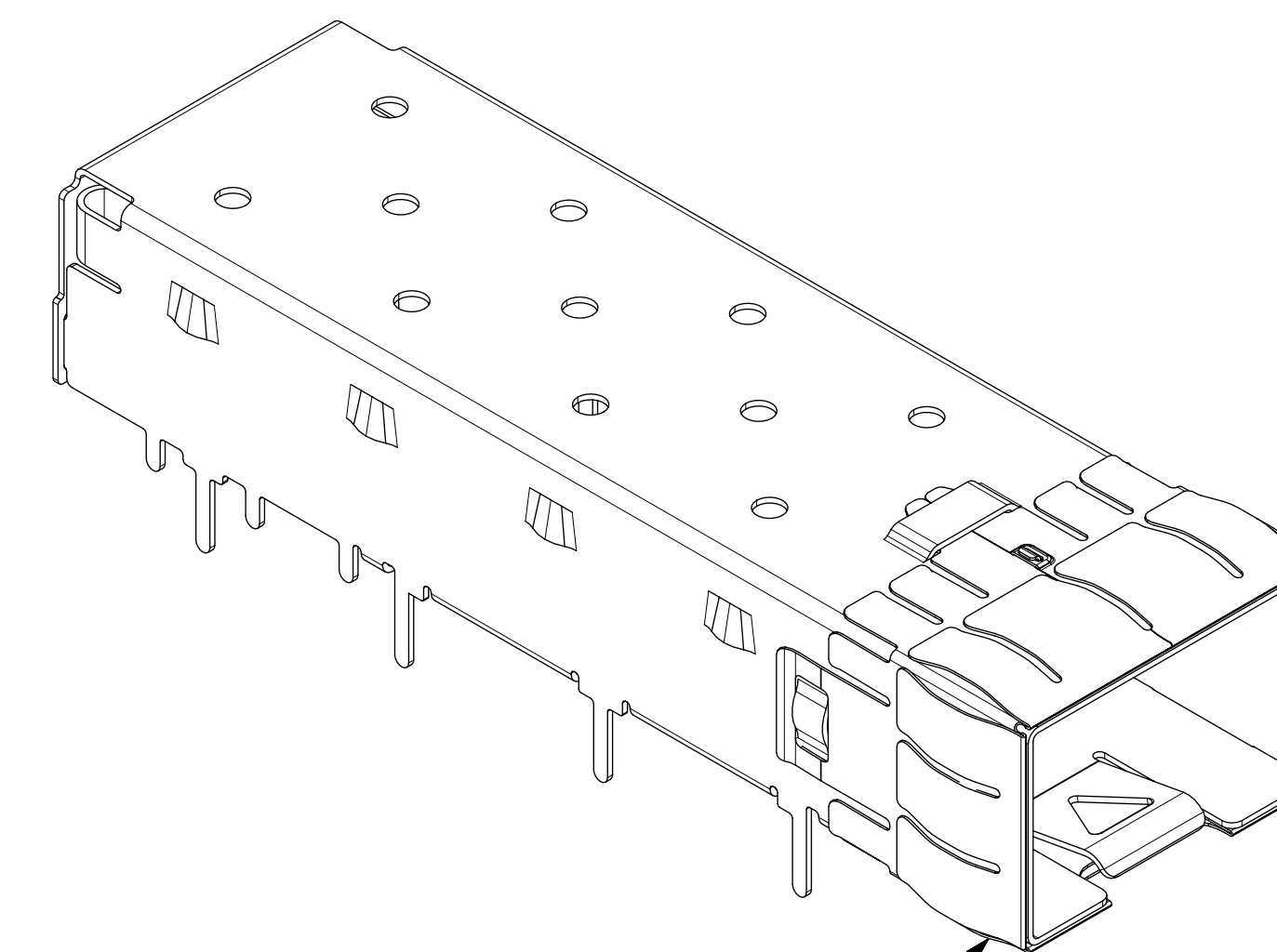
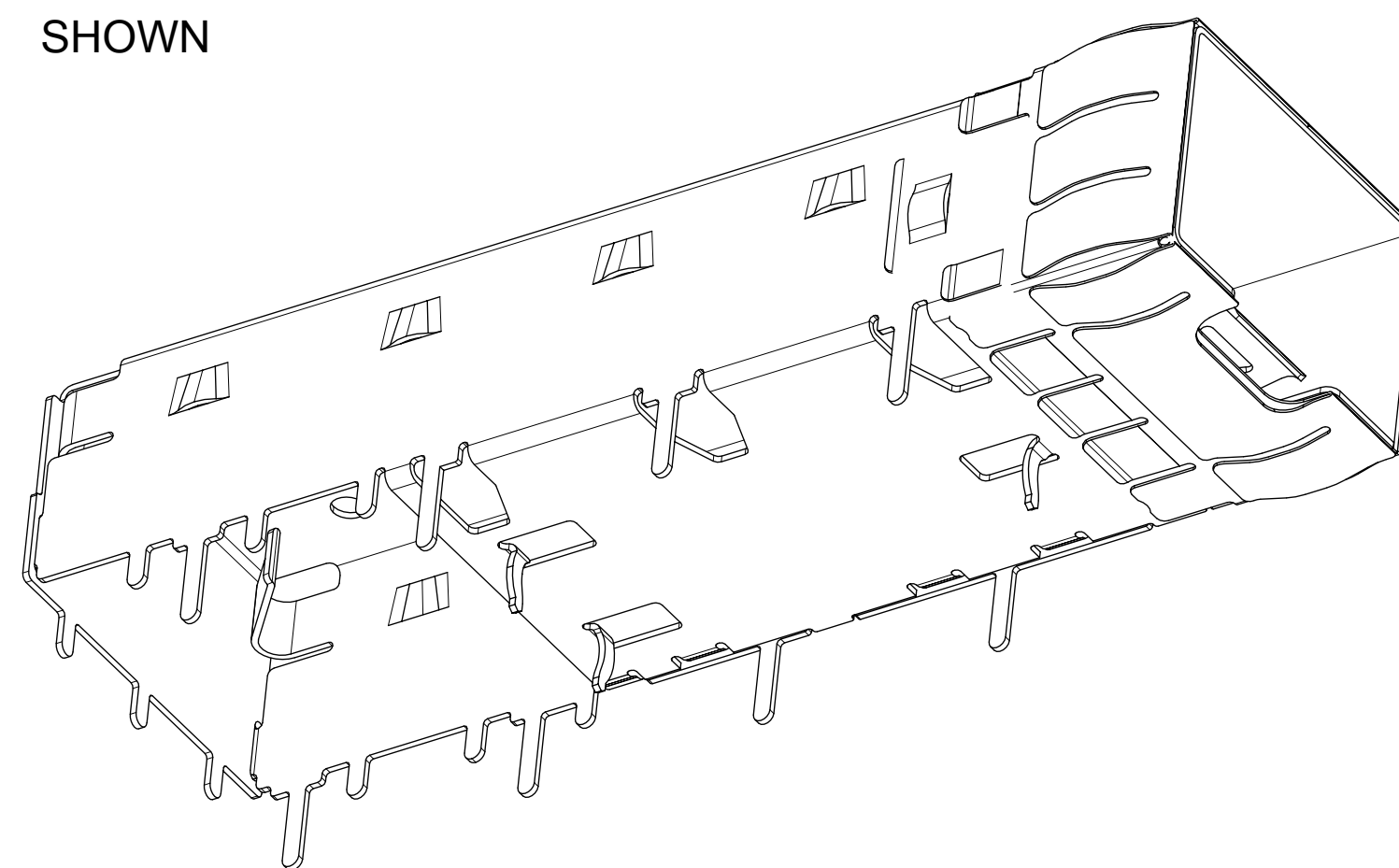
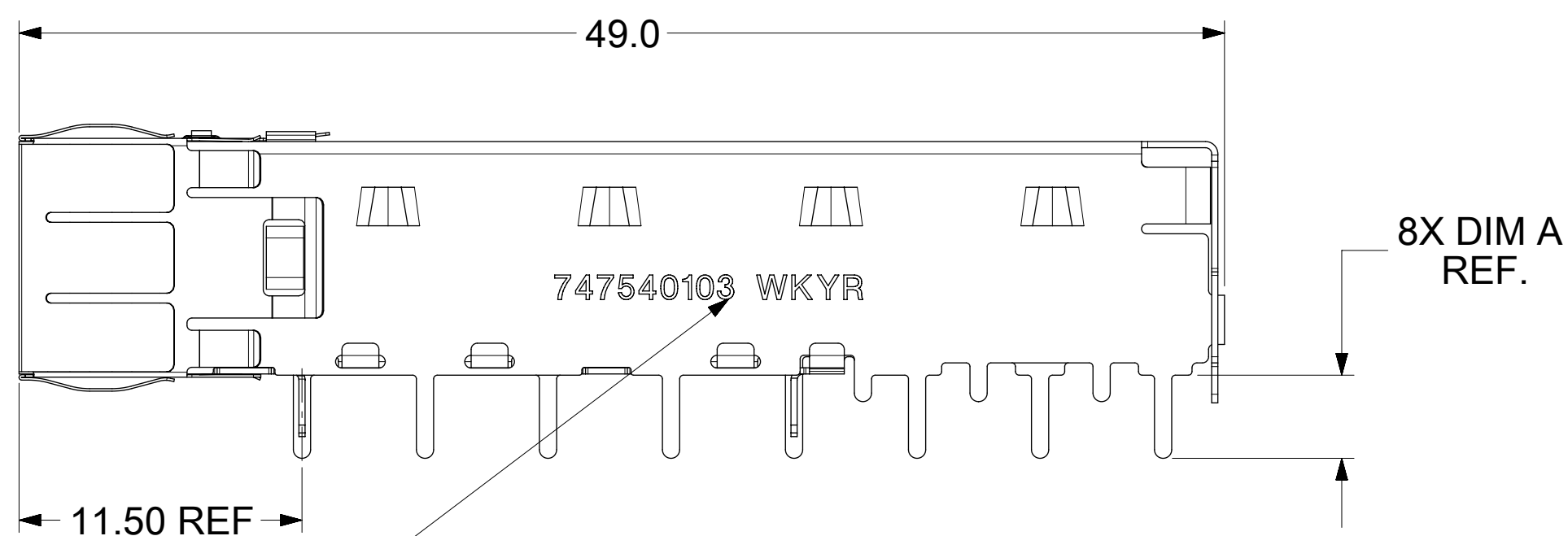
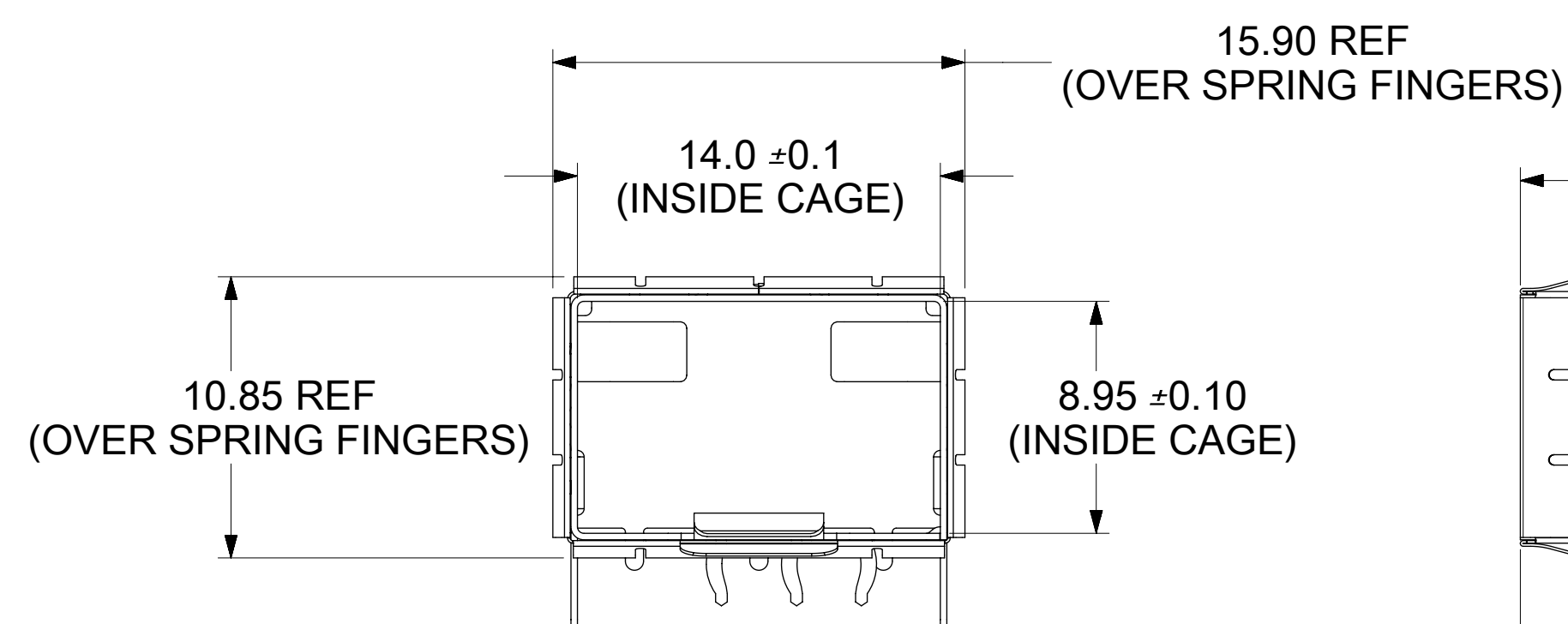


747540103

SHOWN



EMI SPRING



P/N AND WEEK/YEAR DATE CODE TO BE PRINTED / STAMPED ON THE SIDE OF COMPLETED CAGE ASSEMBLY AS SHOWN.

SEE TABLE BELOW FOR DATE CODE INFORMATION.

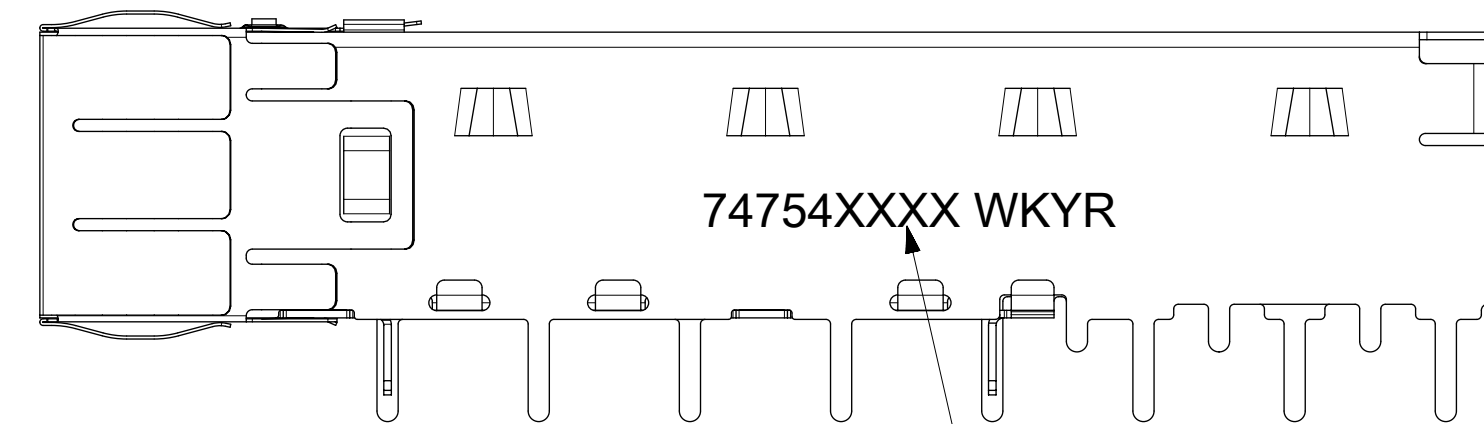
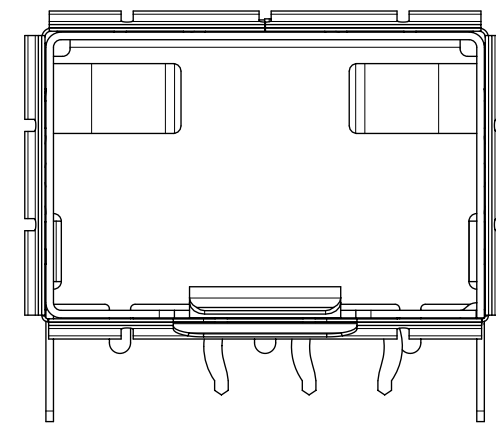
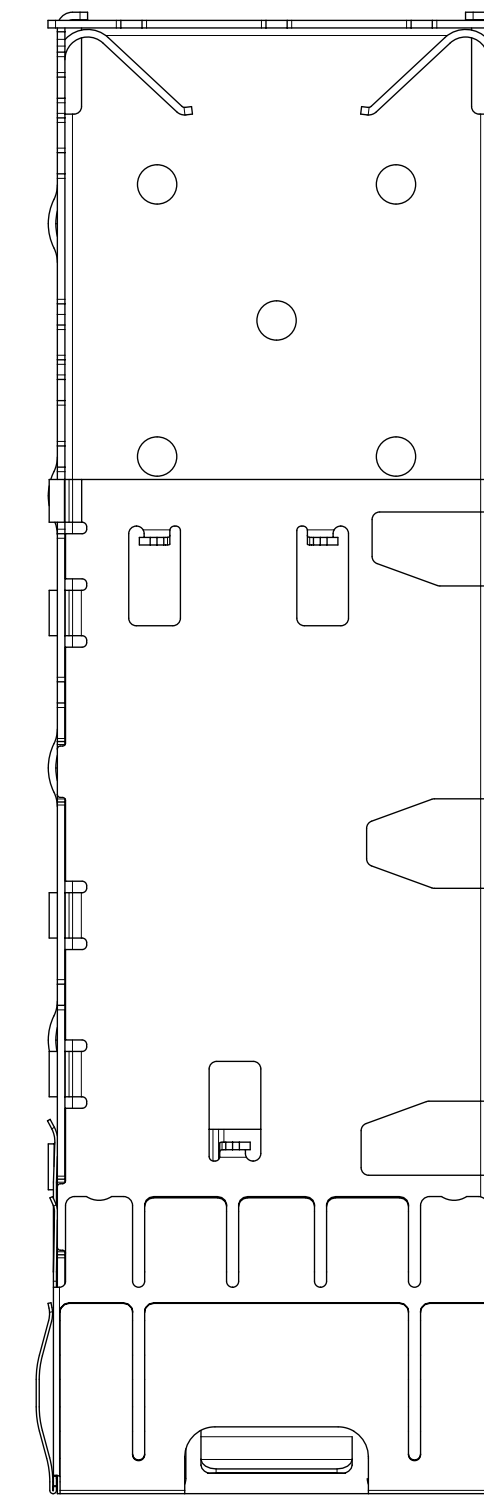
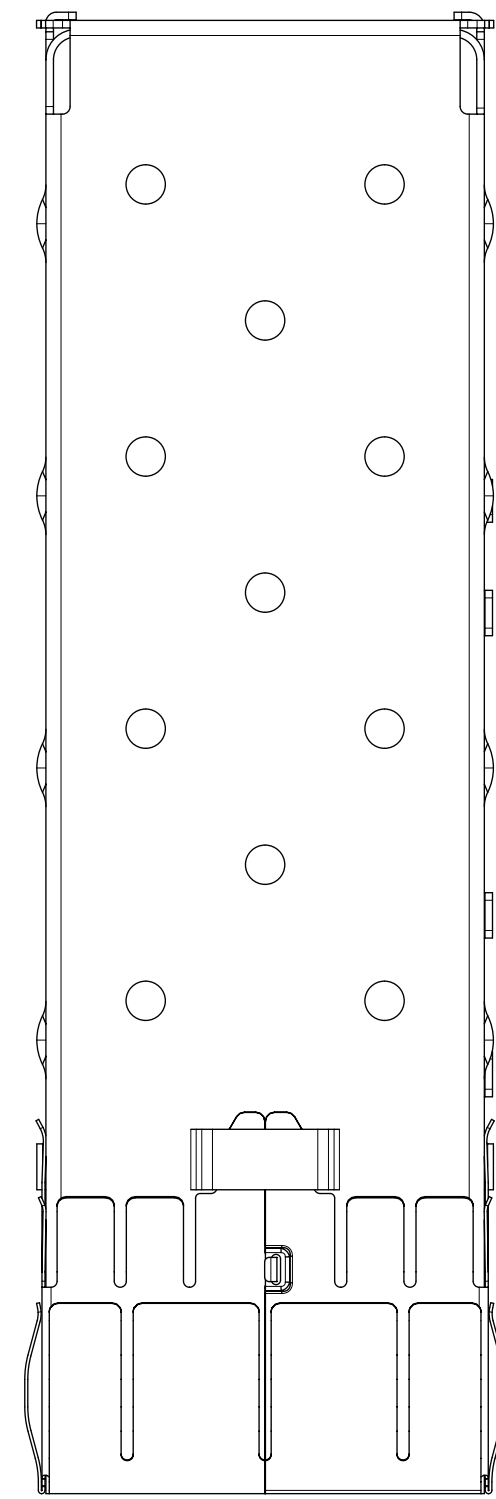
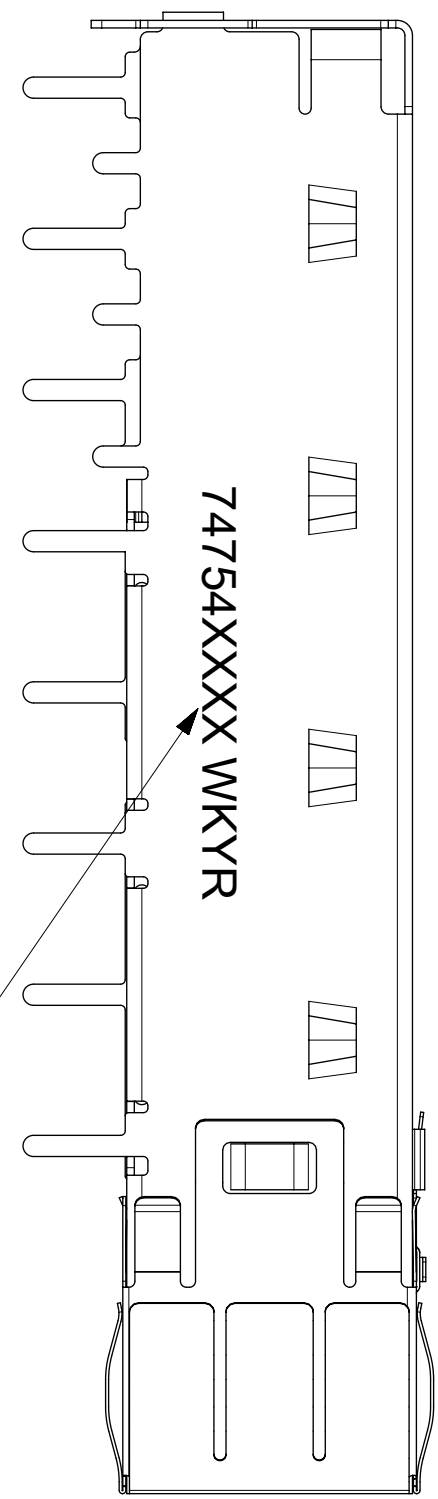
WEEK/YEAR DATE CODE TABLE	
WK	WEEK OF THE YEAR 01 THRU 52 (EXAMPLE: 01= FIRST WEEK OF YEAR 52= LAST WEEK OF YEAR)
YR	16, 17, 18 ETC.. (EXAMPLE: YEAR 2016= 16)

SFP+ 1X1 CAGE					
PART NO.	PLATING	DIM, A	SF THICKNESS	PACKING	SHEET NO.
747540103	PRE-PLATED WITH NICKEL	3.38	0.10mm	TRAY	SHEET 1
747540120	UNPLATED	3.38	0.10mm	TRAY	SHEET 2
747540134	PRE-PLATED WITH NICKEL	2.80	0.10mm	TRAY	SHEET 2
747540135	MATT TIN	2.80	0.10mm	TRAY	SHEET 2
747540906	PRE-PLATED WITH NICKEL	2.20	0.08mm	T & R	SHEET 2
747540907	PRE-PLATED WITH NICKEL	2.20	0.08mm	T & R	SHEET 3
747540909	UNPLATED	3.38	0.10mm	T & R	SHEET 2

NOTES:

- MATERIAL:  
CAGE: COPPER ALLOY, THICKNESS 0.25mm  
SPRING FINGER: NICKEL PLATED COPPER ALLOY (THICKNESS REFER P/N TABLE).
- OPTIONAL LIGHT PIPE ASSEMBLY AVAILABLE
- PORTS ARE DESIGNED FOR SFP+ TRANSCEIVERS AND ARE BACKWARDS COMPATIBLE WITH SFP TRANSCEIVERS
- NO RoHS EXEMPTIONS
- WITHOUT ANY DISCOLORATION AFTER IR REFLOW TEST (REFER TO PS OF 747540001)

FUNCTIONAL SYMBOLS	THIS DRAWING CONTAINS INFORMATION THAT IS PROPRIETARY TO MOLEX ELECTRONIC TECHNOLOGIES, LLC AND SHOULD NOT BE USED WITHOUT WRITTEN PERMISSION		CURRENT REV DESC: SEE REVISION TABLE		
	FA = 0	mm	SCALE 4:1		
DIVISIONAL SYMBOLS	GENERAL TOLERANCES (UNLESS SPECIFIED)		EC NO: 640094		<b>SFP+ 1X1 CAGE ASSEMBLY WITH SPRING FINGERS AND SOLDER POST LEGS</b>
	EA = 0	ANGULAR TOL ± 1.0°		DRWN: TKUMARKC 2020/05/26	
FUNCTIONAL SYMBOLS	4 PLACES ±		CHK'D: SMALLESHAPPA 2020/06/23		<b>PRODUCT CUSTOMER DRAWING</b>
	3 PLACES ±		APPR: JCHIANG 2020/06/25		
FUNCTIONAL SYMBOLS	2 PLACES ± 0.15		INITIAL REVISION:		DOCUMENT NUMBER <b>747540103</b>
	1 PLACE ± 0.25		DRWN: BTEJA 2016/02/29		
FUNCTIONAL SYMBOLS	0 PLACES ±		APPR: RCHEN08 2016/03/08		DOC TYPE DOC PART REVISION PSD ASY U
	DRAFT WHERE APPLICABLE MUST REMAIN WITHIN DIMENSIONS		THIRD ANGLE PROJECTION		
D-DRAWING		SERIES		MATERIAL NUMBER CUSTOMER SHEET NUMBER	
D-DRAWING		SERIES		MATERIAL NUMBER CUSTOMER SHEET NUMBER	
D-DRAWING		SERIES		MATERIAL NUMBER CUSTOMER SHEET NUMBER	



P/N AND WEEK/YEAR DATE CODE TO BE PRINTED ON THE SIDE OF COMPLETED CAGE ASSEMBLY AS SHOWN.

SEE TABLE BELOW FOR DATE CODE INFORMATION.

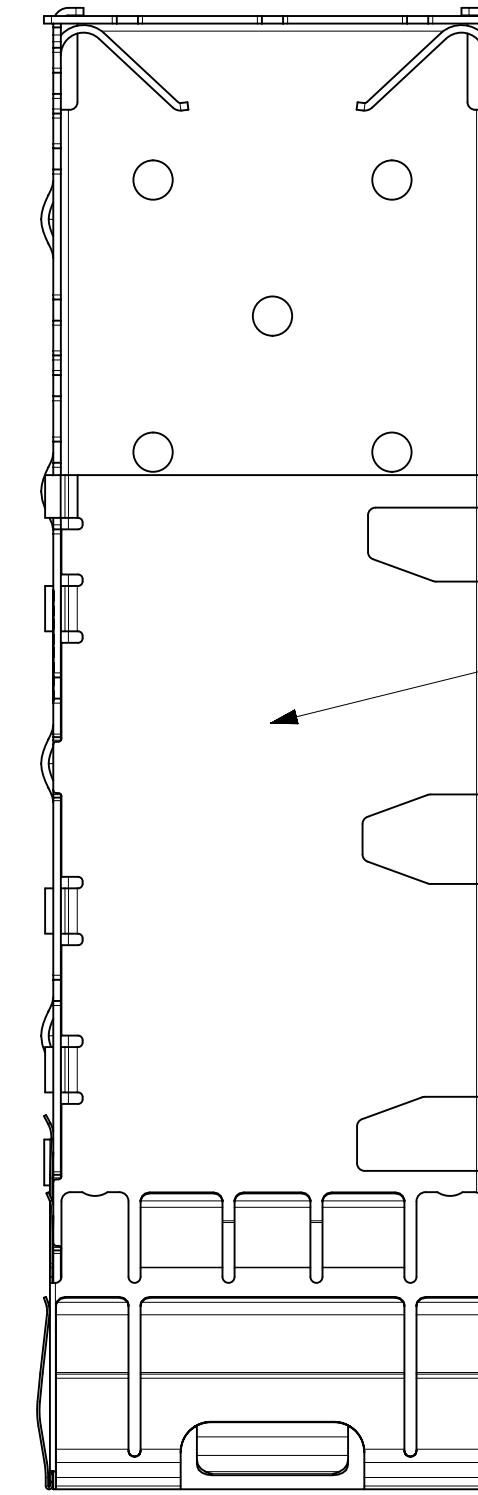
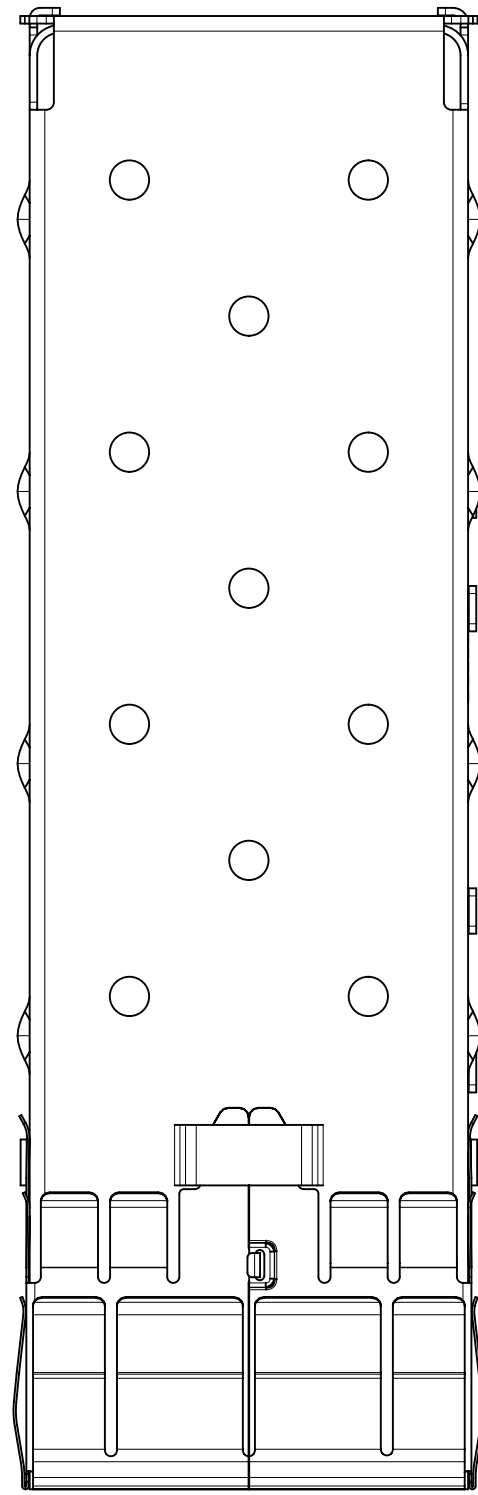
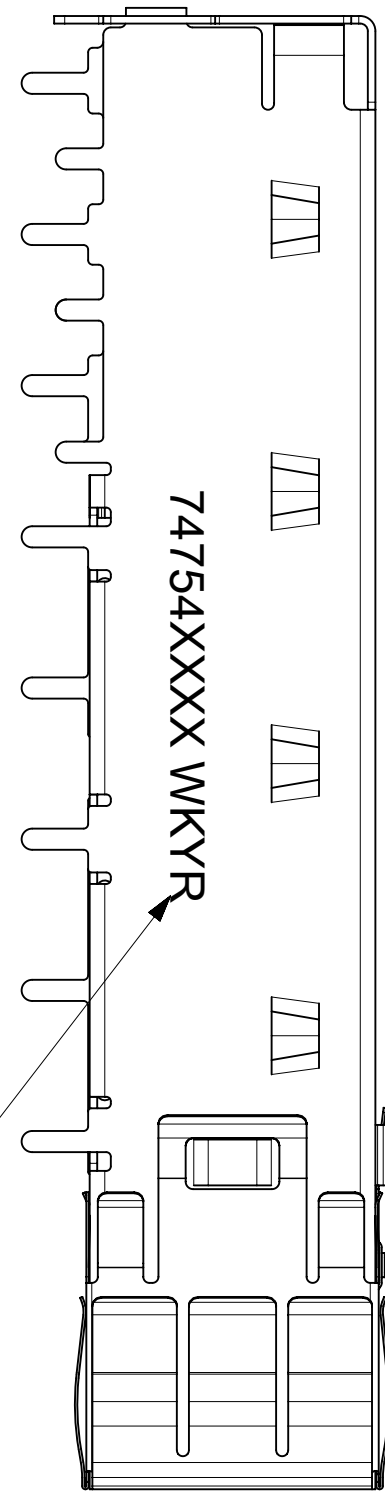
WEEK/YEAR DATE CODE TABLE	
WK	WEEK OF THE YEAR 01 THRU 52 (EXAMPLE: 01= FIRST WEEK OF YEAR 52= LAST WEEK OF YEAR)
YR	16, 17, 18 ETC.. (EXAMPLE: YEAR 2016= 16)

NOTES:

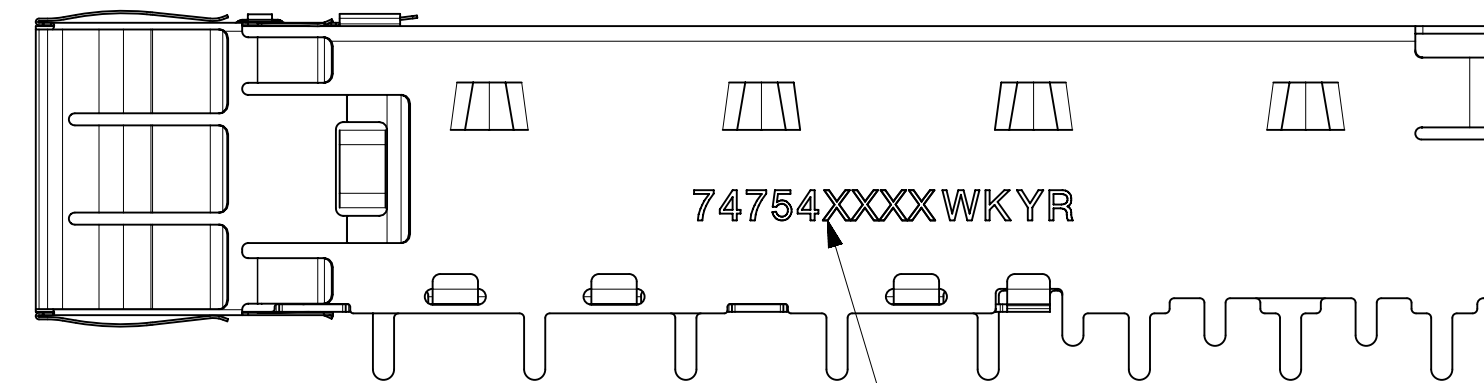
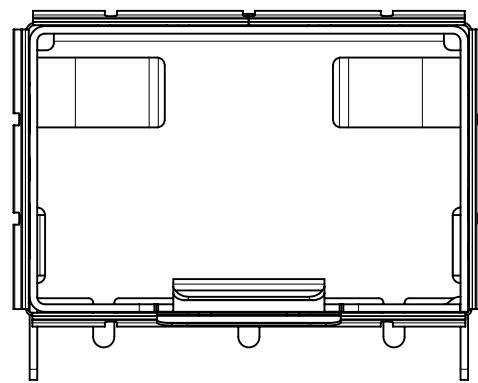
1. ALL DIMENSIONS ARE REFER TO SHEET 1

PART NO.
747540120
747540134
747540135
747540906
747540909

FUNCTIONAL SYMBOLS		THIS DRAWING CONTAINS INFORMATION THAT IS PROPRIETARY TO MOLEX ELECTRONIC TECHNOLOGIES, LLC AND SHOULD NOT BE USED WITHOUT WRITTEN PERMISSION		CURRENT REV DESC: SEE REVISION TABLE			
$\nabla_A = 0$	mm	SCALE	4:1	GENERAL TOLERANCES (UNLESS SPECIFIED)			
$\nabla_C = 0$		ANGULAR TOL $\pm 1.0^\circ$		4 PLACES $\pm$		EC NO: 640094	
$\nabla_D = 0$		3 PLACES $\pm$		2 PLACES $\pm 0.15$		DRWN: TKUMARKC 2020/05/26	
DIVISIONAL SYMBOLS		1 PLACE $\pm 0.25$		0 PLACES $\pm$		CHK'D: SMALLESHAPPA 2020/06/23	
DRAFT WHERE APPLICABLE MUST REMAIN WITHIN DIMENSIONS		THIRD ANGLE PROJECTION		DRAWING		SERIES	
				D-SIZE		74754	
DOCUMENT STATUS		P1		RELEASE DATE		2020/06/25 16:41:47	
DOCUMENT NUMBER		747540103		DOC TYPE		PSD	
DOC PART		ASY		REVISION		U	
MATERIAL NUMBER		SEE P/N TABLE		CUSTOMER		SHEET NUMBER	
						2 OF 8	



WITHOUT THREE BOTTOM LEGS



MOLEX INTERNAL USE ONLY

P/N AND WEEK/YEAR DATE CODE TO BE PRINTED ON THE SIDE OF COMPLETED CAGE ASSEMBLY AS SHOWN.

SEE TABLE BELOW FOR DATE CODE INFORMATION.

WEEK/YEAR DATE CODE TABLE	
WK	WEEK OF THE YEAR 01 THRU 52 (EXAMPLE: 01= FIRST WEEK OF YEAR 52= LAST WEEK OF YEAR)
YR	16, 17, 18 ETC.. (EXAMPLE: YEAR 2016= 16)

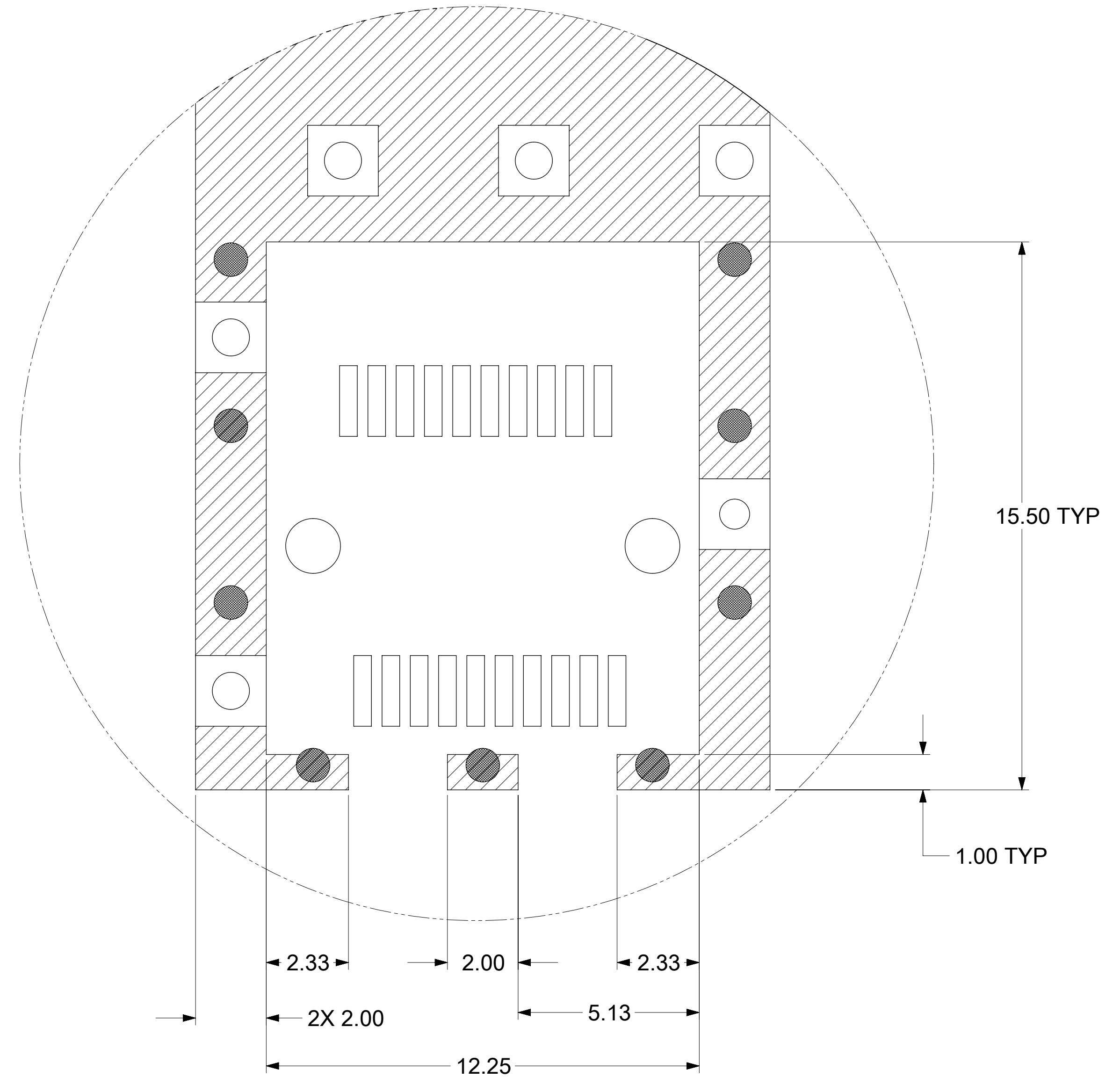
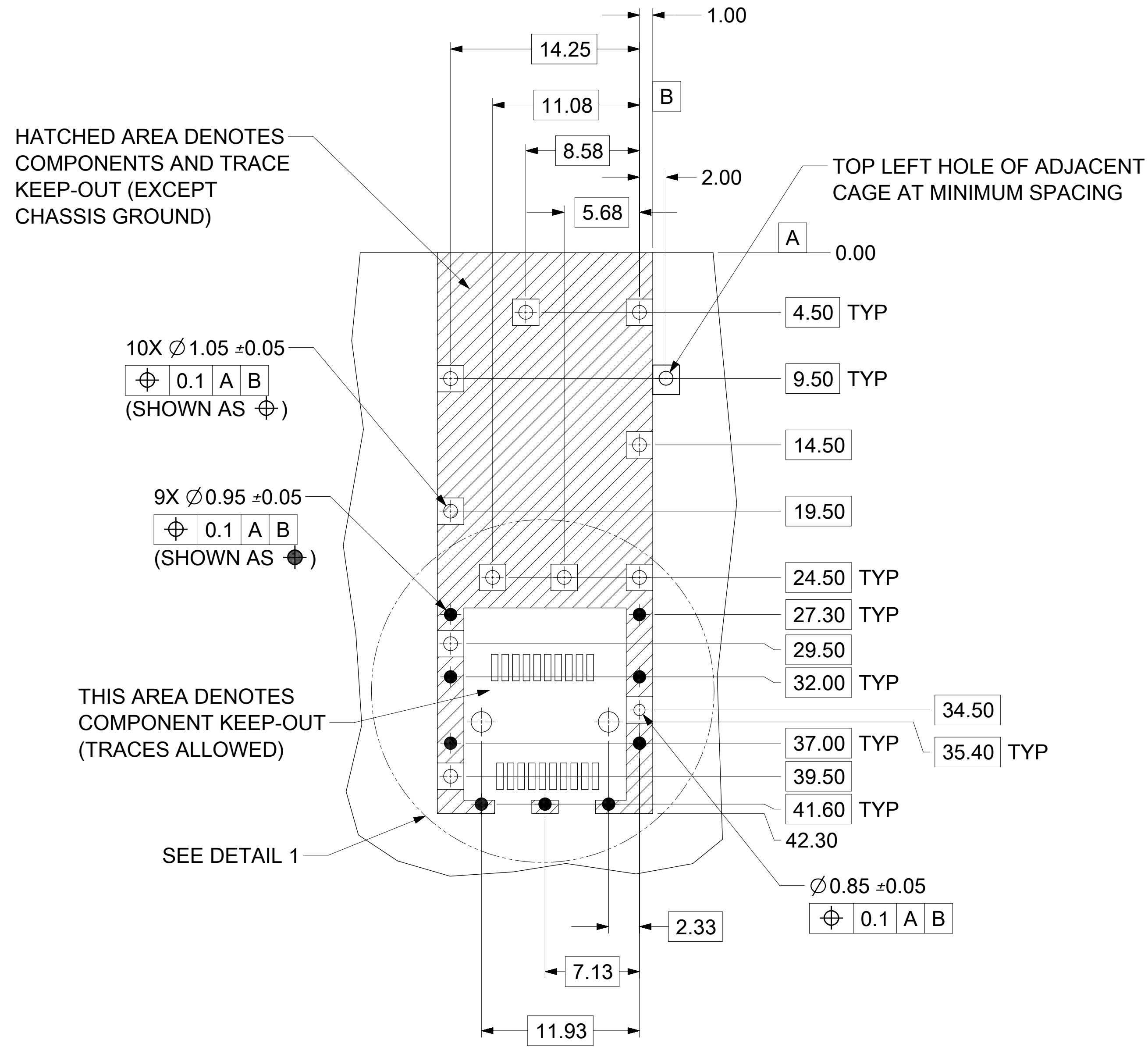
PART NO.  
747540907

NOTES:

- ALL DIMENSIONS ARE REFER TO SHEET 1

FUNCTIONAL SYMBOLS $\nabla_A = 0$ $\nabla_C = 0$ $\nabla_P = 0$ DIVISIONAL SYMBOLS	THIS DRAWING CONTAINS INFORMATION THAT IS PROPRIETARY TO MOLEX ELECTRONIC TECHNOLOGIES, LLC AND SHOULD NOT BE USED WITHOUT WRITTEN PERMISSION		DIMENSION UNITS: mm SCALE: 4:1		CURRENT REV DESC: SEE REVISION TABLE					
	GENERAL TOLERANCES (UNLESS SPECIFIED) ANGULAR TOL $\pm 1.0^\circ$		EC NO: 640094 DRWN: TKUMARKC 2020/05/26 CHK'D: SMALLESHAPPA 2020/06/23 APPR: JCHIANG 2020/06/25		INITIAL REVISION: DRWN: BTEJA 2016/02/29 APPR: RCHEN08 2016/03/08				DOCUMENT NUMBER <b>747540103</b>	DOC TYPE PSD
DRAFT WHERE APPLICABLE MUST REMAIN WITHIN DIMENSIONS		THIRD ANGLE PROJECTION		DRAWING <b>D-SIZE</b>	SERIES <b>74754</b>	MATERIAL NUMBER SEE P/N TABLE		CUSTOMER 		SHEET NUMBER <b>3 OF 8</b>

# PCB LAYOUT FOR SINGLE SIDE MOUNT



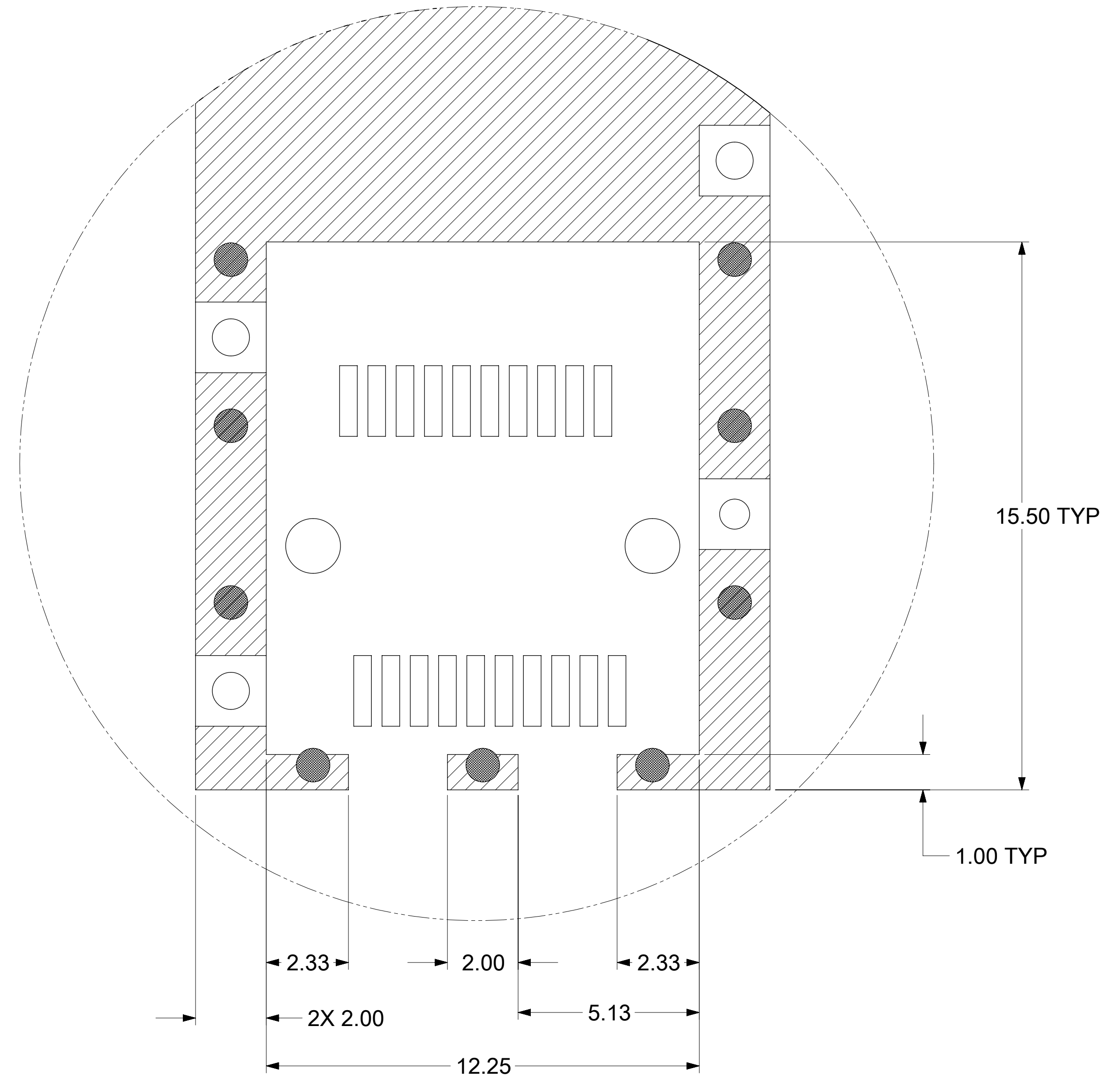
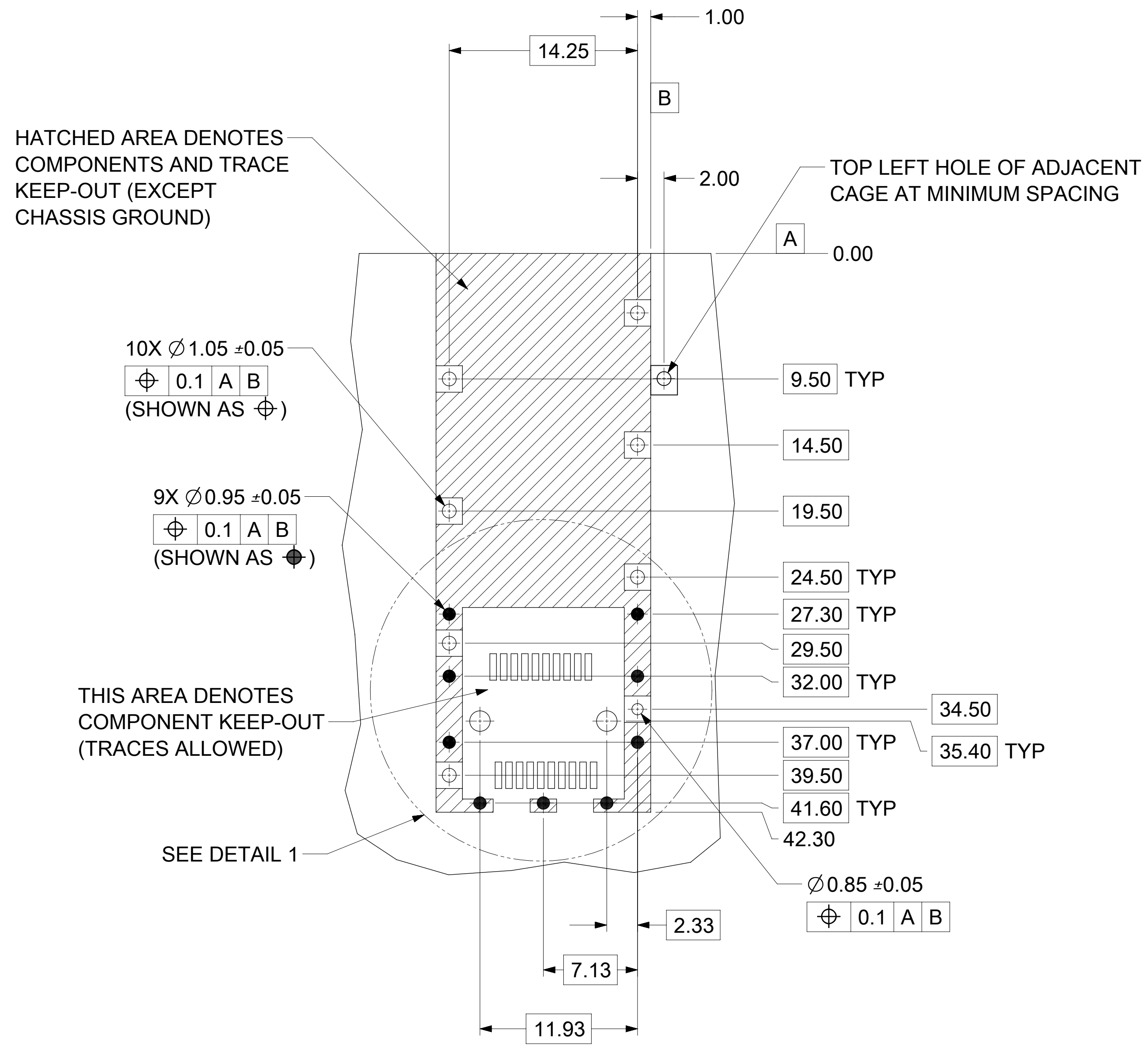
DETAIL 1  
SCALE 10:1  
HOST CONNECTOR DETAIL

- NOTES:
1. PADS AND VIAS CONNECT TO CHASSIS GROUND (RECOMMEND PADS TO BE 2.00mm SQUARE)
  2. RECOMMENDED THRU HOLE PLATING INCLUDES HASL, OSP, OR IMMERSION (GOLD, SILVER, OR TIN).
  3. CONNECTOR PAD LAYOUT PER SFP+ MSA WILL ACCOMMODATE MOLEX CONNECTOR SERIES 74441 OR EQUIVALENT.

FUNCTIONAL SYMBOLS	THIS DRAWING CONTAINS INFORMATION THAT IS PROPRIETARY TO MOLEX ELECTRONIC TECHNOLOGIES, LLC AND SHOULD NOT BE USED WITHOUT WRITTEN PERMISSION		CURRENT REV DESC: SEE REVISION TABLE		<b>molex</b>			
	DIMENSION UNITS	SCALE						
$\nabla_A = 0$	mm	4:1			SFP+ 1X1 CAGE ASSEMBLY WITH SPRING FINGERS AND SOLDER POST LEGS			
$\nabla_C = 0$	GENERAL TOLERANCES (UNLESS SPECIFIED)							
$\nabla_D = 0$	ANGULAR TOL $\pm 1.0^\circ$				PRODUCT CUSTOMER DRAWING			
DIVISIONAL SYMBOLS	4 PLACES	$\pm$	EC NO: 640094	2020/05/26	DOCUMENT NUMBER	DOC TYPE	DOC PART	REVISION
	3 PLACES	$\pm$	DRWN: TKUMARKC	2020/06/23				
	2 PLACES	$\pm 0.15$	CHK'D: SMALLESHAPPA	2020/06/25	747540103			
	1 PLACE	$\pm 0.25$	APPR: JCHIANG		PSD	ASY	U	
0 PLACES	$\pm$	INITIAL REVISION:	DRWN: BTEJA	2016/02/29				
DRAFT WHERE APPLICABLE MUST REMAIN WITHIN DIMENSIONS		THIRD ANGLE PROJECTION	DRAWING	SERIES	MATERIAL NUMBER	CUSTOMER	SHEET NUMBER	
			D-SIZE	74754	SEE P/N TABLE		4 OF 8	

# PCB LAYOUT FOR SINGLE SIDE MOUNT

ONLY FOR 747540907

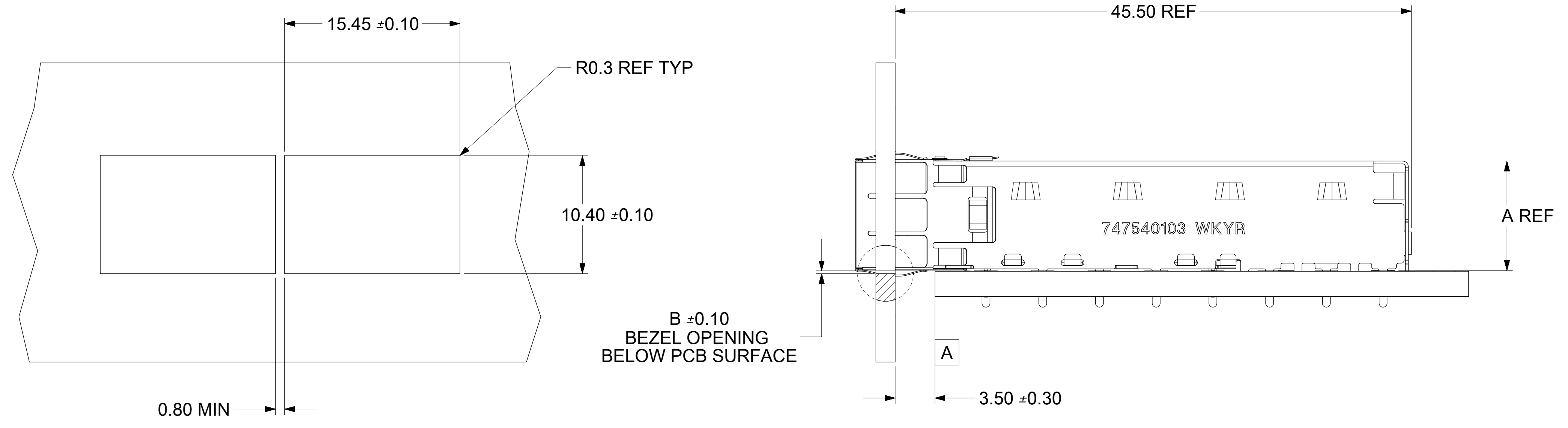


DETAIL 1  
SCALE 10:1  
HOST CONNECTOR DETAIL

- NOTES:
- PADS AND VIAS CONNECT TO CHASSIS GROUND (RECOMMEND PADS TO BE 2.00mm SQUARE)
  - RECOMMENDED THRU HOLE PLATING INCLUDES HASL, OSP, OR IMMERSION (GOLD, SILVER, OR TIN).
  - CONNECTOR PAD LAYOUT PER SFP+ MSA WILL ACCOMMODATE MOLEX CONNECTOR SERIES 74441 OR EQUIVALENT.

FUNCTIONAL SYMBOLS	THIS DRAWING CONTAINS INFORMATION THAT IS PROPRIETARY TO MOLEX ELECTRONIC TECHNOLOGIES, LLC AND SHOULD NOT BE USED WITHOUT WRITTEN PERMISSION		CURRENT REV DESC: SEE REVISION TABLE		<b>molex</b>		
	DIMENSION UNITS	SCALE					
$\nabla_A = 0$	mm	4:1			SFP+ 1X1 CAGE ASSEMBLY WITH SPRING FINGERS AND SOLDER POST LEGS		
$\nabla_C = 0$	GENERAL TOLERANCES (UNLESS SPECIFIED)						
$\nabla_P = 0$	ANGULAR TOL $\pm 1.0^\circ$				PRODUCT CUSTOMER DRAWING		
DIVISIONAL SYMBOLS	4 PLACES	$\pm$	EC NO: 640094	2020/05/26	DOCUMENT NUMBER		
	3 PLACES	$\pm$	DRWN: TKUMARKC	2020/06/23		747540103	
	2 PLACES	$\pm 0.15$	CHK'D: SMALLESHAPPA	2020/06/25	DOC TYPE		
	1 PLACE	$\pm 0.25$	APPR: JCHIANG	2020/06/25	DOC PART		
0 PLACES	$\pm$	INITIAL REVISION:		REVISION	U		
DRAFT WHERE APPLICABLE MUST REMAIN WITHIN DIMENSIONS		THIRD ANGLE PROJECTION	DRAWING	SERIES	MATERIAL NUMBER	CUSTOMER	SHEET NUMBER
			D-SIZE	74754	SEE P/N TABLE		5 OF 8

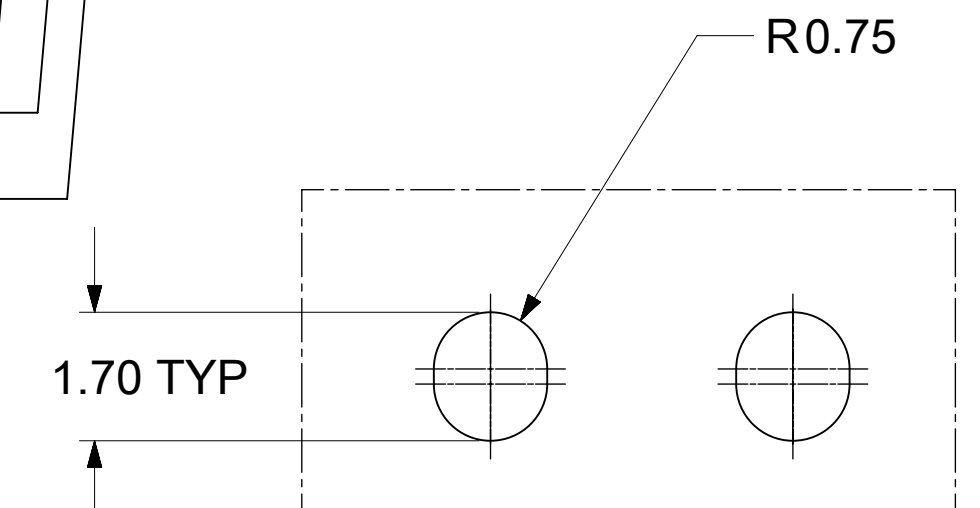
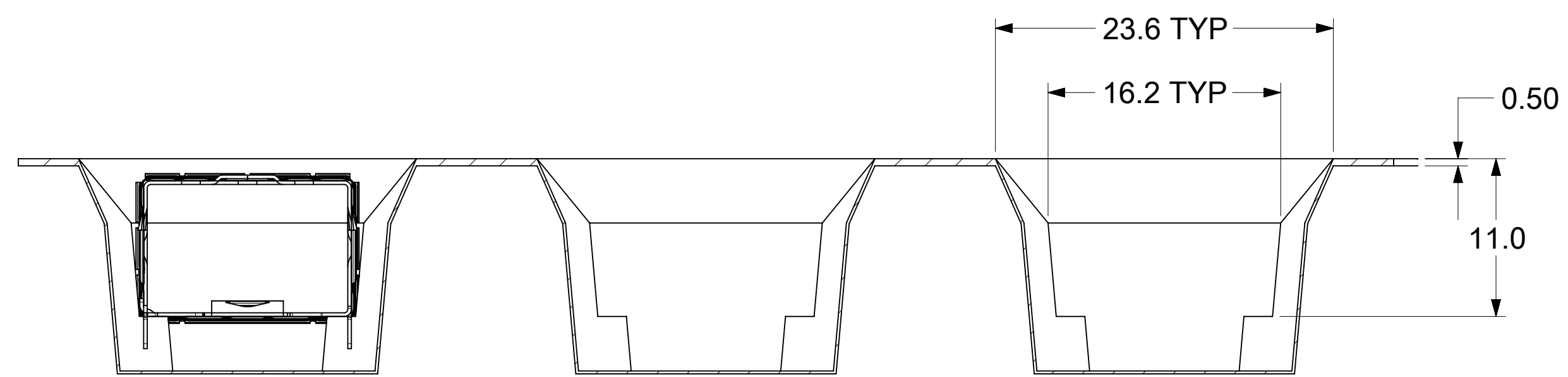
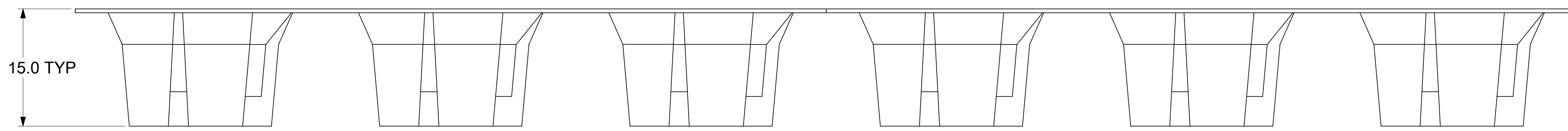
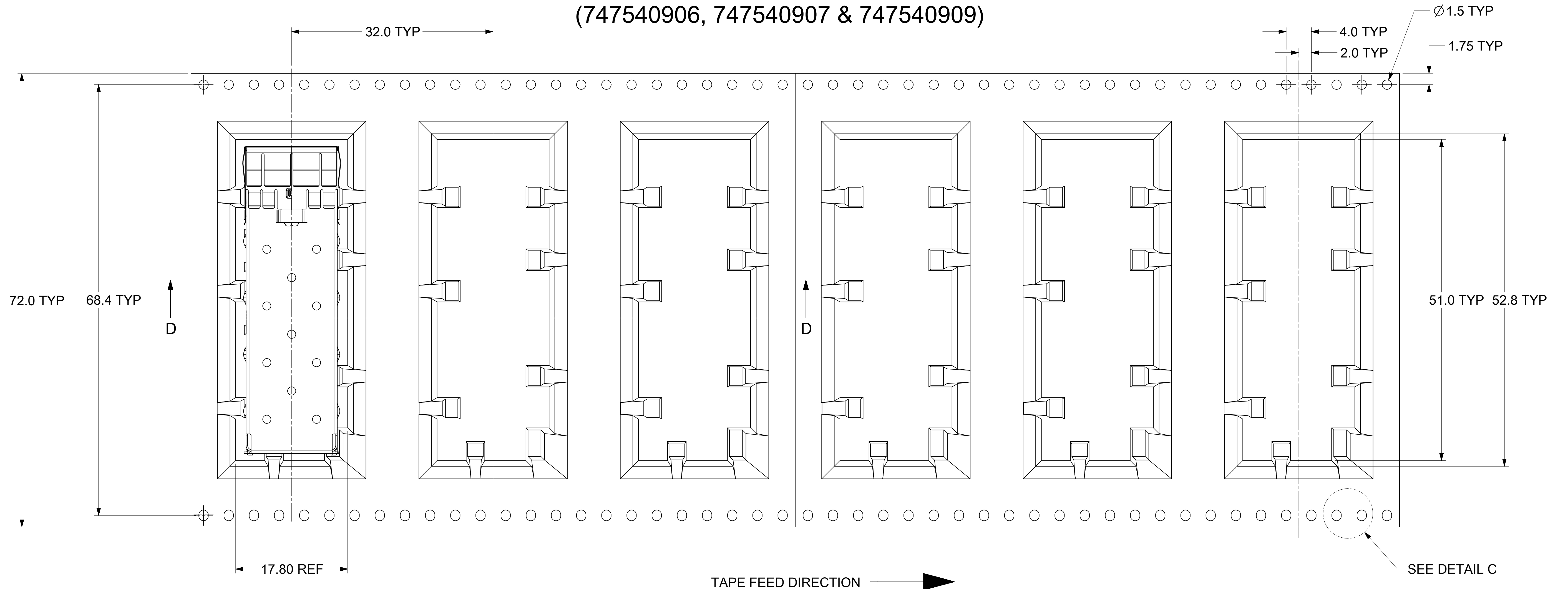
# BEZEL AND BOARD POSITION DIMENSIONS FOR SINGLE SIDE MOUNTING (SPRING FINGER)



SFP+ 1X1 CAGE		
PART NO.	DIME A	DIM B
747540103	9.47	0.43
747540120	9.47	0.43
747540134	9.65	0.25
747540135	9.65	0.25
747540906	9.47	0.43
747540907	9.47	0.43
747540909	9.47	0.43

<b>FUNCTIONAL SYMBOLS</b> $\nabla_A = 0$ $\nabla_C = 0$ $\nabla_P = 0$	THIS DRAWING CONTAINS INFORMATION THAT IS PROPRIETARY TO MOLEX ELECTRONIC TECHNOLOGIES, LLC AND SHOULD NOT BE USED WITHOUT WRITTEN PERMISSION		CURRENT REV DESC: SEE REVISION TABLE		
	DIMENSION UNITS	SCALE	GENERAL TOLERANCES (UNLESS SPECIFIED)		
	mm	4:1	ANGULAR TOL ± 1.0°		
	GENERAL TOLERANCES (UNLESS SPECIFIED)		4 PLACES ±		
<b>DIVISIONAL SYMBOLS</b>	EC NO: 640094		DRWN: TKUMARKC 2020/05/26		<b>PRODUCT CUSTOMER DRAWING</b>
	3 PLACES ±		CHK'D: SMALLESHAPPA 2020/06/23		
	2 PLACES ± 0.15		APPR: JCHIANG 2020/06/25		
	1 PLACE ± 0.25		INITIAL REVISION:		
0 PLACES ±		DRWN: BTEJA 2016/02/29		DOCUMENT NUMBER	
DRAFT WHERE APPLICABLE MUST REMAIN WITHIN DIMENSIONS		APPR: RCHEN08 2016/03/08		747540103	
THIRD ANGLE PROJECTION		DRAWING		DOC TYPE	
		D-SIZE		PSD	
SERIES		MATERIAL NUMBER		DOC PART	
74754		SEE P/N TABLE		ASY	
SHEET NUMBER		CUSTOMER		REVISION	
6 OF 8				U	

# TAPE & REEL DETAIL FOR P/N (747540906, 747540907 & 747540909)



DETAIL C  
SCALE 10:1

FUNCTIONAL SYMBOLS FA = 0 FC = 0 FD = 0	THIS DRAWING CONTAINS INFORMATION THAT IS PROPRIETARY TO MOLEX ELECTRONIC TECHNOLOGIES, LLC AND SHOULD NOT BE USED WITHOUT WRITTEN PERMISSION		CURRENT REV DESC: SEE REVISION TABLE	
	DIMENSION UNITS mm	SCALE 3:1		
DIVISIONAL SYMBOLS	GENERAL TOLERANCES (UNLESS SPECIFIED)		EC NO: 640094	
	ANGULAR TOL $\pm 1.0^\circ$		DRWN: TKUMARKC	2020/05/26
	4 PLACES $\pm$		CHK'D: SMALLESHAPPA	2020/06/23
	3 PLACES $\pm$		APPR: JCHIANG	2020/06/25
	2 PLACES $\pm 0.15$		INITIAL REVISION:	
1 PLACE $\pm 0.25$		DRWN: BTEJA	2016/02/29	
0 PLACES $\pm$		APPR: RCHEN08	2016/03/08	
DRAFT WHERE APPLICABLE MUST REMAIN WITHIN DIMENSIONS		THIRD ANGLE PROJECTION	DRAWING D-SIZE	SERIES 74754
DOCUMENT STATUS P1		RELEASE DATE 2020/06/25 16:41:47	MATERIAL NUMBER SEE P/N TABLE	CUSTOMER
			DOCUMENT NUMBER 747540103	DOC TYPE PSD
			DOC PART ASY	REVISION U
			SHEET NUMBER 7 OF 8	

**molex**

SFP+ 1X1 CAGE ASSEMBLY  
WITH SPRING FINGERS AND SOLDER POST LEGS


PRODUCT CUSTOMER DRAWING

DOCUMENT NUMBER: 747540103  
DOC TYPE: PSD  
DOC PART: ASY  
REVISION: U

MATERIAL NUMBER: SEE P/N TABLE  
CUSTOMER:

SHEET NUMBER: 7 OF 8

REV	DATE	DESCRIPTION
C	2012/10/04	ADDED PN TABLE. REMOVED NICKEL PLATED FROM CAGE.
D	2013/01/04	ADDED 74754-0901. ADDED DIM A TO TABLE. REMOVED MINIMUM PCB THICKNESS NOTE. UPDATED ROHS NOTE. CREATED SHT4 AND ADDED REV HISTORY.
E	2014/03/03	1. CHANGED P/N TEXT ON SIDE OF CAGE FROM 747540103 WKYR TO 74754XXXX WKYR [SHT 1] 2. REGENERATED ISO VIEW [SHT 1]. 3. ADDED 747540134, 747540135 AND 747548103 [SHT 1] 4. ADDED "MM 3D MODEL: TM-74754-1X1-SOLDER" ON LEFT TOP CORNER [SHT 1]
F	2014/03/06	ADDED P/N TABLE [SHT 3 ]
G	2014/04/14	1. MODIFY DIM A OF 747540134 & 747540135 FROM 3.23 TO 2.80 [SHT 1] 2. MODIFY DIM B OF 747540134 & 747540135 FROM 0.40 TO 0.25 [SHT 3]
H	2014/06/06	ADDED PACKING INFORMATION [SHT 1]
J	2014/11/27	1. REMOVED P/N 74754-0135. [SHEET 1,3] 2. REMOVED ALL INCH UNIT. [SHEET 2]
K	2015/02/17	1. CHANGED 747540901 DIM.A FROM 2.00 TO 2.20mm. [SHEET 1] 2. P/N DESCRIPTION CHANGED AS "P/N AND WEEK/YEAR DATE CODE TO BE PRINTED / STAMPED ON THE SIDE OF COMPLETED CAGE ASSEMBLY AS SHOWN." [SHEET 1] 3. CHANGED 747548103 DIM A 9.47 TO 9.65 FROM TABLE @E6 [SHEET 3] 4. CHANGED 747548103 DIM B 0.43 TO 0.25 FROM TABLE @E5 [SHEET 3]
L	2016/02/29	1.REMASTERED FROM SD-74754-0103_REV 'K' 2.SHEET 1: ADDED WITHOUT ANY DISCOLORATION AFTER IR REFLOW TEST (REFER TO PS OF 747540001)
M	2016/05/12	SHEET 1 : A12 : ADDED 747540188 INTO P/N TABLE D13 : ADDED DIMENSION 11.50 REF SHEET 3 : D5 : ADDED 747540188 INTO P/N TABLE
N	2016/08/29	SEPERATED 747540188 TO 747540188 PSD ASY SHEET 1 : A12 : DELETED 747540188 FROM P/N TABLE SHEET 3 : D5 : DELETED 747540188 FROM P/N TABLE
P	2016/10/28	SHEET 1: A12: ADDED 747540906 ON P/N TABLE SHEET 2: ADDED A SHEET FOR P/N AND DATE CODE PRINTING SHEET 4: D5: ADDED 747540906 ON P/N TABLE
R	2017/09/04	SHEET 1: B14: ADDED "THICKNESS REFER P/N TABLE" TO THE NOTE. D3 : ADDED COLUMN "SF THICKNESS" TO THE P/N TABLE.
T	2019/07/08	SHEET 1 : ADDED 747540135 TO P/N TABLE. SHEET 2 : ADDED 747540135 TO P/N TABLE. SHEET 4 : ADDED 747540135 TO P/N TABLE.
T1	2019/08/05	SHEET 1 : C8 : ADDED 747540907 TO P/N TABLE. SHEET 3 : ADDED A NEW SHEET FOR 747540907. SHEET 5 : ADDED A NEW SHEET FOR 747540907. SHEET 6 : D6 : ADDED 747540907 TO P/N TABLE.
T2	2020/02/06	SHEET 1, SHEET 2 & SHEET 6: REMOVED OBSOLETE PART NUMBER S 747540901, 747548103 FROM P/N TABLE
U	2020/06/23	SHEET 1: C07: ADDED P/N 747540909 TO P/N TABLE. B10: ADDED P/N 747540909 TO TABLE. E06: ADDED P/N 747540909 TO TABLE. SHEET 7: ADDED A SHEET TO SHOW TAPE AND REEL DETAILS.

FUNCTIONAL SYMBOLS	THIS DRAWING CONTAINS INFORMATION THAT IS PROPRIETARY TO MOLEX ELECTRONIC TECHNOLOGIES, LLC AND SHOULD NOT BE USED WITHOUT WRITTEN PERMISSION			CURRENT REV DESC: SEE REVISION TABLE								
	FA = 0	mm	SCALE 1:1									
DIVISIONAL SYMBOLS	GENERAL TOLERANCES (UNLESS SPECIFIED)			EC NO: 640094 DRWN: TKUMARKC 2020/05/26 CHK'D: SMALLESHAPPA 2020/06/23 APPR: JCHIANG 2020/06/25				PRODUCT CUSTOMER DRAWING				
	FC = 0	ANGULAR TOL ± 1.0°										
DIVISIONAL SYMBOLS	4 PLACES ±			INITIAL REVISION: DRWN: BTEJA 2016/02/29 APPR: RCHEN08 2016/03/08				DOCUMENT NUMBER		DOC TYPE	DOC PART	REVISION
	3 PLACES ±							747540103		PSD	ASY	U
DIVISIONAL SYMBOLS	2 PLACES ± 0.15			DRAFT WHERE APPLICABLE MUST REMAIN WITHIN DIMENSIONS				MATERIAL NUMBER		CUSTOMER		SHEET NUMBER
	1 PLACE ± 0.25							D-SIZE 74754		SEE P/N TABLE		8 OF 8
0 PLACES ±			THIRD ANGLE PROJECTION			SERIES		CUSTOMER		SHEET NUMBER		