

2 & 3
CIRCUITS

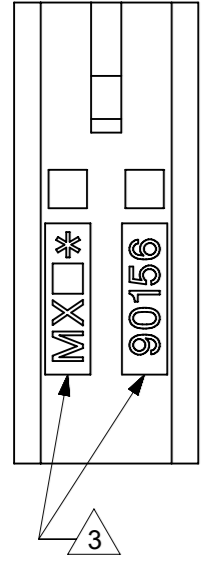
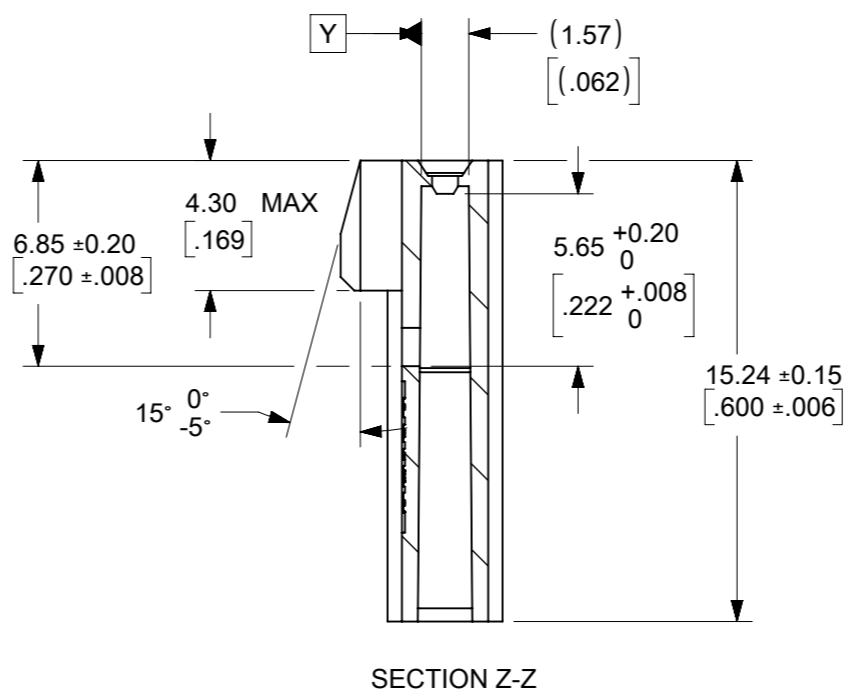
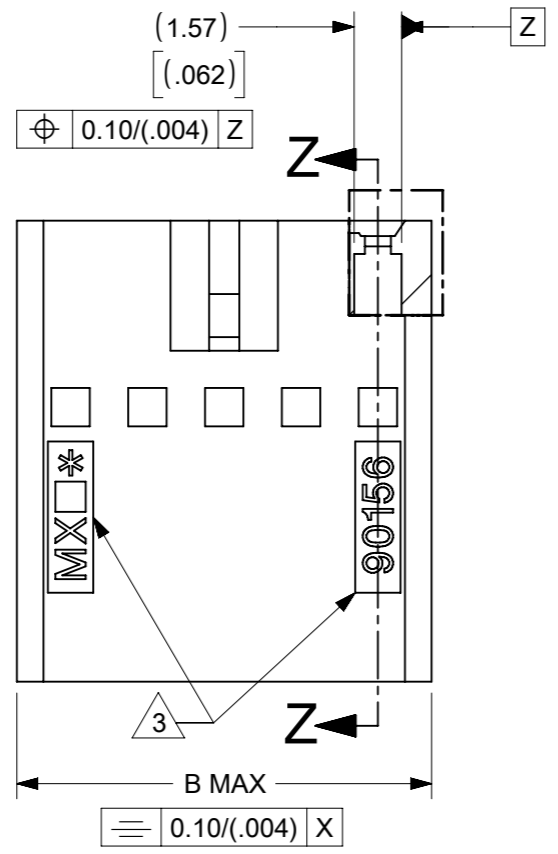
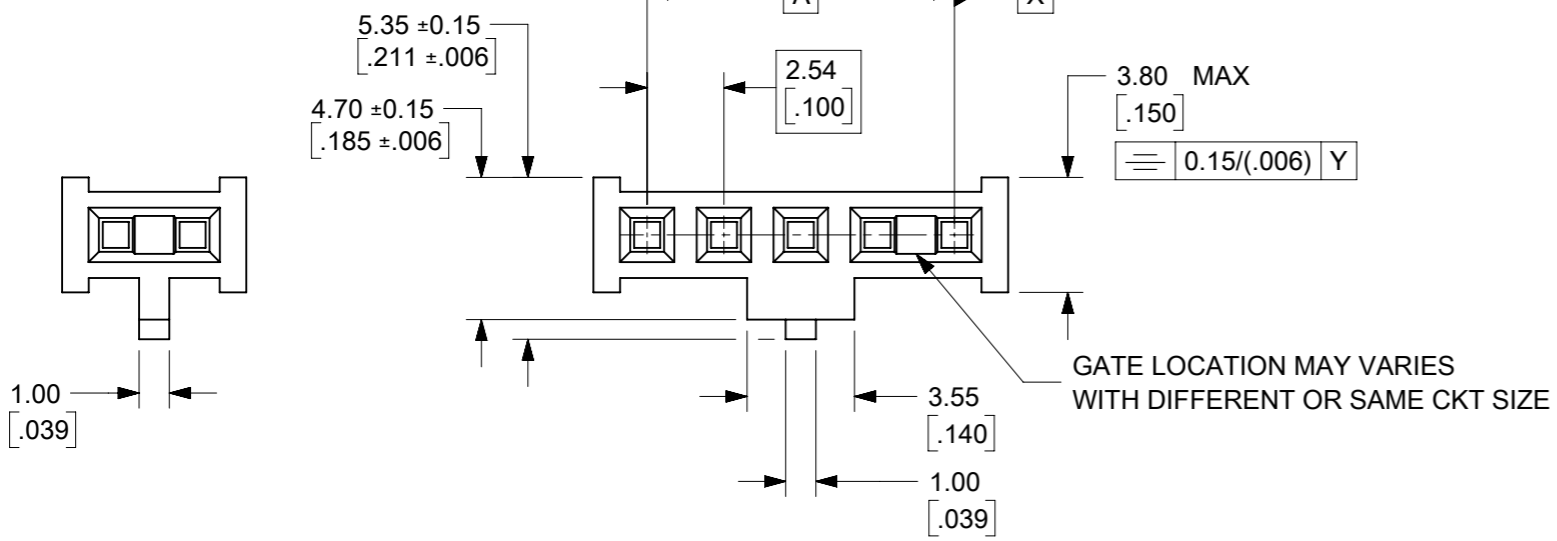
4 TO 32
CIRCUITS

PART NUMBER:
90156-XXXX

CIRCUIT SIZE
REF.NO
(SEE CHART)

MATERIAL CODE:
SEE NOTE 1

| No. OF CKTS | PART NUMBER | DIM A | DIM B |
|-------------|-------------|---------------|---------------|
| 2 | 90156-XX42 | 2.54/(.100) | 6.14/(.242) |
| 3 | ▲ -XX43 | 5.08/(.200) | 8.68/(.342) |
| 4 | -XX44 | 7.62/(.300) | 11.22/(.442) |
| 5 | -XX45 | 10.16/(.400) | 13.76/(.542) |
| 6 | -XX46 | 12.70/(.500) | 16.30/(.642) |
| 7 | -XX47 | 15.24/(.600) | 18.84/(.742) |
| 8 | -XX48 | 17.78/(.700) | 21.38/(.842) |
| 9 | -XX49 | 20.32/(.800) | 23.92/(.942) |
| 10 | -XX50 | 22.86/(.900) | 26.46/(1.042) |
| 11 | | | |
| 12 | -XX52 | 27.94/(1.100) | 31.54/(1.242) |
| 13 | -XX53 | 30.48/(1.200) | 34.08/(1.342) |
| 14 | -XX54 | 33.02/(1.300) | 36.62/(1.442) |
| 15 | -XX55 | 35.56/(1.400) | 39.16/(1.542) |
| 16 | -XX56 | 38.10/(1.500) | 41.70/(1.642) |
| 17 | | | |
| 18 | -XX58 | 43.18/(1.700) | 46.78/(1.842) |
| 19 | | | |
| 20 | -XX60 | 48.26/(1.900) | 51.86/(2.042) |
| 21 | | | |
| 22 | -XX62 | 53.34/(2.100) | 56.94/(2.242) |
| 23 | | | |
| 24 | | | |
| 25 | -XX65 | 60.96/(2.400) | 64.56/(2.542) |
| 26 | | | |
| 27 | | | |
| 28 | | | |
| 29 | | | |
| 30 | -XX70 | 73.66/(2.900) | 77.26/(3.042) |
| 31 | | | |
| 32 | 90156-XX72 | 78.74/(3.100) | 82.34/(3.242) |



- NOTES:
- MATERIAL CODE XX: 90156 - XX ** :
01 - POLYPHENYLENE OXIDE (PPO) UL94 V-1 COLOR: BLACK
10 - GLOW WIRE OPTION POLYESTER (PBT) UL94 V-2 COLOR: NATURAL
 - PRODUCT SPECIFICATION: PS-99020-0001
 - ▲ MOLEX LOGO, SERIES NUMBER AND CAVITY ID TO BE PLACED ON THIS FACE.

| | | | | | | | |
|---------------------------------------|--|---|--|------------------------|--|---|--|
| FUNCTIONAL SYMBOLS | | THIS DRAWING CONTAINS INFORMATION THAT IS PROPRIETARY TO MOLEX ELECTRONIC TECHNOLOGIES, LLC AND SHOULD NOT BE USED WITHOUT WRITTEN PERMISSION | | CURRENT REV DESC: | | | |
| DIMENSION UNITS | | SCALE | | EC NO: 742393 | | | |
| GENERAL TOLERANCES (UNLESS SPECIFIED) | | MM | | INCH | | C GRID III SINGLE ROW CRIMP CONNECTOR HOUSING | |
| DIVISIONAL SYMBOLS | | 4 PLACES ± | | ± 0.004 | | PRODUCT CUSTOMER DRAWING | |
| | | 3 PLACES ± | | ± 0.004 | | DOCUMENT NUMBER | |
| | | 2 PLACES ± | | 0.2 | | SDA-90156 | |
| | | 1 PLACE ± | | ± | | DOC TYPE | |
| | | 0 PLACES ± | | ± | | PSD | |
| | | ANGULAR TOL ± 2.0° | | | | DOC PART | |
| | | DRAFT WHERE APPLICABLE MUST REMAIN WITHIN DIMENSIONS | | THIRD ANGLE PROJECTION | | REVISION | |
| | | | | DRAWING | | 001 | |
| | | | | SERIES | | R2 | |
| | | | | MATERIAL NUMBER | | SHEET NUMBER | |
| | | | | 90156 | | 1 OF 1 | |
| | | | | CUSTOMER | | | |
| | | | | GENERAL MARKET | | | |